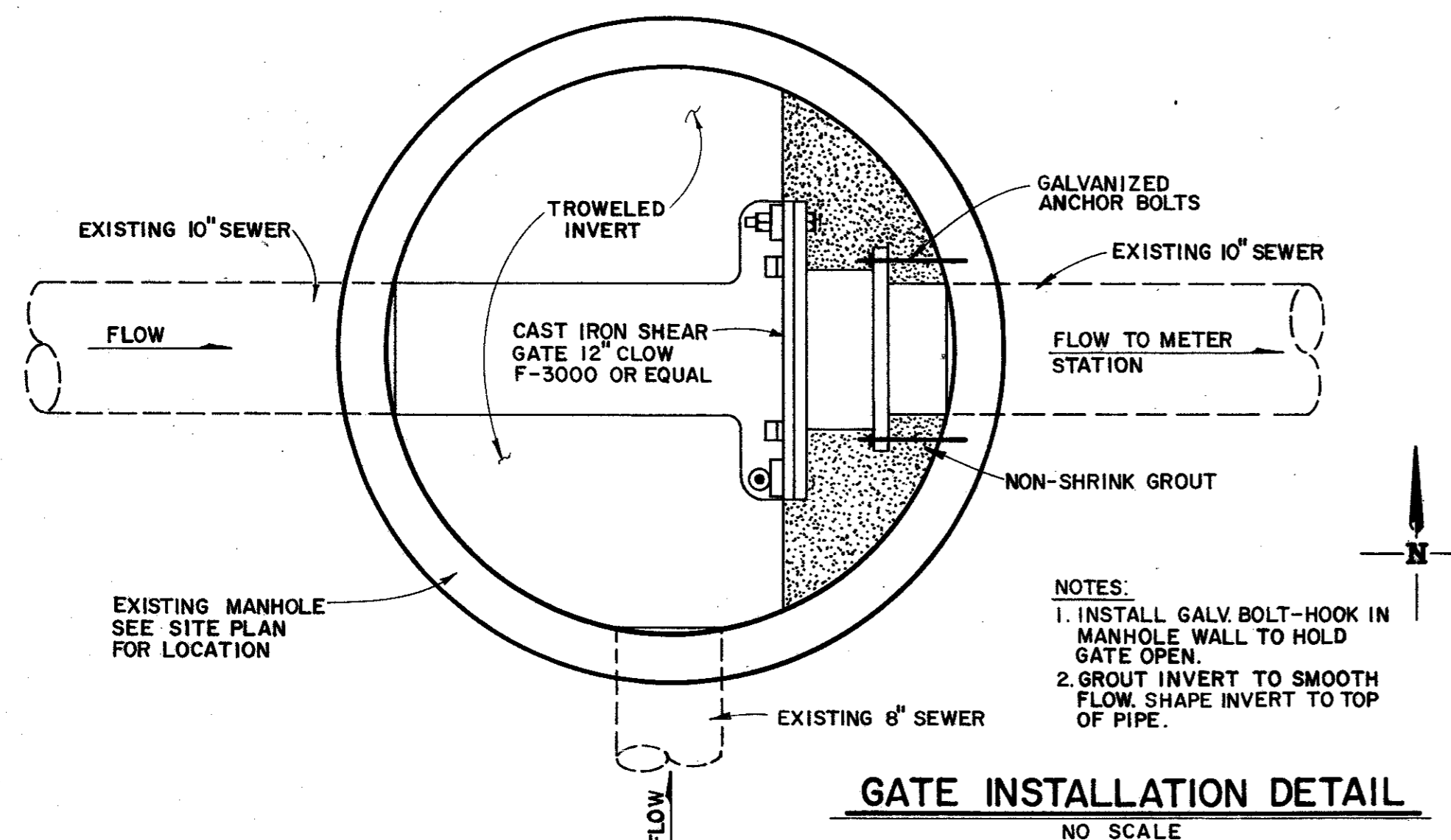
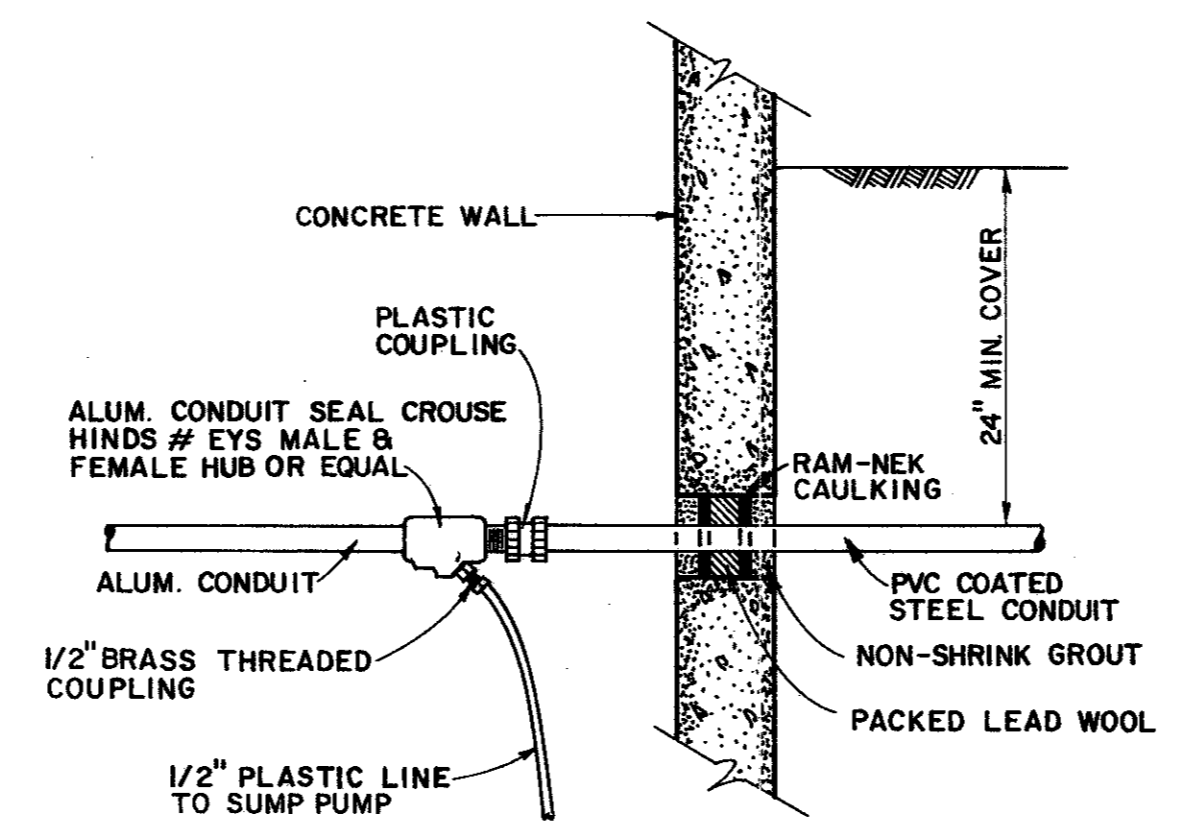


**SITE PLAN**  
SCALE: 1"=20'

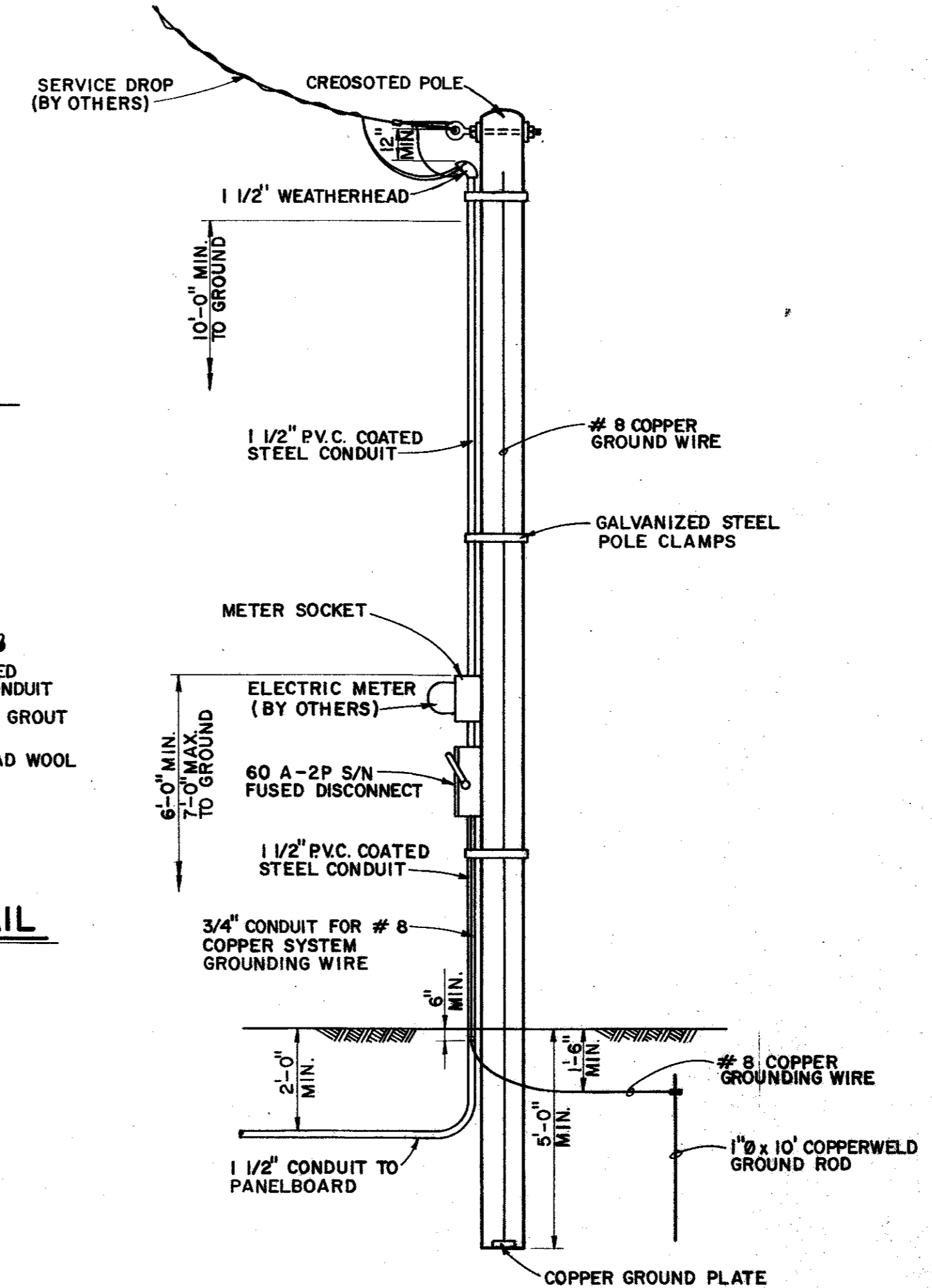


**GATE INSTALLATION DETAIL**  
NO SCALE

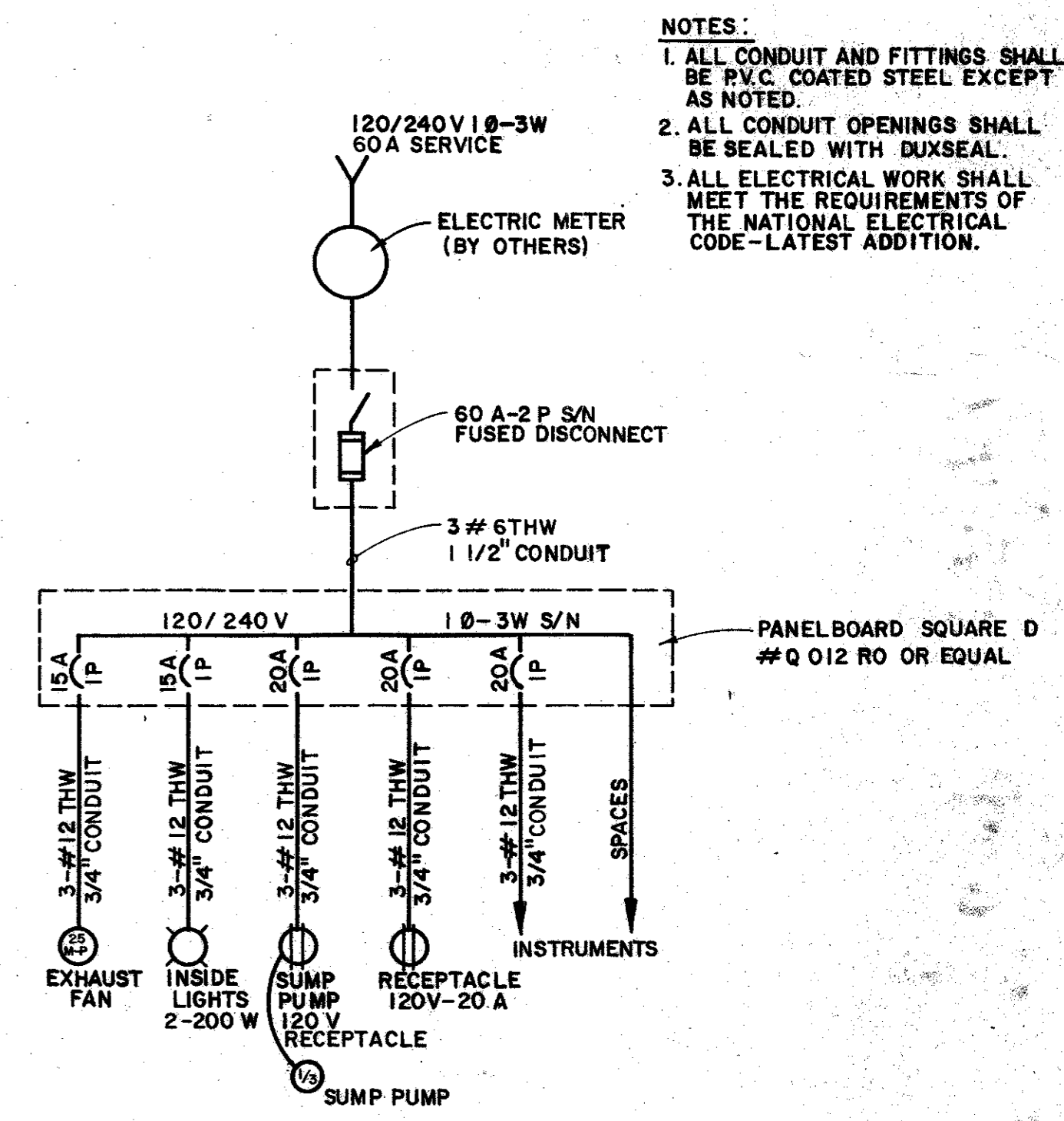
- NOTES:  
1. INSTALL GALV. BOLT-HOOK IN MANHOLE WALL TO HOLD GATE OPEN.  
2. GROUT INVERT TO SMOOTH FLOW. SHAPE INVERT TO TOP OF PIPE.



**CONDUIT ENTRANCE AND DRAIN DETAIL**  
NO SCALE



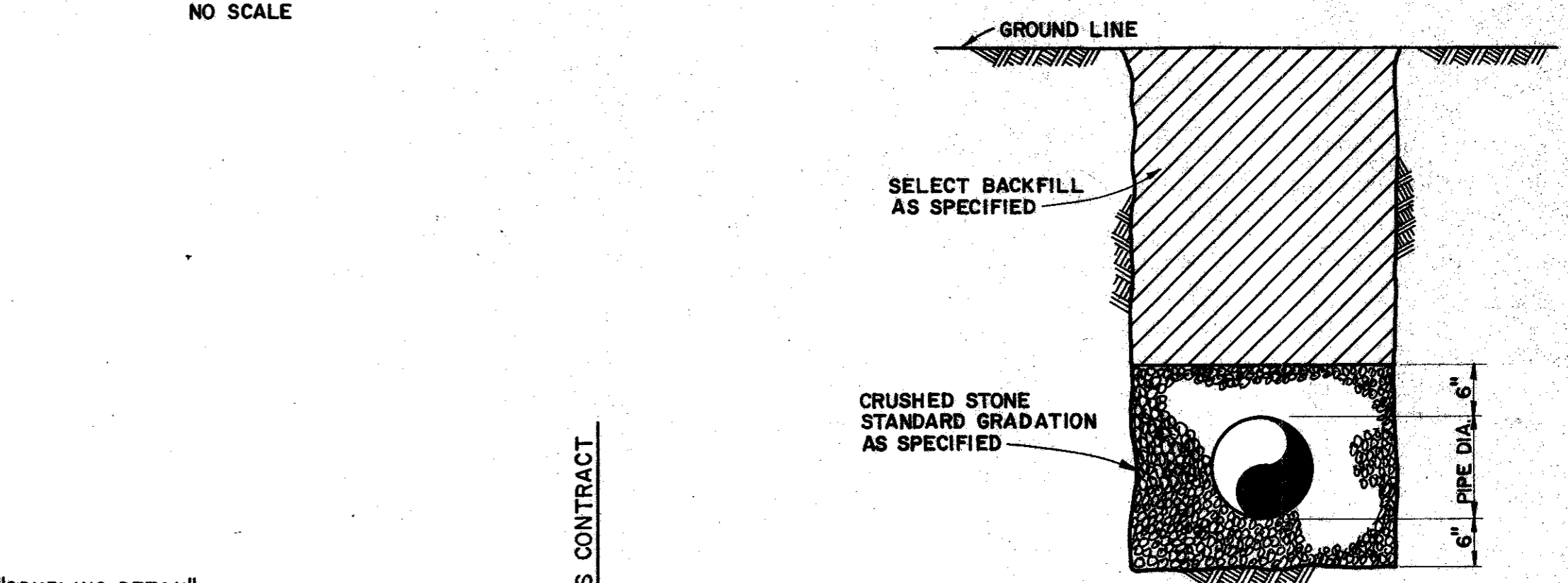
**SERVICE POLE DETAIL**  
NO SCALE



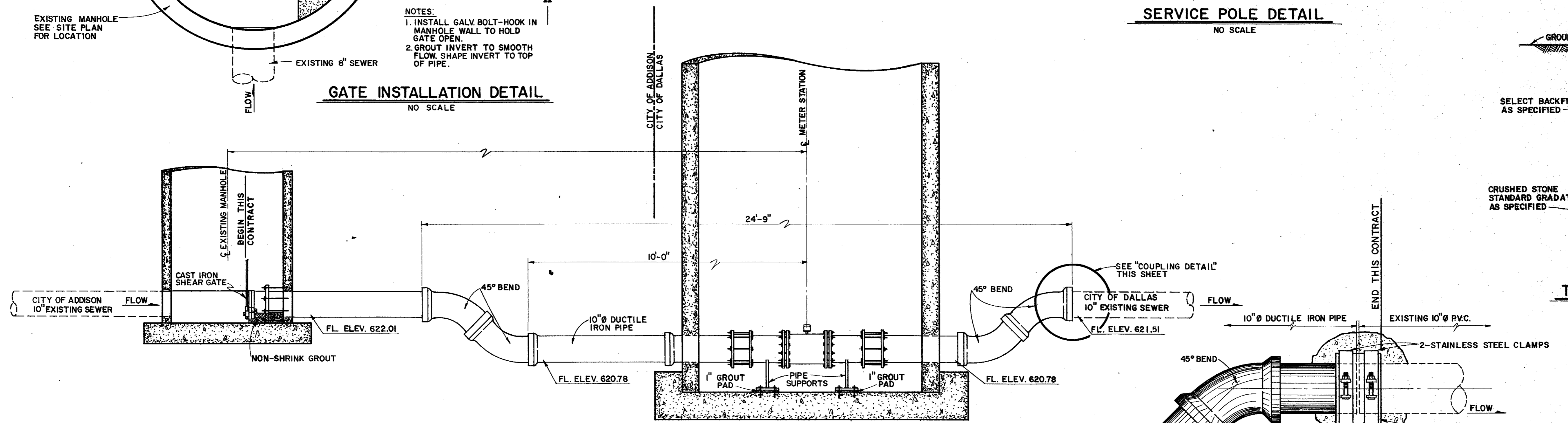
**ELECTRICAL DIAGRAM**  
NO SCALE

- NOTES:  
1. ALL CONDUIT AND FITTINGS SHALL BE P.V.C. COATED STEEL EXCEPT AS NOTED.  
2. ALL CONDUIT OPENINGS SHALL BE SEALED WITH DUXSEAL.  
3. ALL ELECTRICAL WORK SHALL MEET THE REQUIREMENTS OF THE NATIONAL ELECTRICAL CODE-LATEST ADDITION.

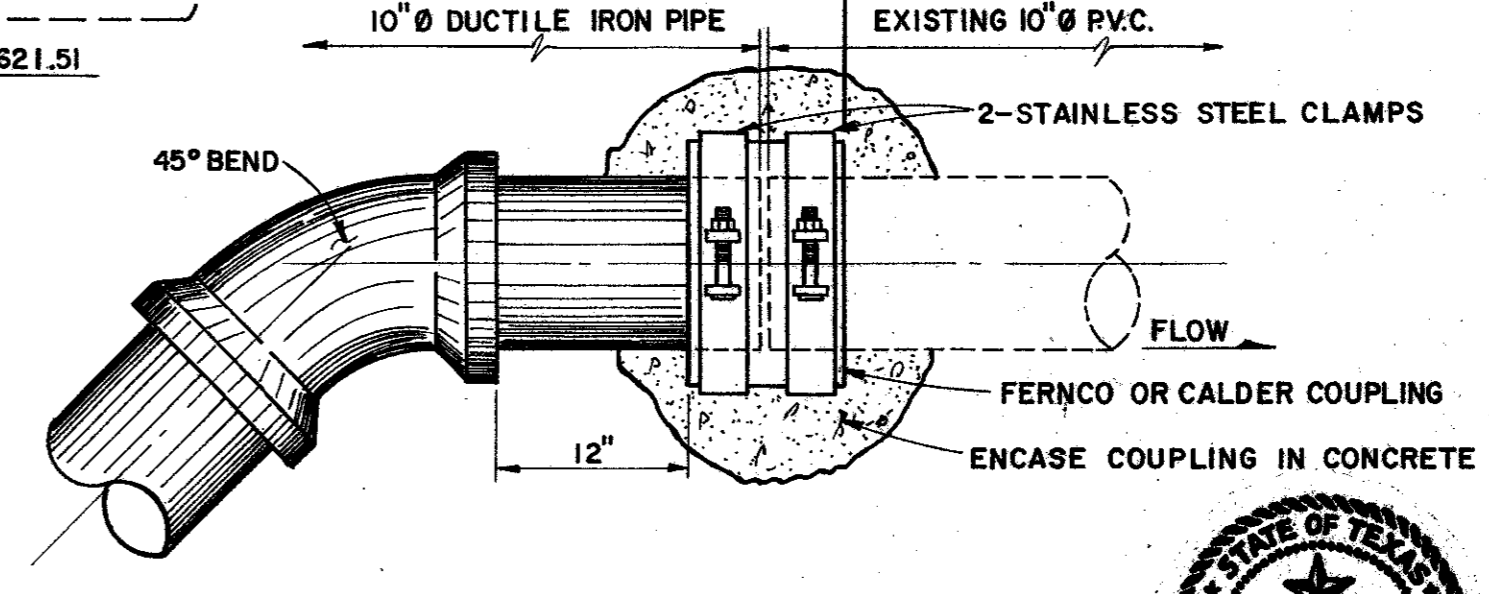
**PRELIMINARY**  
NOT FOR CONSTRUCTION



**TYPICAL BEDDING DETAIL**  
NO SCALE



**PROFILE**  
SCALE: 1/2"=1'-0"



**COUPLING DETAIL**  
SCALE: 1"=1'-0"

CITY OF DALLAS FILE NO. 681Q-21-S.1

CITY OF ADDISON  
DALLAS COUNTY, TEXAS

SEWER IMPROVEMENTS

ACADEMY DRIVE WASTEWATER  
METER STATION SITE  
PLAN AND DETAILS

GINN & STACY, INC.  
CONSULTING ENGINEERS - DALLAS, TEXAS

Designed By: J.O.S. Scale: As Shown  
Drawn By: G.L.H. Date: 1978 Sheet 3 of 3

