

THE SEAL APPEARING ON THIS DOCUMENT WAS AUTHORIZED BY THE BOARD OF ENGINEERING EXAMINERS AND IS VALID ONLY AS A SCALED DOCUMENT WITHOUT THE PROPER NOTIFICATION TO THE RESPONSIBLE ENGINEER IS AN OFFENSE UNDER THE TEXAS ENGINEERING PRACTICE ACT.

EROSION CONTROL PLAN
ADDISON ATHLETIC CLUB
EXPANSION & LEISURE POOL
 ADDISON, TEXAS

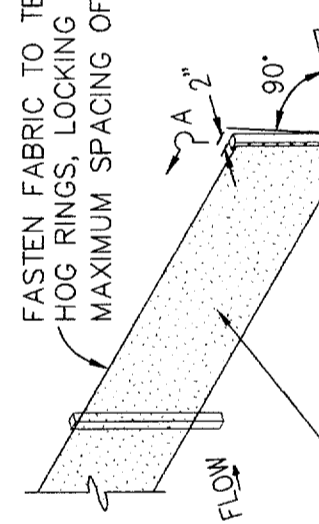
R-DELTA ENGINEERS, INC.
 616 MAIN STREET
 GARLAND, TEXAS 75040
 Phone (972) 494-5031
 www.rdelta.com

DESIGNER:	CTL	CHECK:	JRP	SCALE:	1"=30'
DRAWN:	CCM	DATE:	FEBRUARY, 2002	PROJECT:	882-01
					8 of 11

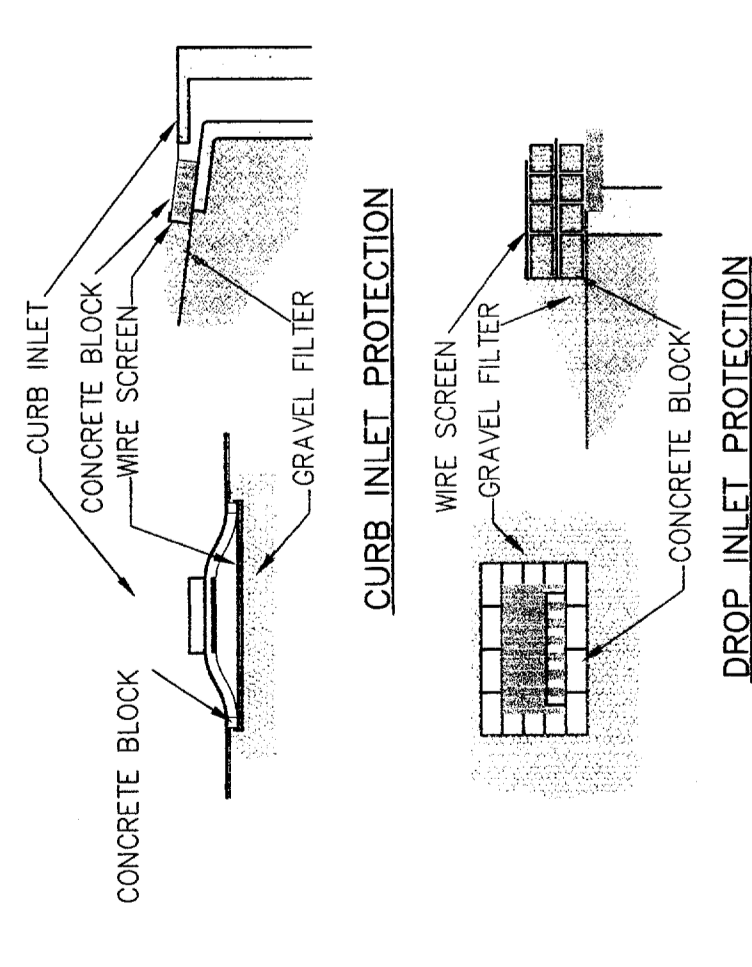
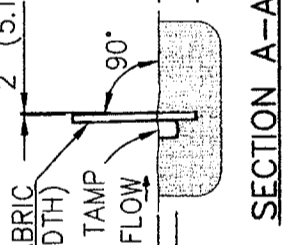
- CONSTRUCTION NOTES - SILT FENCE**
- POSTS WHICH SUPPORT THE SILT FENCE SHALL BE INSTALLED ON THE POST A SLIGHT ANGLE TOWARD THE ANTICIPATED RUNOFF SOURCE.
 - THE TOP OF THE SILT FENCE SHALL BE TRENCHED IN WITH A SPADE OR MECHANICAL TRENCHER, SO THAT THE DOWN-SLOPE FACE OF THE TRENCH CANNOT BE REACHED IN (E.G. PAVEMENT), WEIGHT FABRIC FAP WITH WASHED GRAVEL ON THE UPHILL SIDE TO PREVENT FLOW UNDER FENCE.
 - WIRE TRENCH SHALL BE AT LEAST 6" DEEP AND SHALL BE LAD IN THE GROUND AND BACKFILLED WITH COMPACTED MATERIAL.
 - POSTS TO WHICH FABRIC IS ATTACHED TO EACH SUPPORT SHALL BE 4.8 INCH DOUBLE OVERLAP. SECURELY FASTEN TO WOODEN POSTS WHICH SHALL BE 4.8 INCH DOUBLE OVERLAP.
 - INSPECTION SHALL BE MADE WEEKS OR AFTER EACH RAINFALL. REPAIR OR REPLACEMENT SHALL BE MADE PROMPTLY AS NEEDED.
 - STABILIZED SOILS NOT TO BLOCK OR IMPURE STORM FLOW OR DRAINAGE.
 - ACCUMULATED SILT SHALL BE REMOVED WHEN IT REACHES A DEPTH OF 6 INCHES. THE SILT SHALL BE DISTRIBUTED TO AN ADDITIONAL SITUATION, IN SUCH A MANNER AS TO NOT CONTRIBUTE TO ADDITIONAL SITUATION.

NOTES:
 THE CONTRACTOR SHALL PROVIDE ANY ADDITIONAL EROSION OR POLLUTION CONTROL DEVICES AS REQUIRED DURING THE CONSTRUCTION PHASE IN ORDER TO COMPLETELY CONFORM TO ALL APPLICABLE REGULATIONS AND ORDINANCES OF THE AGENCY AND ALL OTHER AGENCIES HAVING JURISDICTION. CONTRACTOR AND OWNER SHALL FILE N.O.I. PER EPA REQUIREMENTS.

4. (1.2 m) MIN. STEEL OR WOOD POSTS SPACED AT 5' (1.8 m) TO 8' (2.4 m) SOFTWOOD POSTS SHALL BE 3" (7.6 cm) MIN. IN. DIA. OR NOMINAL 2"x4" (5.1 cm x 10.2 cm). HARDWOOD POSTS SHALL HAVE A MIN. CROSS SECTION OF 1.5 X1.5" (3.8 cm x 3.8 cm).



- ATTACH THE WOVEN FABRIC USING PENNY SPACED STAPLES OR LOCKING PLASTIC TIES FOR WOODEN POSTS AT A MAX. SPACING OF 6" (15.2 cm). USE LOCKING PLASTIC TIES OR STAPLES AT SAME SPACING FOR STEEL POSTS AT SAME SPACING.
- 3' (91.4 cm) MIN. WIDTH
 8" (20.3 cm) MIN. HEIGHT
 6" (15.2 cm) MIN. SPACING
 OR ANCHOR IF IN ROCK



BLOCK AND GRAVEL PROTECTION CONCRETE BLOCKS ARE TO BE PLACED ON THEIR SIDES IN A SINGLE ROW AROUND THE PERIMETER OF THE INLET, WITH ENDS ABUTTING. ALL OPENING IN THE BLOCKS SHOULD FACE OUTWARD, NOT UPWARD. WIRE SCREENS SHALL BE PLACED ON TOP OF THE BLOCKS AND SHALL BE COVERED WITH STONE. FILTERS SHALL THEN BE FILLED AGAINST THE WIRE MESH TO THE TOP OF THE BLOCKS WITH THE STONE BEING A MINIMUM OF 18 INCHES FROM THE BLOCKS. PERIODICALLY, WHEN THE STONE FILTERS ARE FULL, THEY SHALL BE CLEANED OR REPLACED WITH NEW STONE AND FILLED BACK AGAINST THE WIRE MESH.