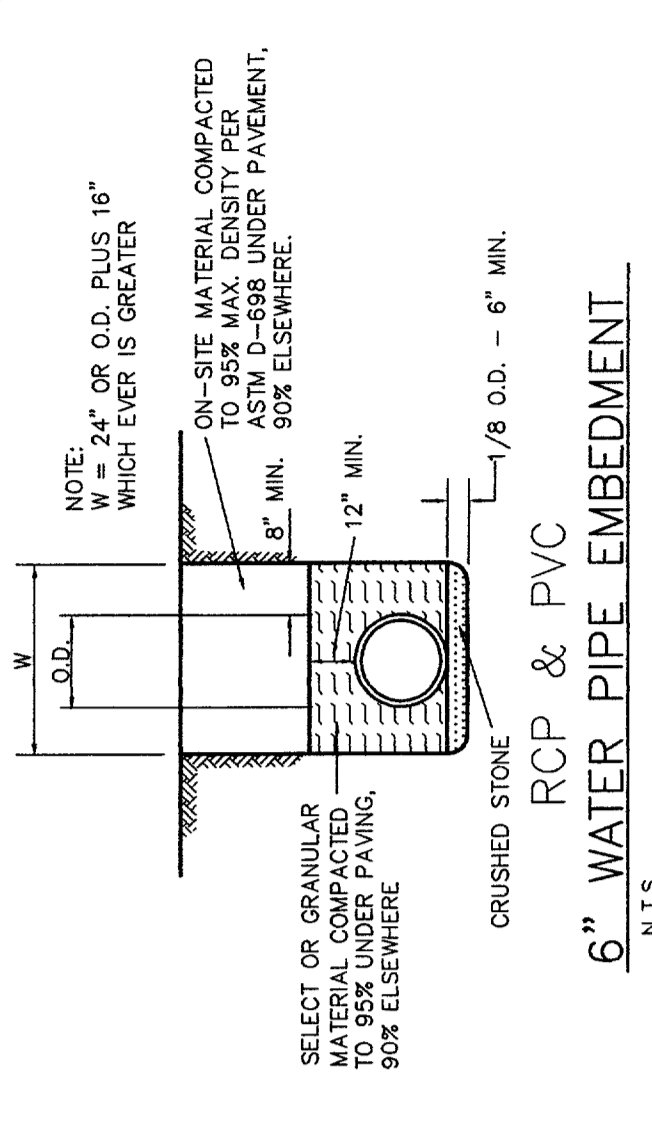
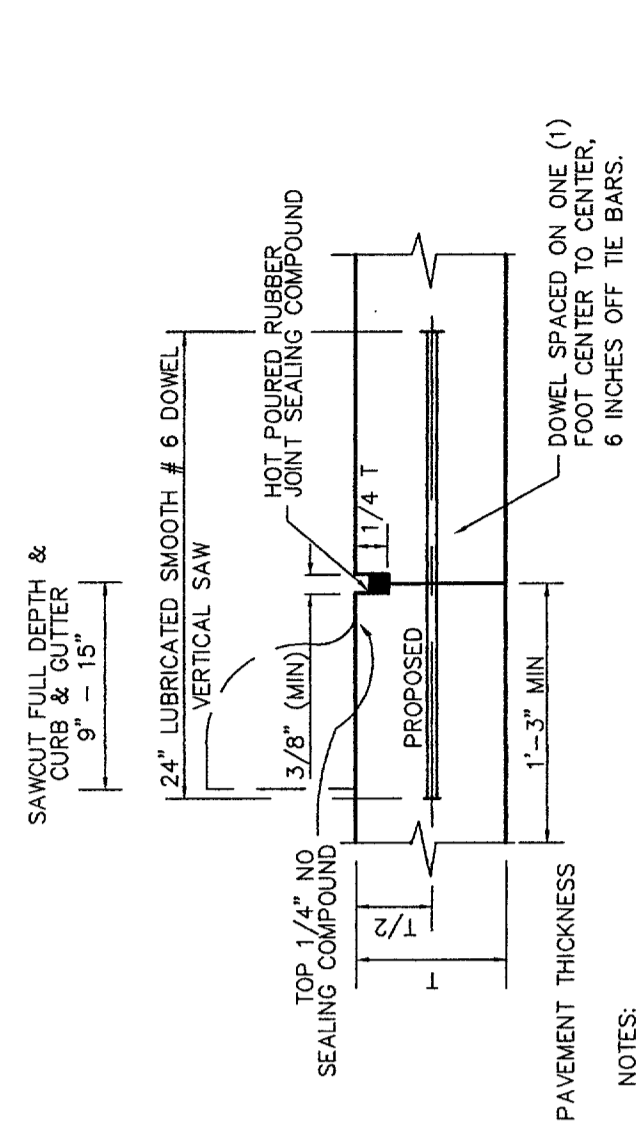


STORM AND SANITARY SEWER PIPE  
EMBEDMENT-PVC AND POLYETHYLENE  
N.T.S.



6" WATER PIPE EMBEDMENT  
N.T.S.



LONGITUDINAL BUTT JOINT  
N.T.S. LOCATED AS INDICATED.

NOTES:  
1. NO. 5 SMOOTH DOSEL BAR MAY BE USED IN 5 INCH AND 8 INCH PAVEMENT THICKNESS.  
2. PAVEMENT THICKNESS CONSTRUCTION MAY BE UTILIZED IN PLACE OF LONGITUDINAL HINGED (KEYWAY) JOINT AT CONTRACTOR'S OPTION.  
3. DOSEL LEADS SHALL BE DRILLED INTO PAVEMENT HORIZONTALLY BY USE OF DRILLING BIT AND IS NOT ACCEPTABLE. RISING DOSEL BARS INTO GREEN CONCRETE NOT ACCEPTABLE.

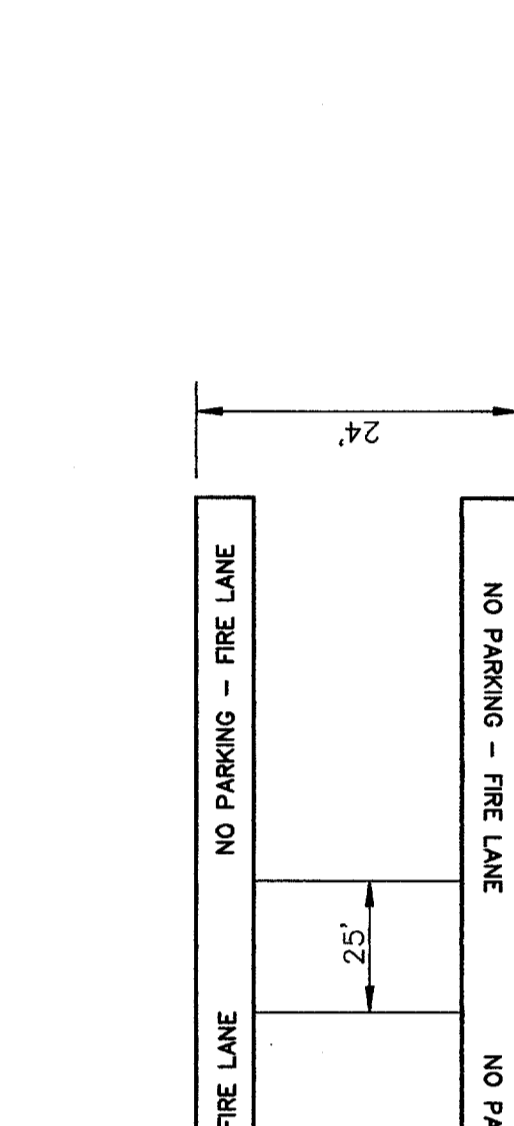


THE SEAL APPEARING ON THIS DOCUMENT WAS AUTHORIZED BY THE BOARD OF ENGINEERING EXAMINERS OF THE STATE OF TEXAS. IT IS HEREBY CERTIFIED THAT THE ENGINEER HAS REVIEWED THIS DOCUMENT AND THAT HE IS A REGISTERED PROFESSIONAL ENGINEER IN THE STATE OF TEXAS. THE SEALING OF THIS DOCUMENT WITHOUT THE PROPER NOTIFICATION TO THE BOARD OF ENGINEERING EXAMINERS IS AN OFFENSE UNDER THE TEXAS ENGINEERING PRACTICE ACT.

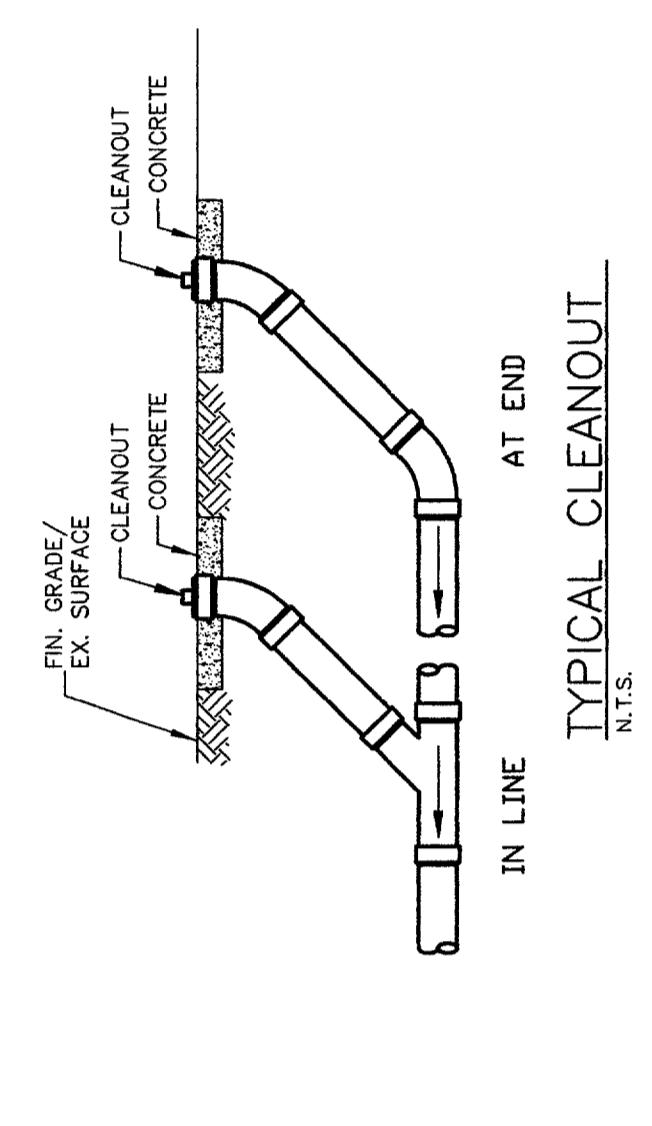
CONSTRUCTION DETAILS  
ADDISON ATHLETIC CLUB  
EXPANSION & LEISURE POOL  
ADDISON, TEXAS

R-DELTA ENGINEERS, INC.  
618 MAIN STREET GARLAND, TEXAS 75040  
Phone (972) 494-5031 www.rdelta.com

DESIGN:	CTL	CHECK:	JRP	SCALE:	1"=30'	DATE/FEBRUARY, 2002	PROJECT:	982-01	11 of 11
DRAWN:	CEN								



FIRE LANE PAVEMENT  
MARKING DETAIL  
N.T.S.

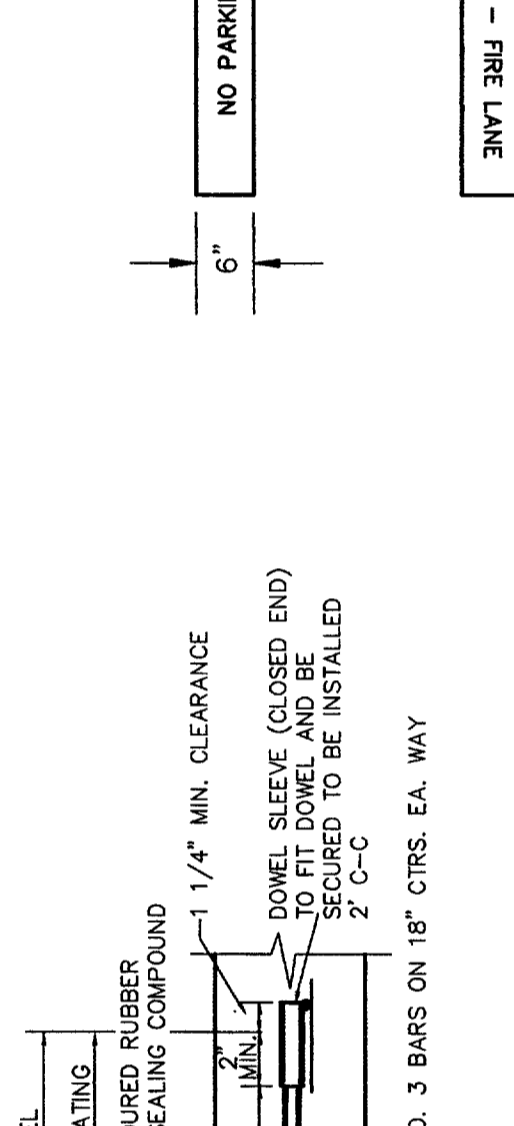


TYPICAL CLEANOUT  
N.T.S.

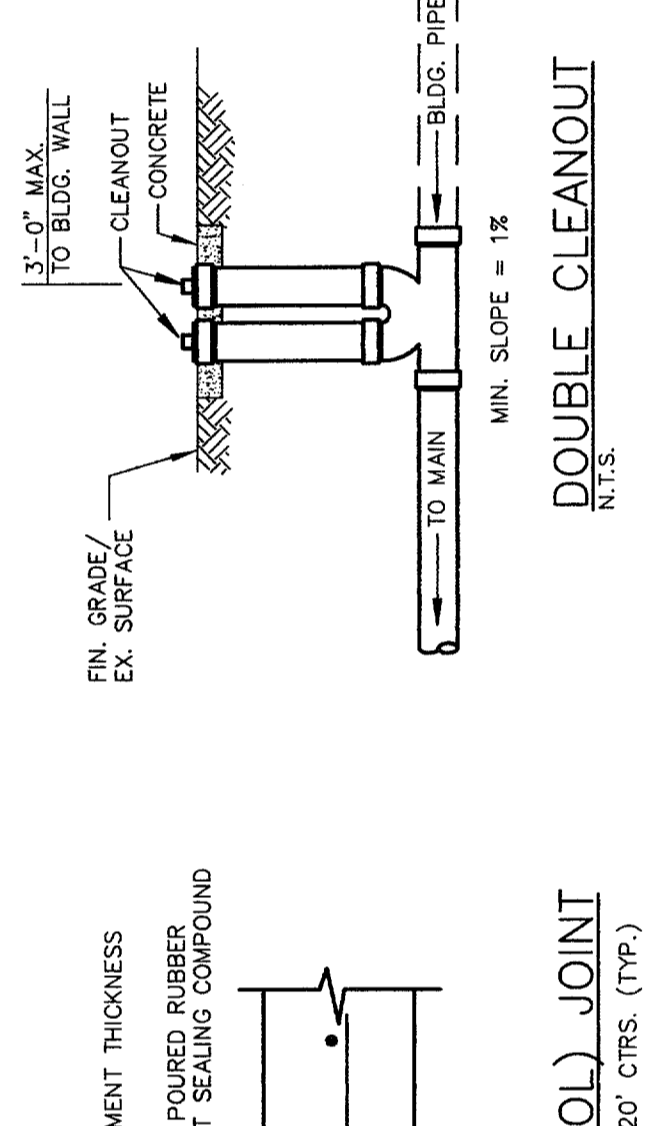


DOUBLE CLEANOUT  
N.T.S.

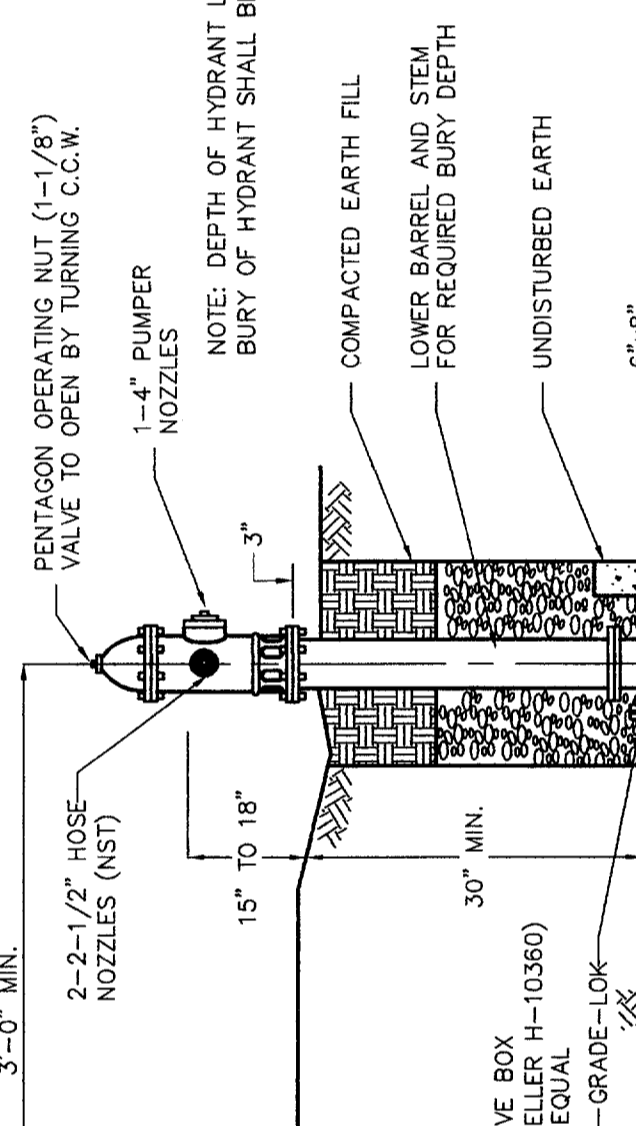
NOTE: THE MUELLER "CENTURION" OR EQUAL FOR FIRE HYDRANTS FOR ORDINARY WATER SERVICE SHALL BE USED IN ALL STANDARD SPECIFICATIONS FOR FIRE HYDRANTS. FIRE HYDRANTS WITH A BARE APPROXIMATELY EQUAL DIAMETER BREAKAWAY FLANGE. ALL HYDRANTS SHALL BE INSTALLED IN ACCORDANCE WITH STANDARD SPECIFICATIONS AND SPECIAL PROVISIONS.



EXPANSION JOINT  
N.T.S. LOCATED AS INDICATED.

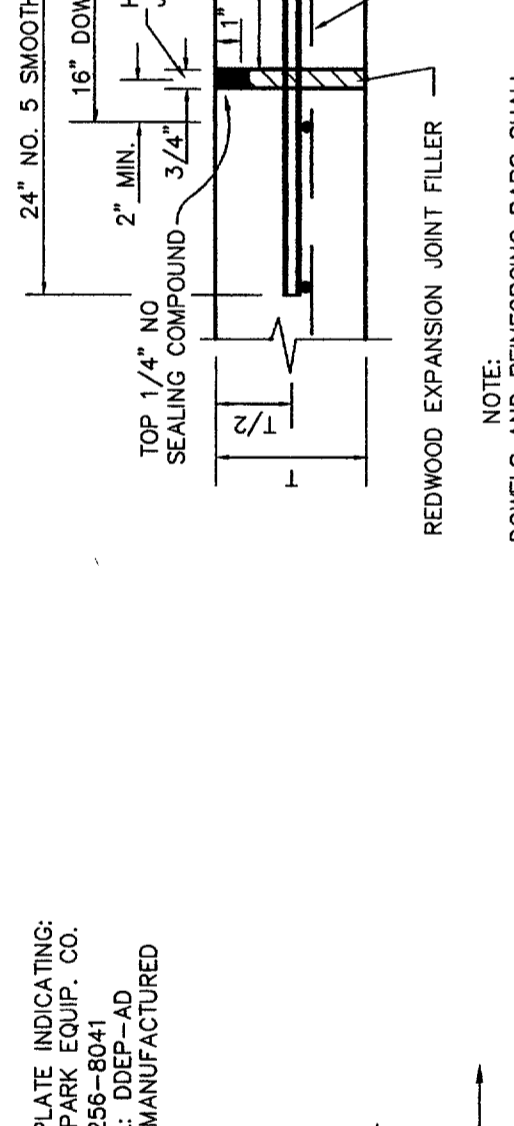


SAWED DUMMY JOINT  
N.T.S. MAXIMUM SPACING IS 20' CTRS. (TYP.)



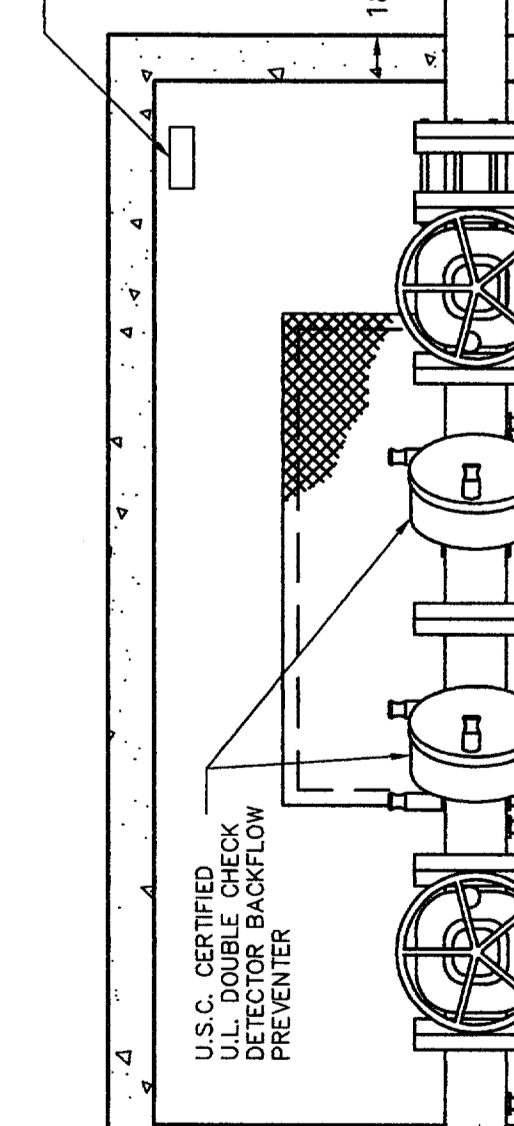
FIRE HYDRANT INSTALLATION  
N.T.S.

NOTE: THE MUELLER "CENTURION" OR EQUAL FOR FIRE HYDRANTS FOR ORDINARY WATER SERVICE SHALL BE USED IN ALL STANDARD SPECIFICATIONS FOR FIRE HYDRANTS. FIRE HYDRANTS WITH A BARE APPROXIMATELY EQUAL DIAMETER BREAKAWAY FLANGE. ALL HYDRANTS SHALL BE INSTALLED IN ACCORDANCE WITH STANDARD SPECIFICATIONS AND SPECIAL PROVISIONS.

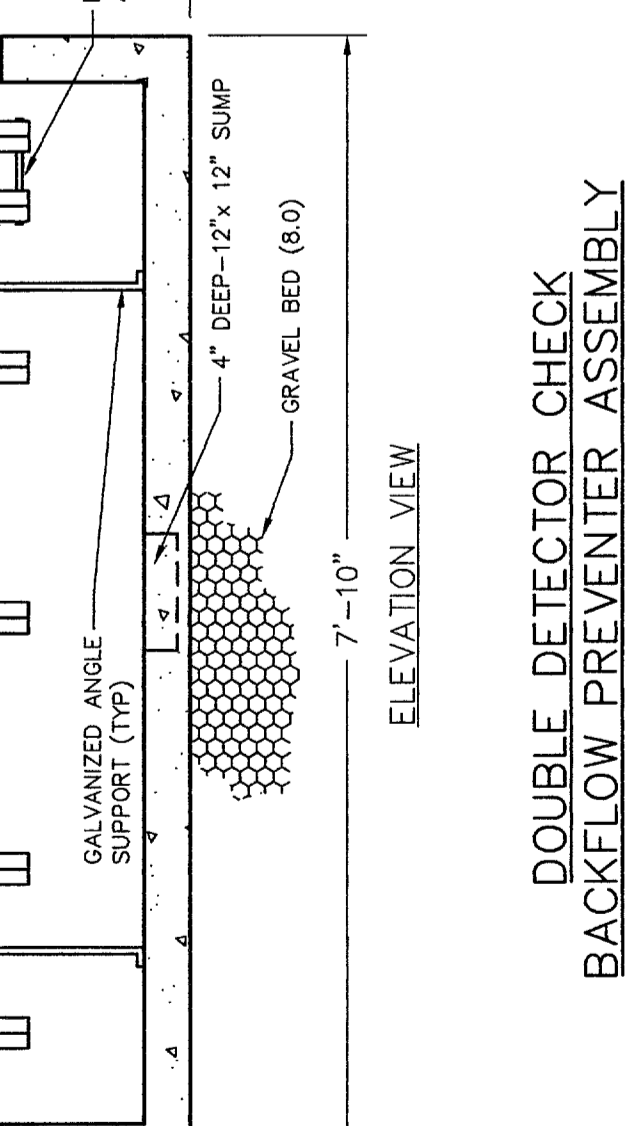
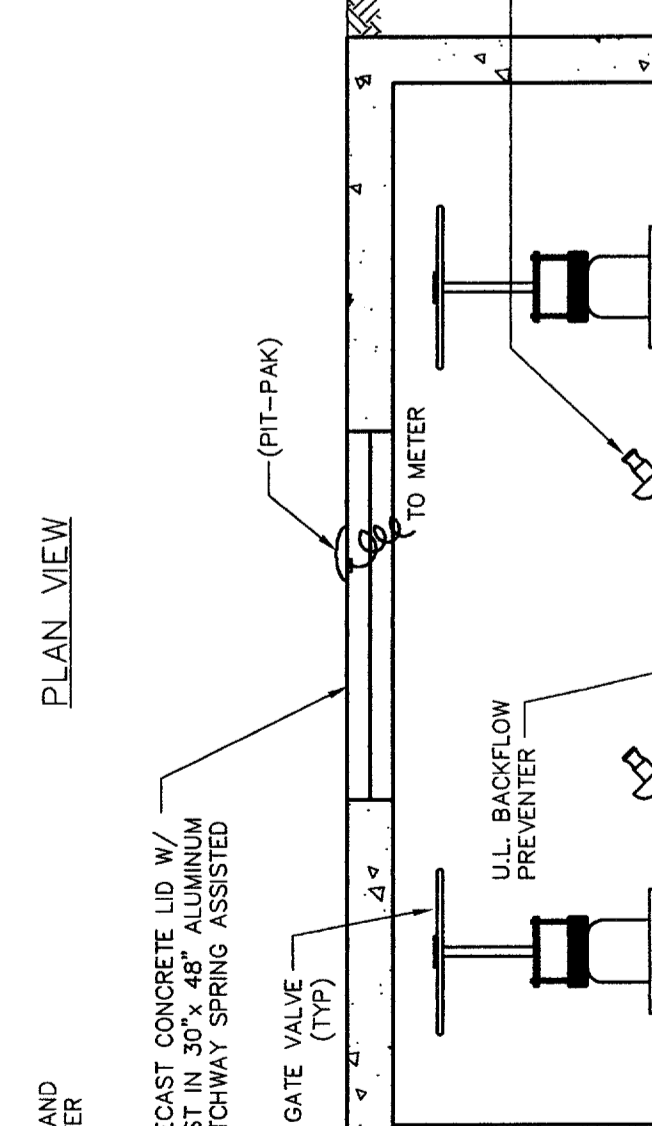


VALVE BOX DETAIL  
N.T.S.

VALVES AND VALVE BOXES: REFERENCE TO SPECIFICATION #9V-95.1  
VALVE BOXES SHALL BE CAST IRON AND SHALL BE OF THE TYPE SHOWN. VALVE BOXES SHALL BE MARKED "WATER" IN THE GROUND. VALVE BOXES SHALL BE FLUSH WITH THE FINISHED GRADE.

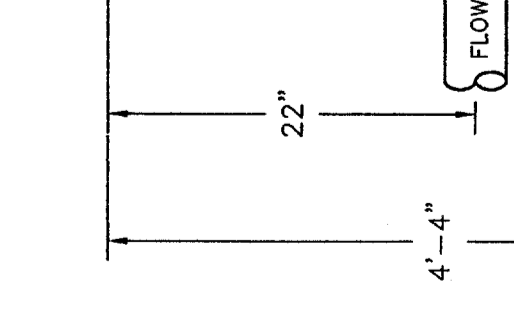


DOUBLE DETECTOR CHECK  
BACKFLOW PREVENTER ASSEMBLY  
N.T.S.

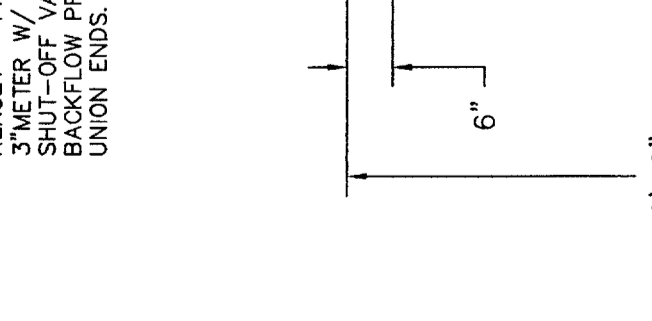


CONCRETE PAVEMENT SECTION  
N.T.S.

NOTE: SURFACED SCARPED AND COMPACTED TO 6\"/>

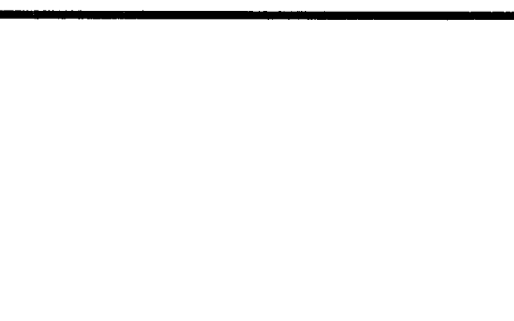


EXPANSION JOINT - SIDEWALK  
N.T.S.

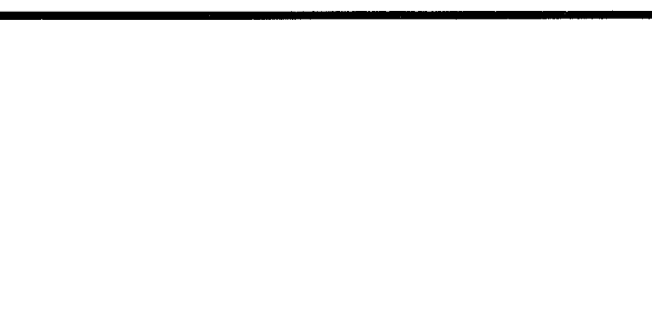


TYPICAL SIGNAGE MOUNTING DETAIL  
N.T.S.

NOTE: ALL HONEYCOMB IN BACK OF CURB TO BE 5\"/>



CAST IN PLACE MANHOLE  
N.T.S.



CONSTRUCTION JOINT  
N.T.S.

NOTE: DROP M.H. IS REQUIRED. USE INSIDE DROP CONNECTION AS PER TOWN OF ADDISON STANDARDS.