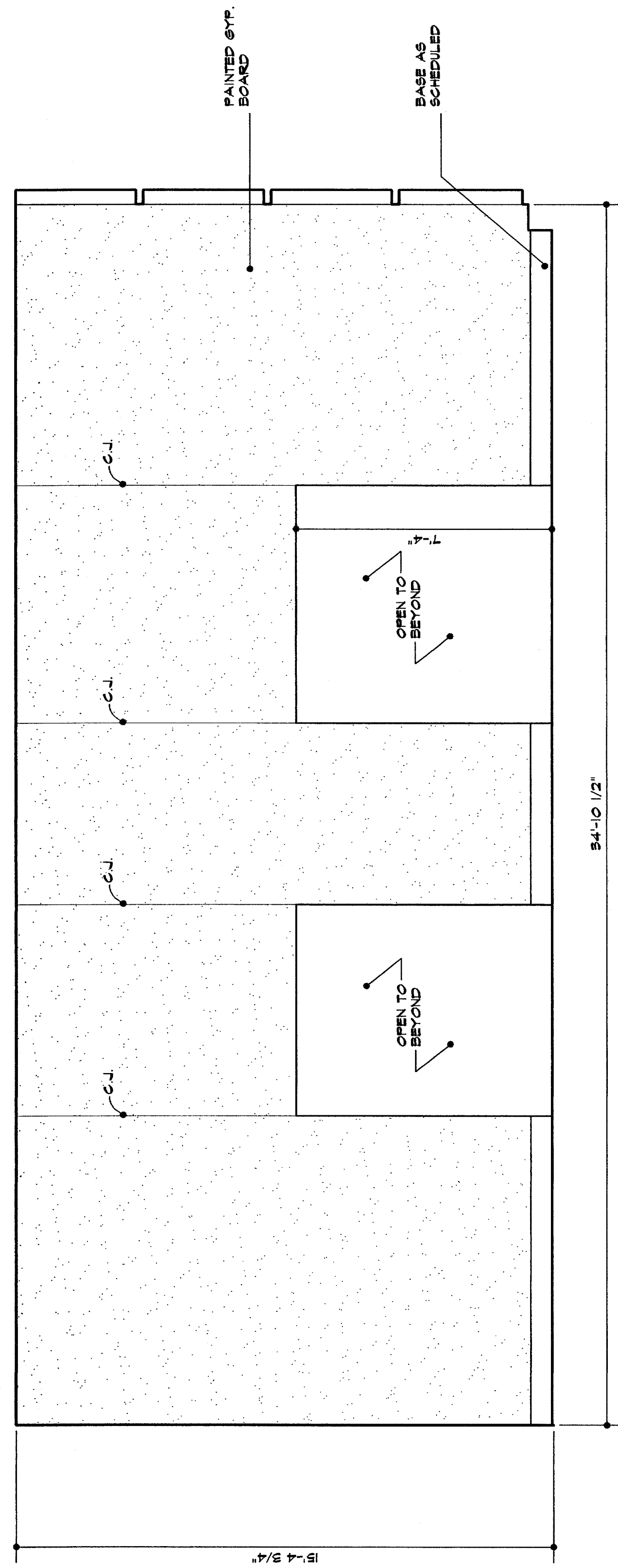
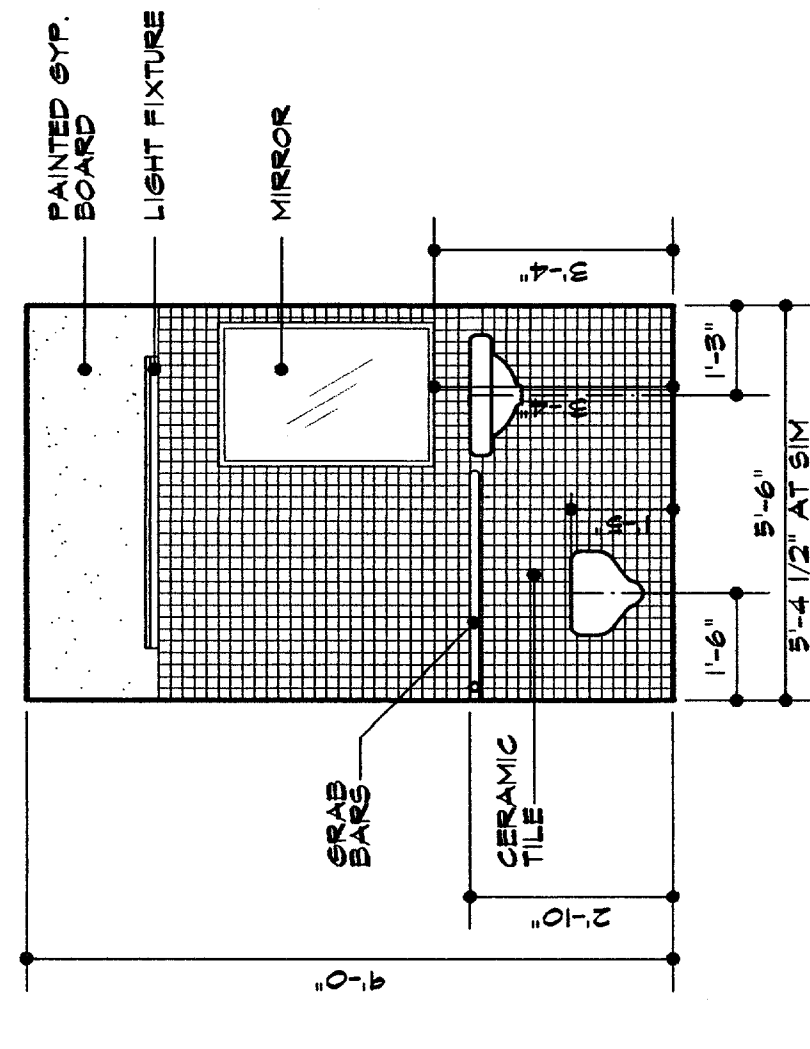


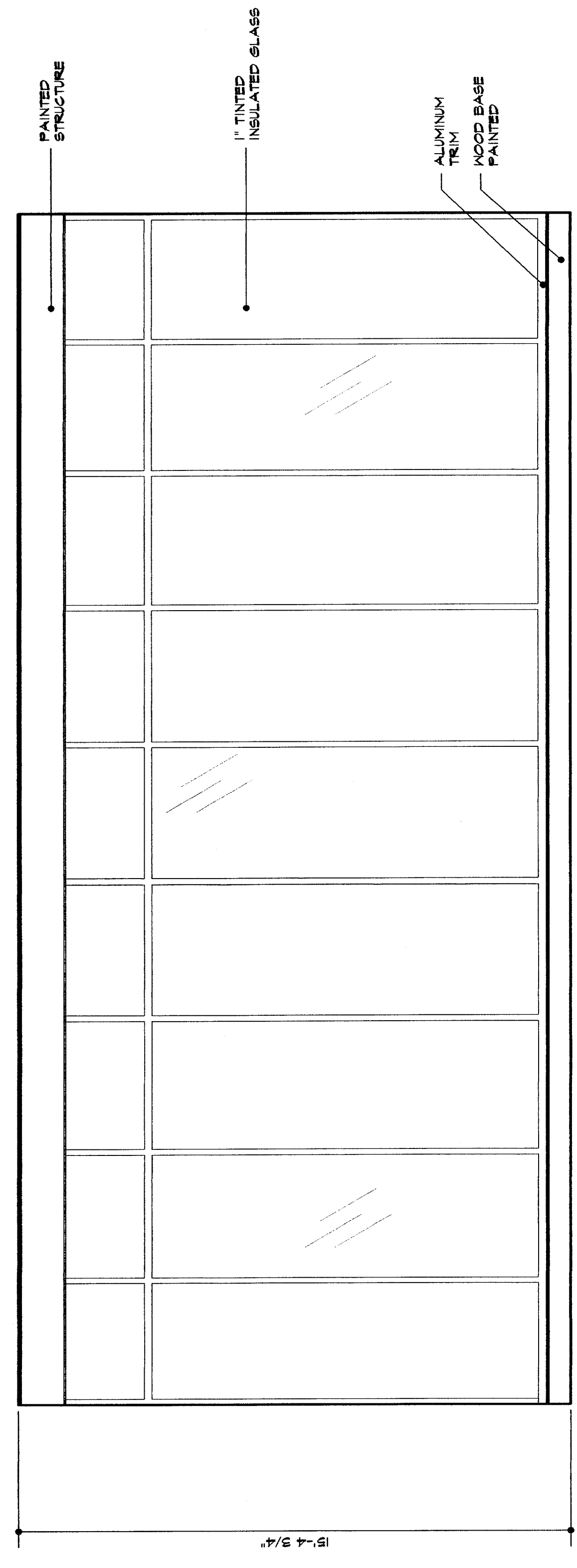
Legend
 C-1 = CONTROL JOINT



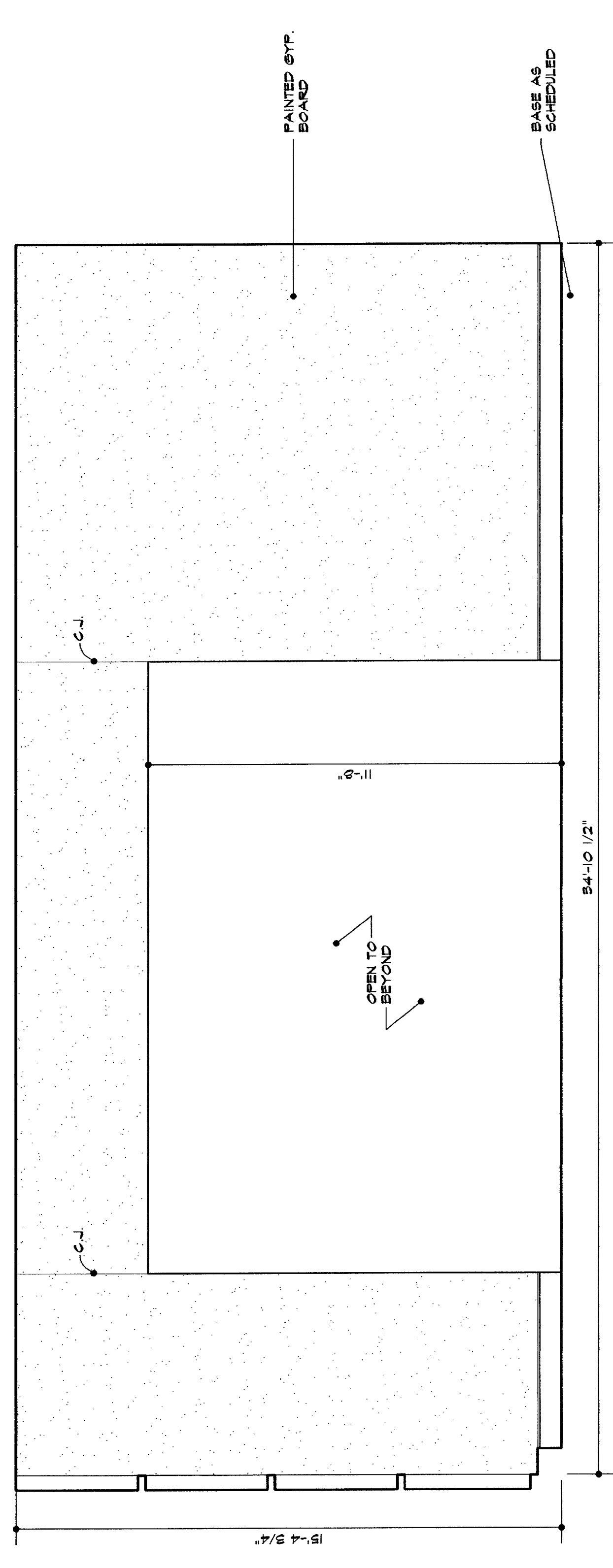
8 interior elevation — rm. #213
 3/8" = 1'-0"



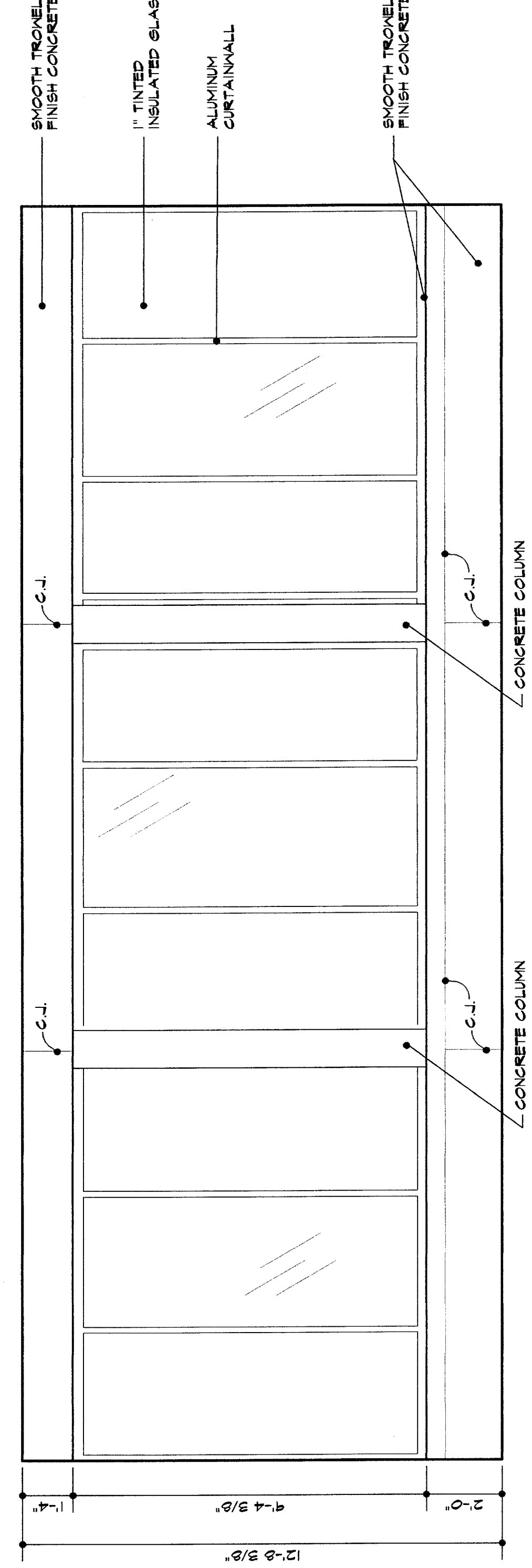
9 interior elev — rm. #215 & 216
 3/8" = 1'-0"



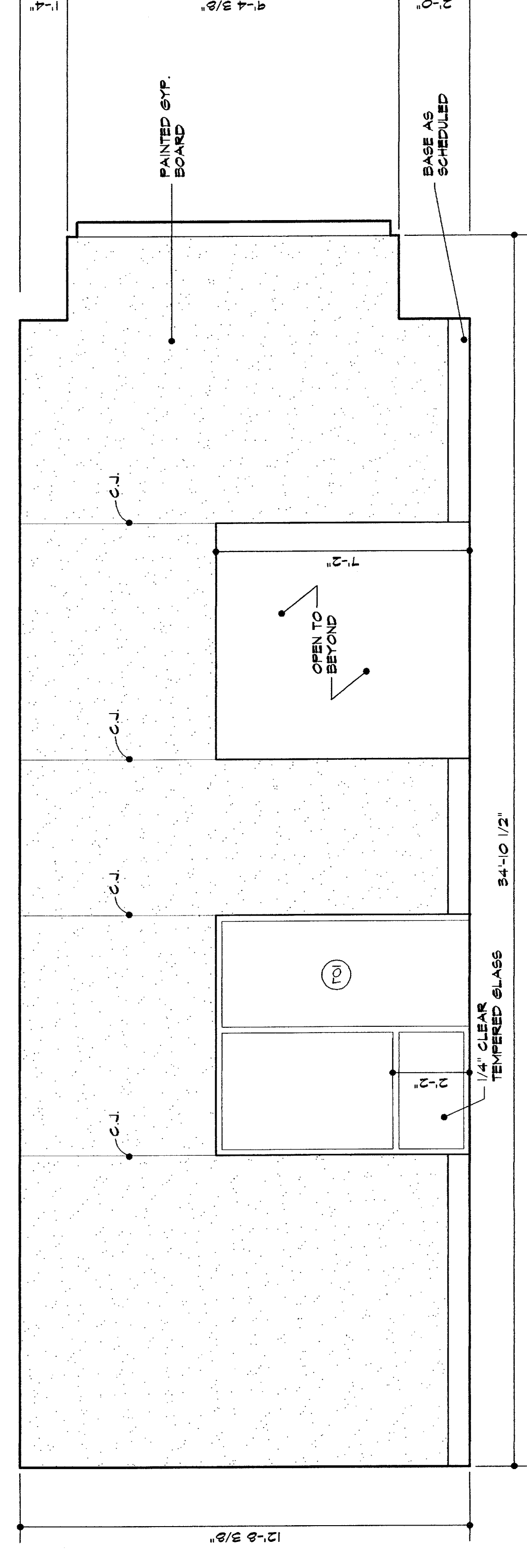
6 interior elevation — rm. #213
 3/8" = 1'-0"



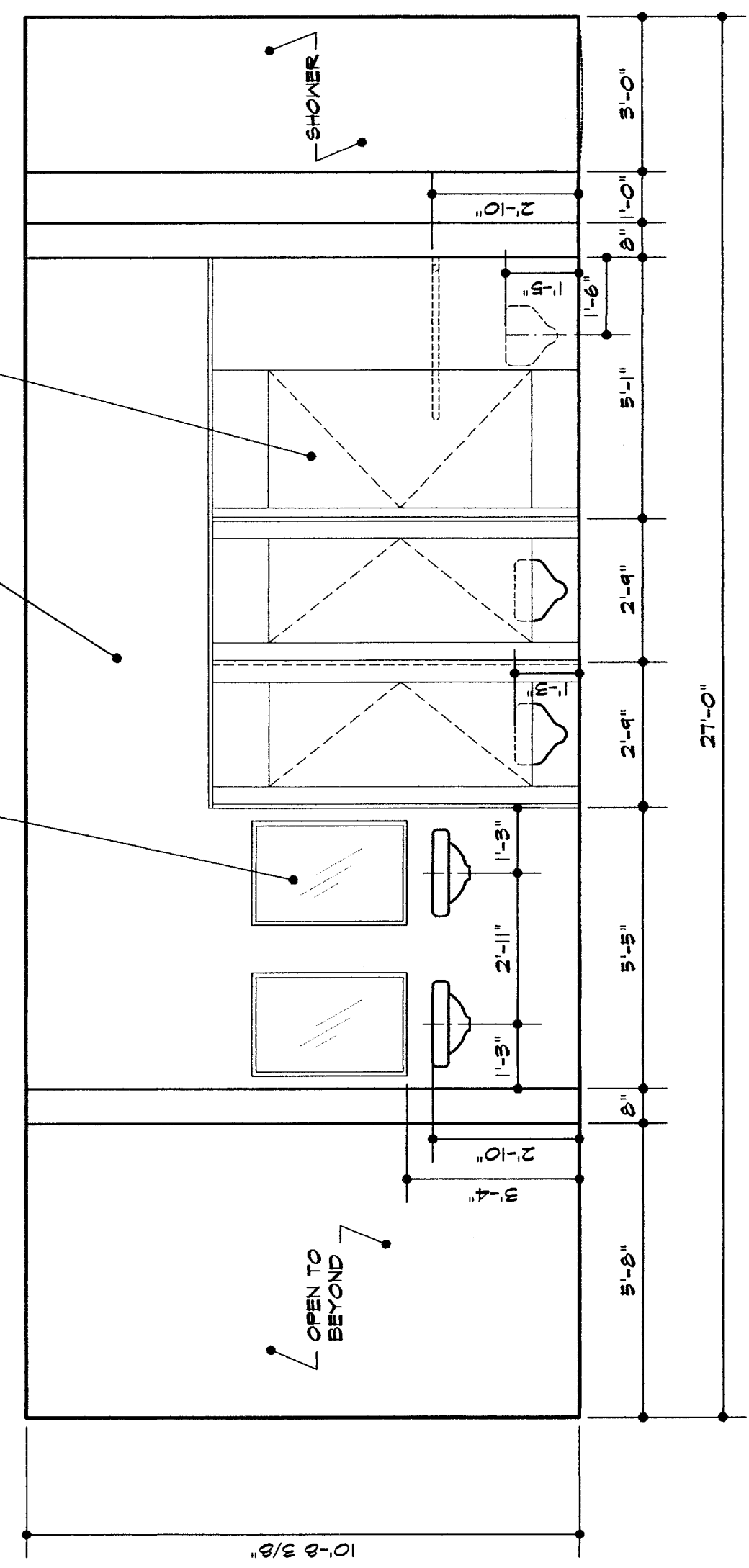
7 interior elevation — rm. #213
 3/8" = 1'-0"



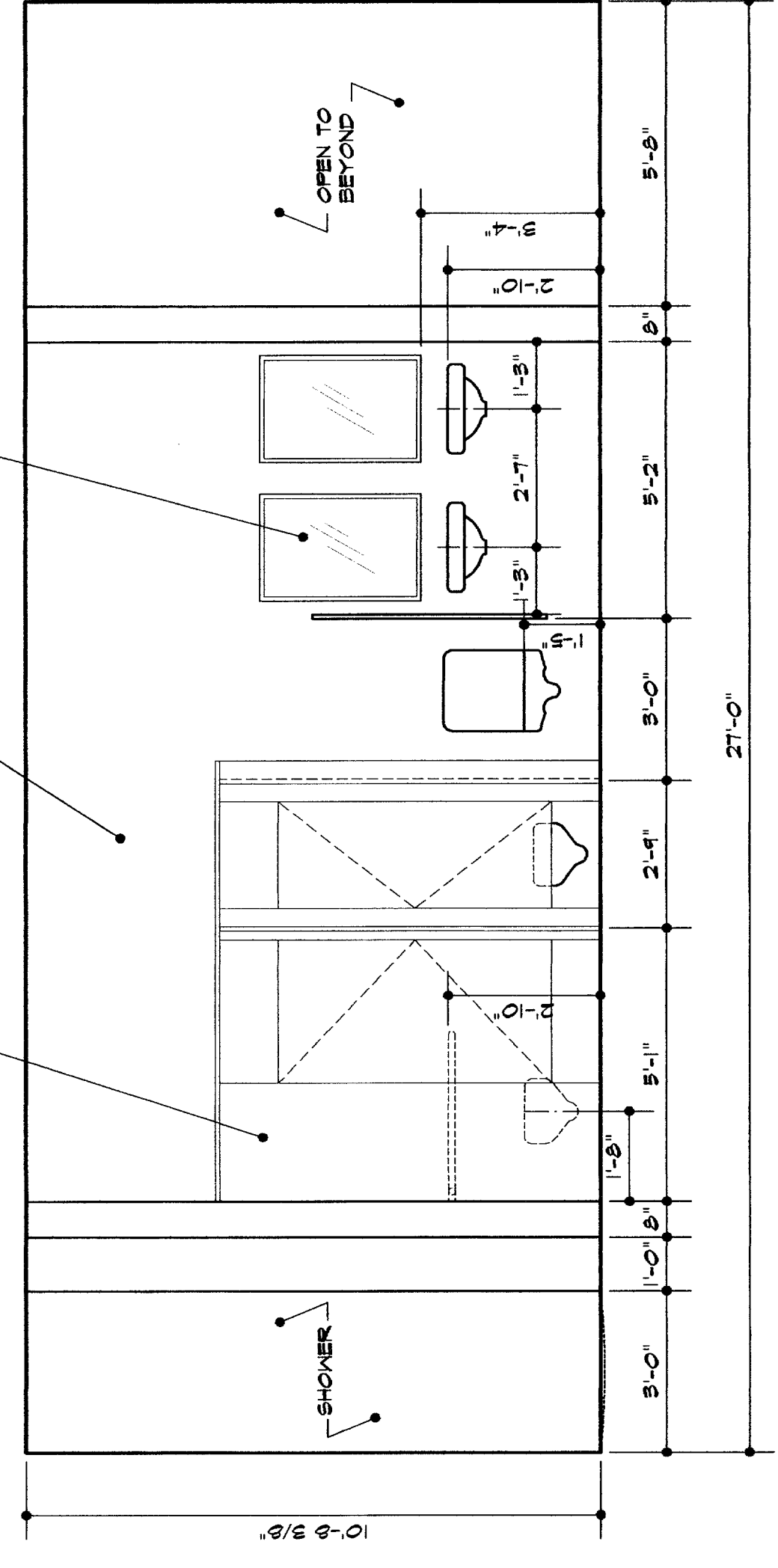
4 interior elevation — rm. #116
 3/8" = 1'-0"



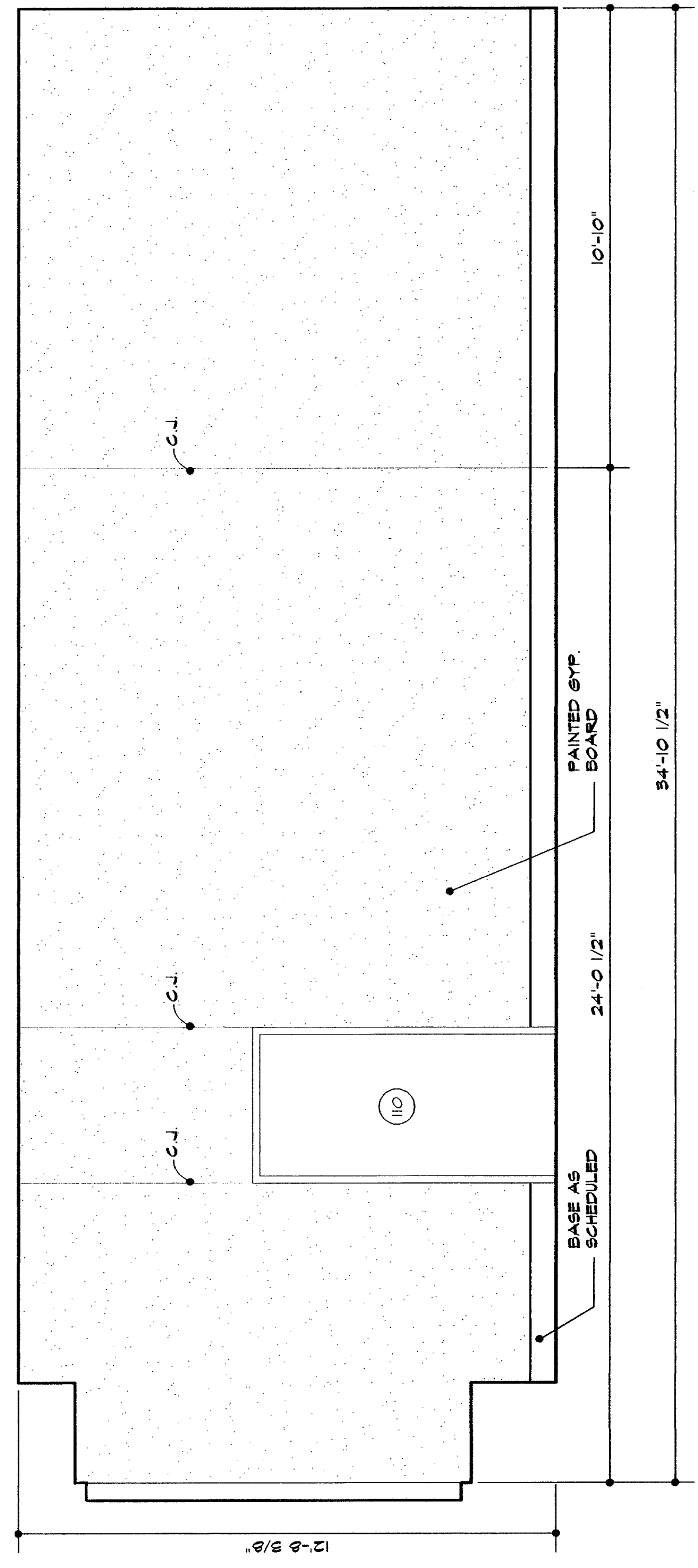
5 interior elevation — rm. #116
 3/8" = 1'-0"



1 interior elevation — rm. #102
 3/8" = 1'-0"



2 interior elevation — rm. #101
 3/8" = 1'-0"



3 interior elevation — rm. #116
 3/8" = 1'-0"