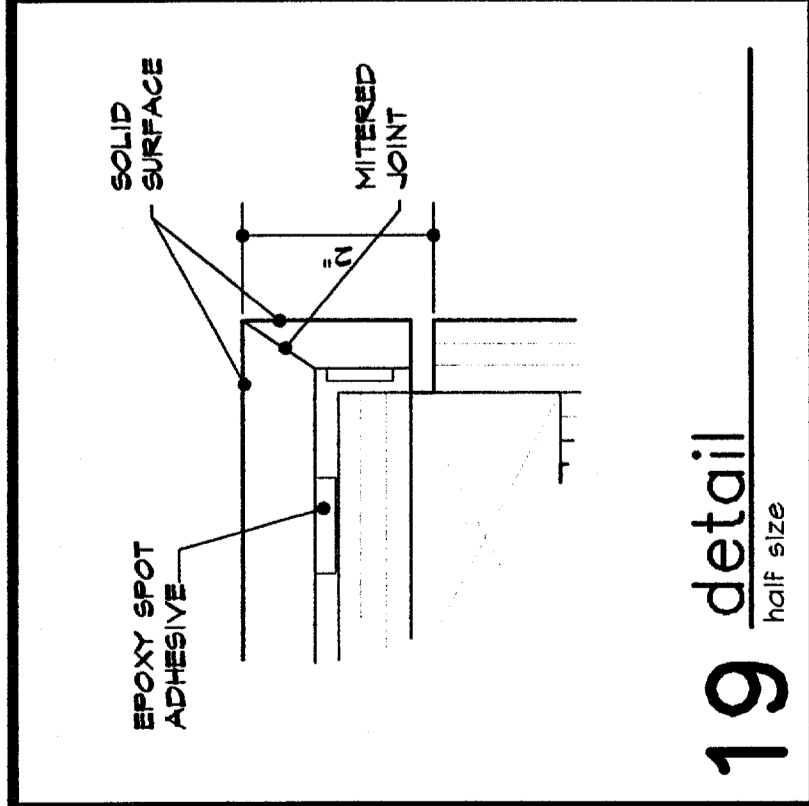
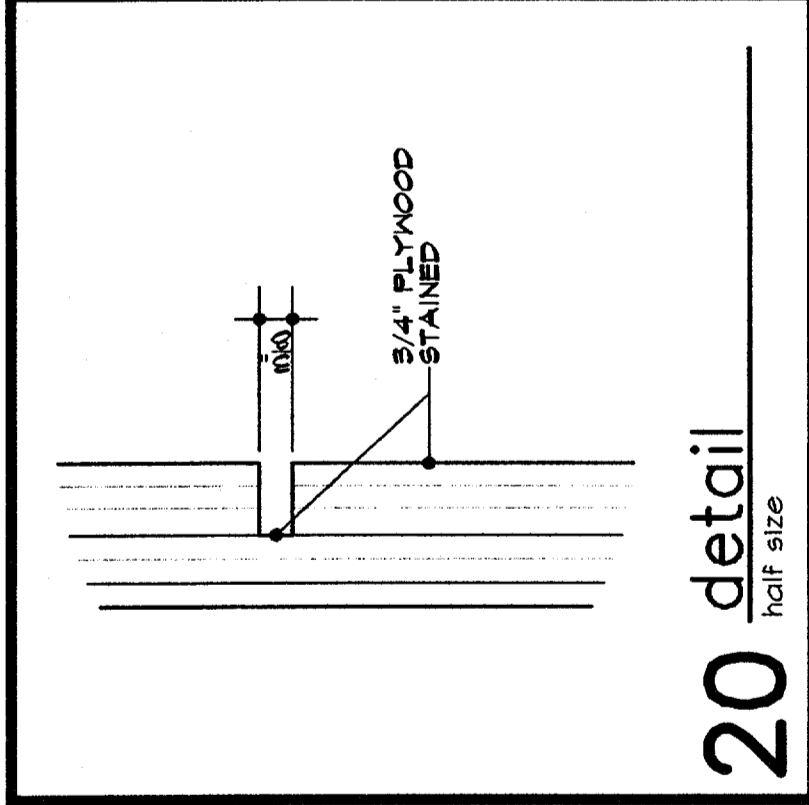


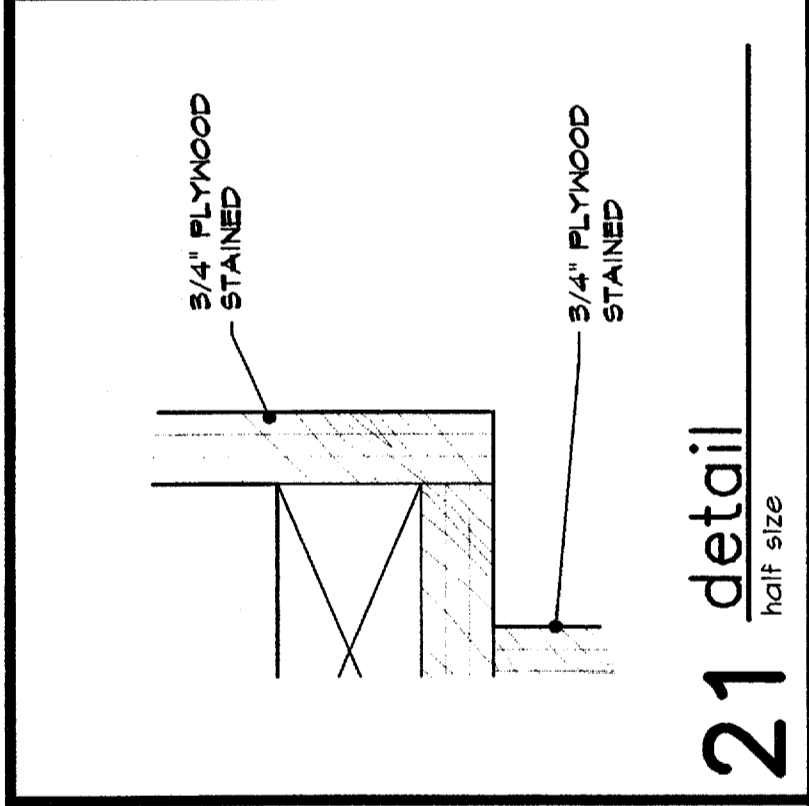
18 detail
half size



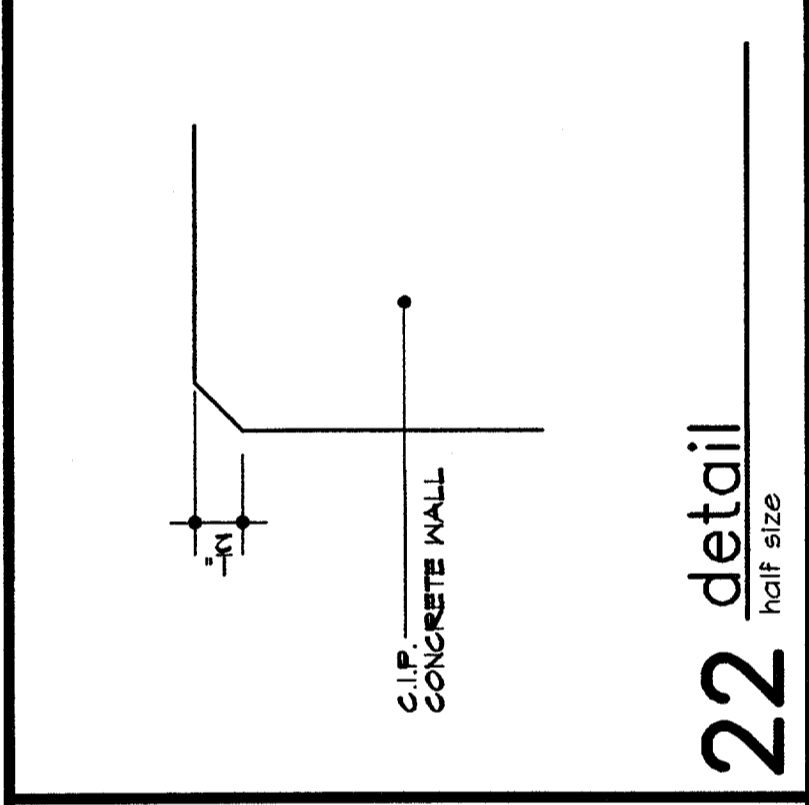
19 detail
half size



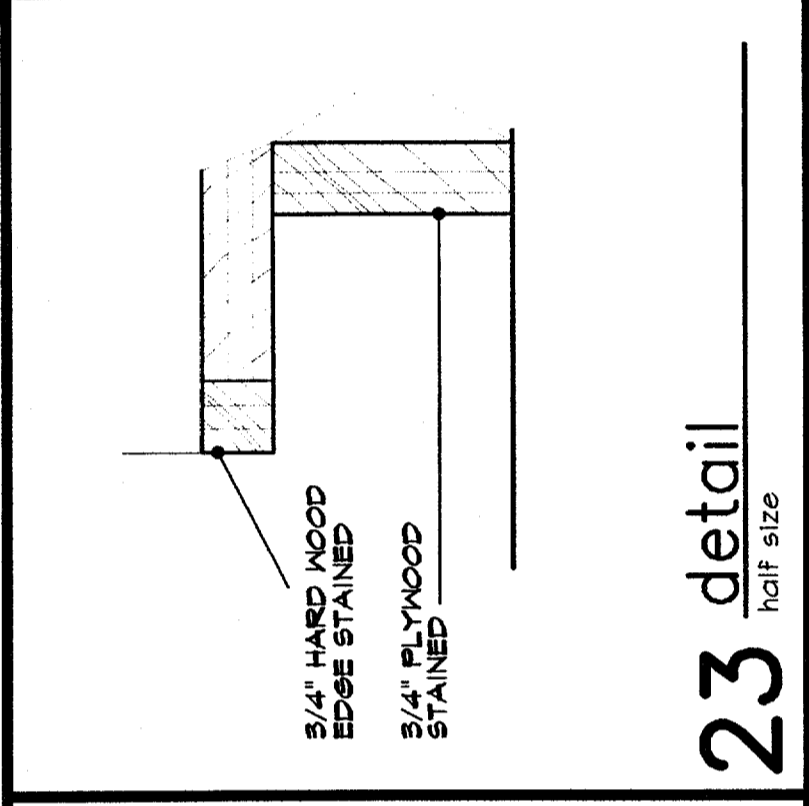
20 detail
half size



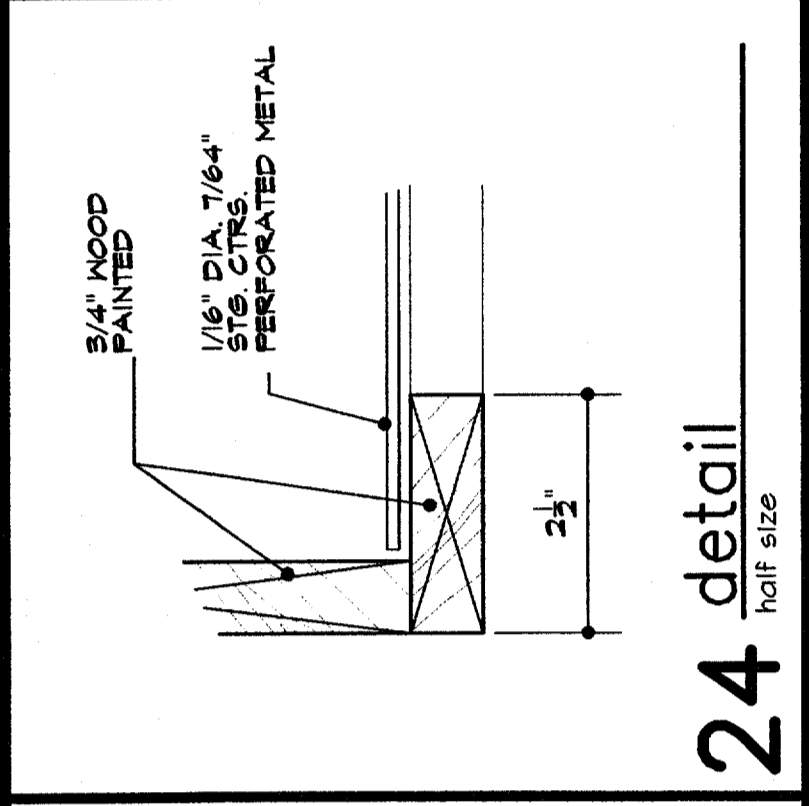
21 detail
half size



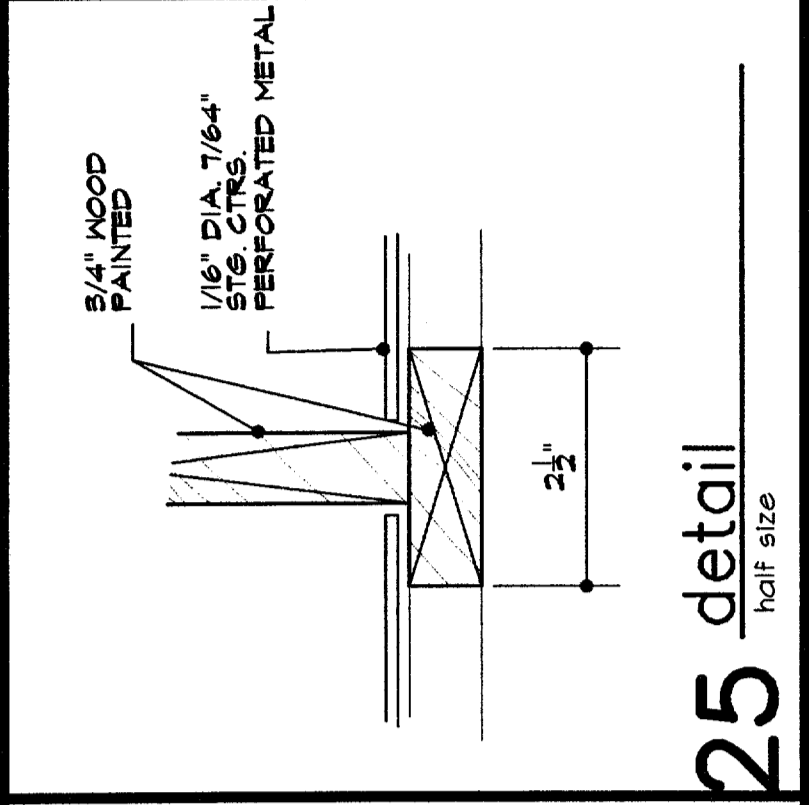
22 detail
half size



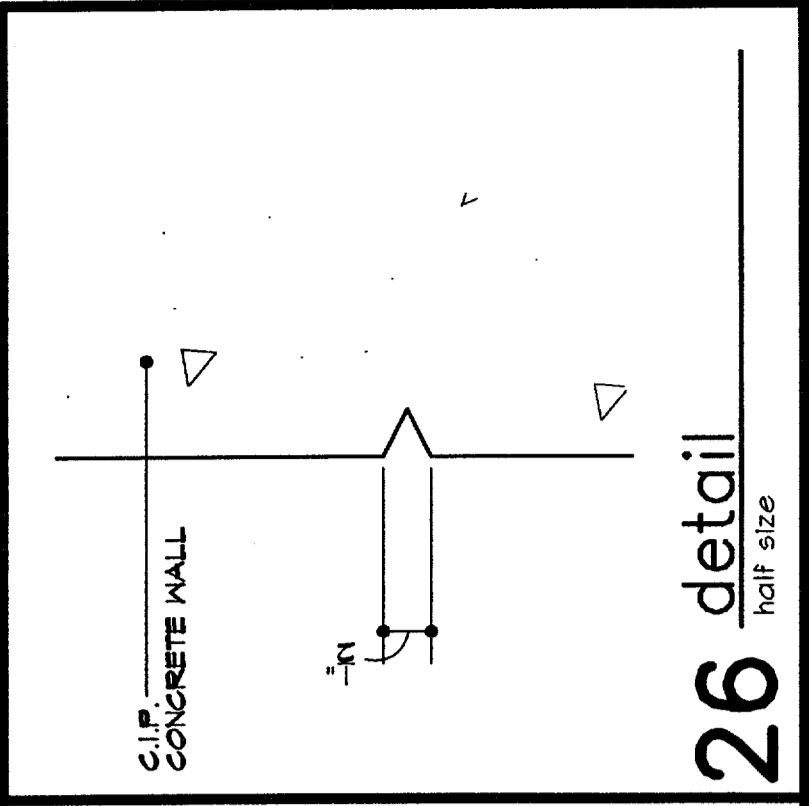
23 detail
half size



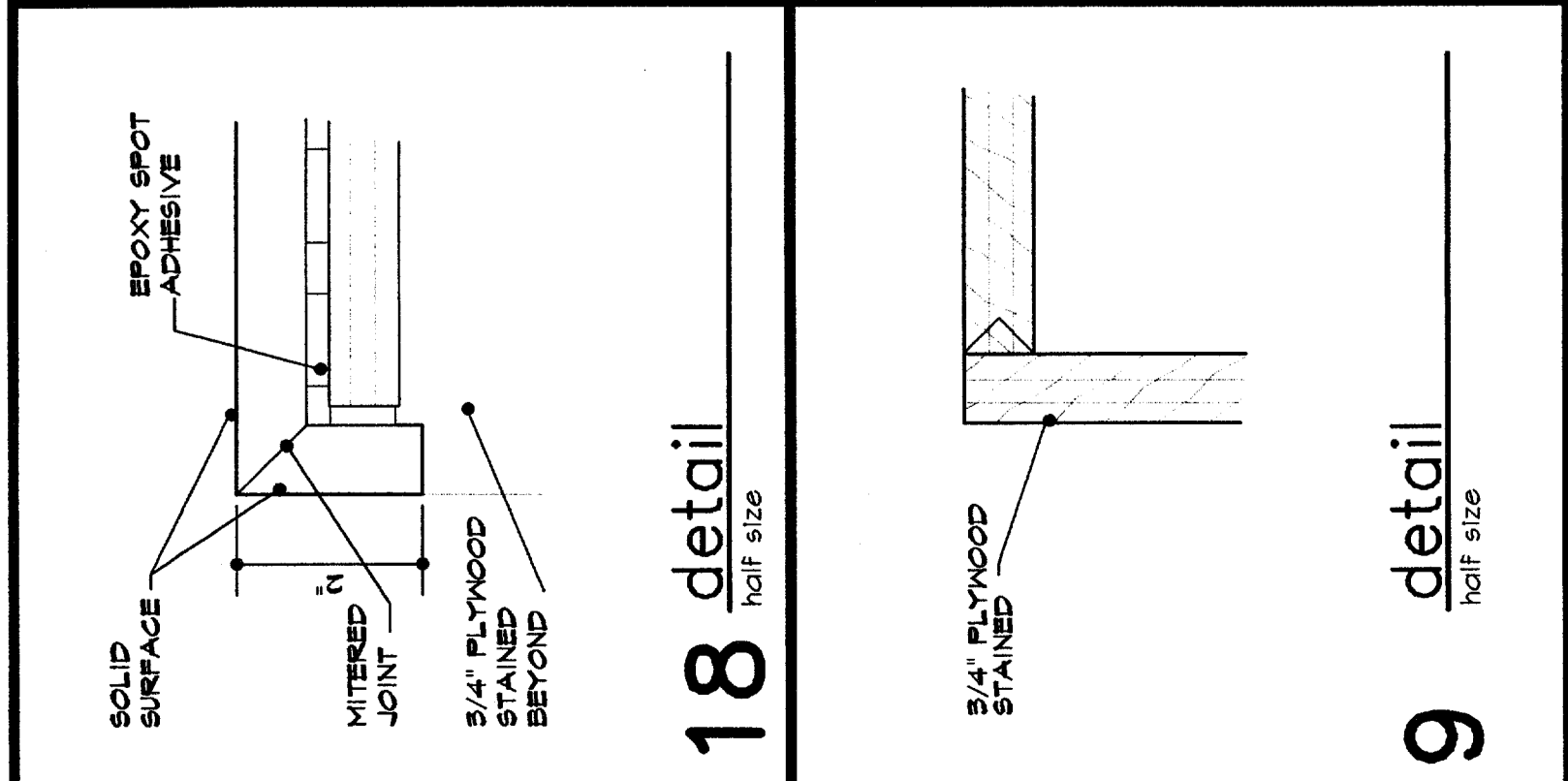
24 detail
half size



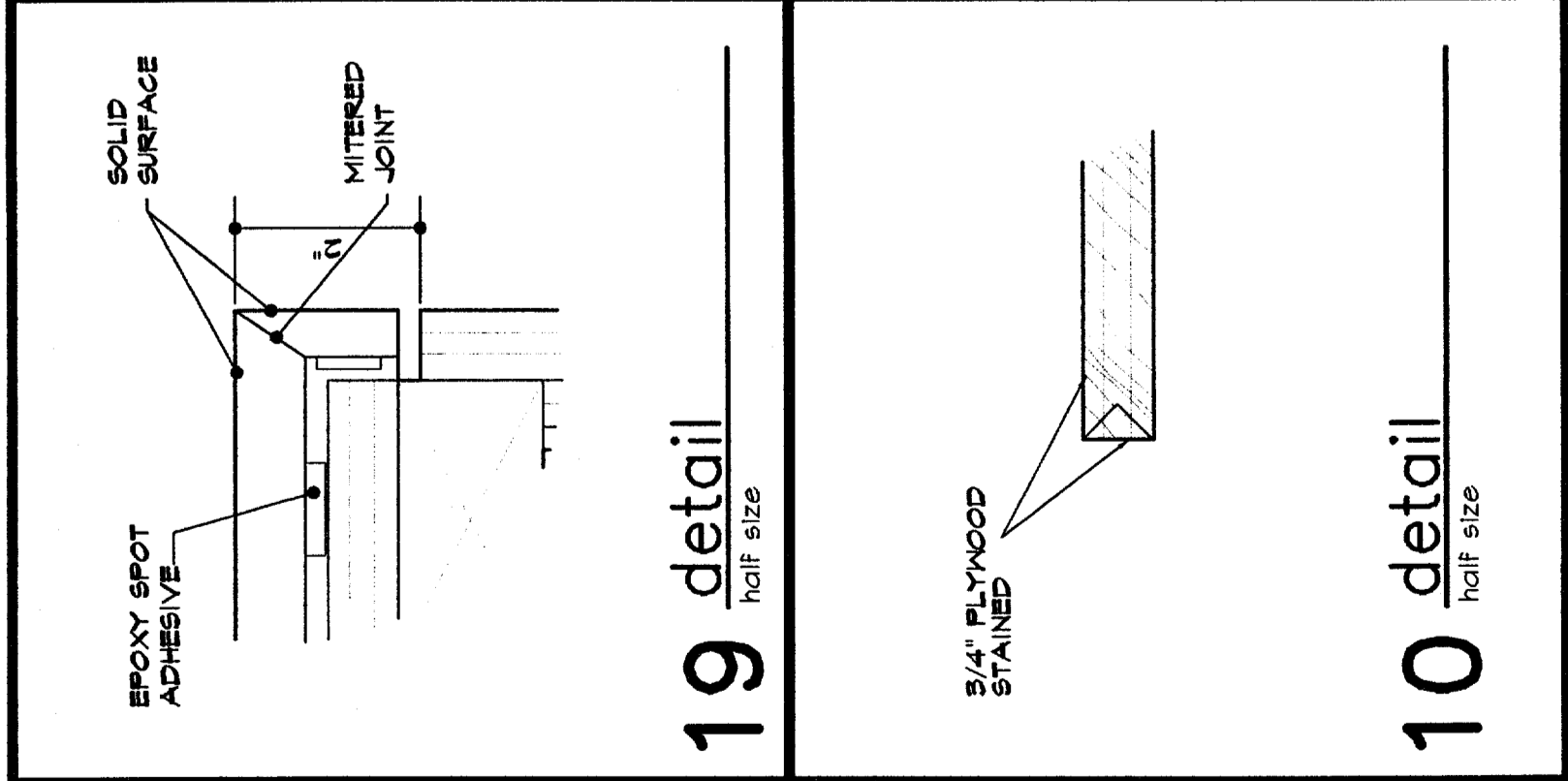
25 detail
half size



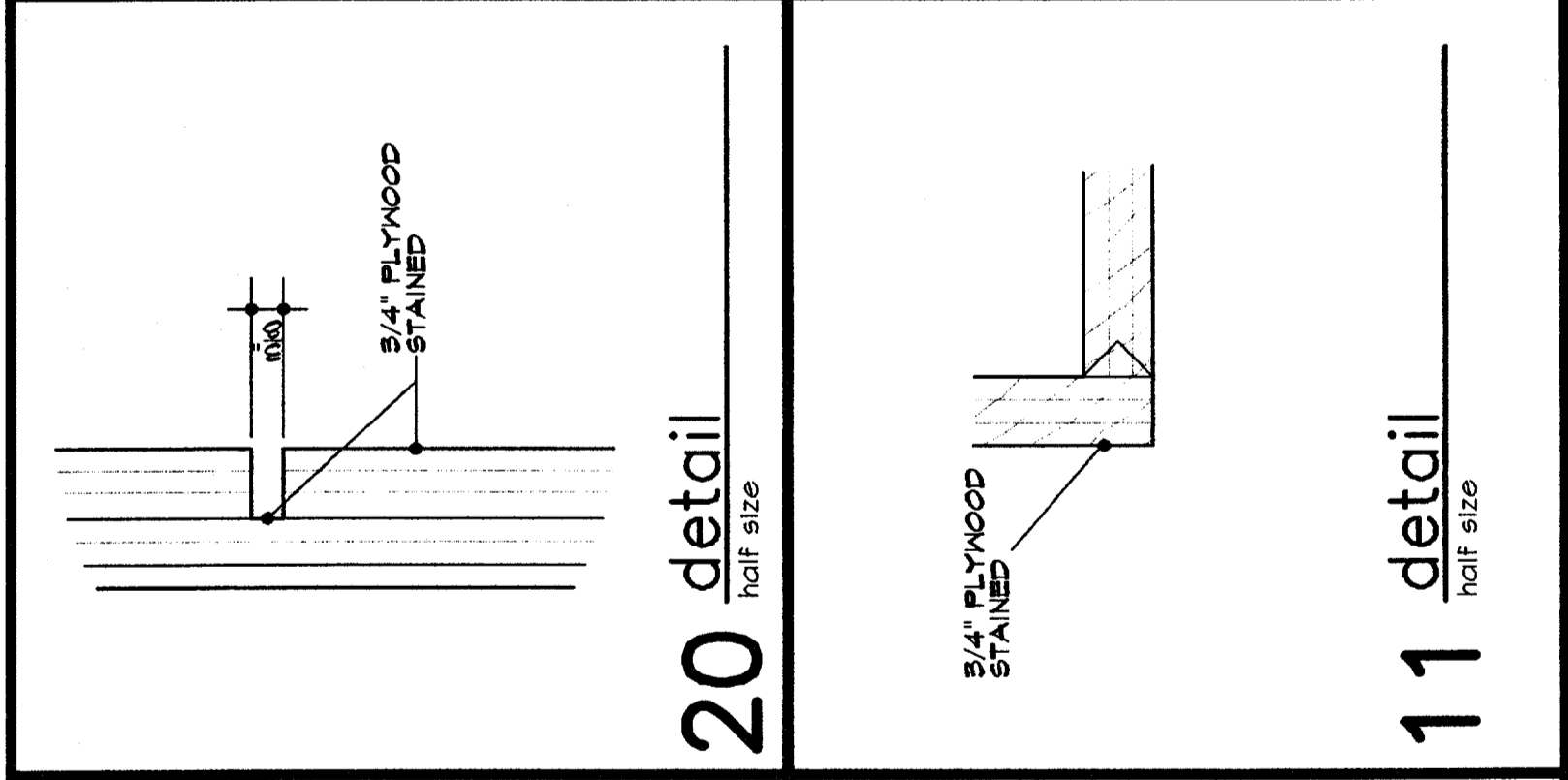
26 detail
half size



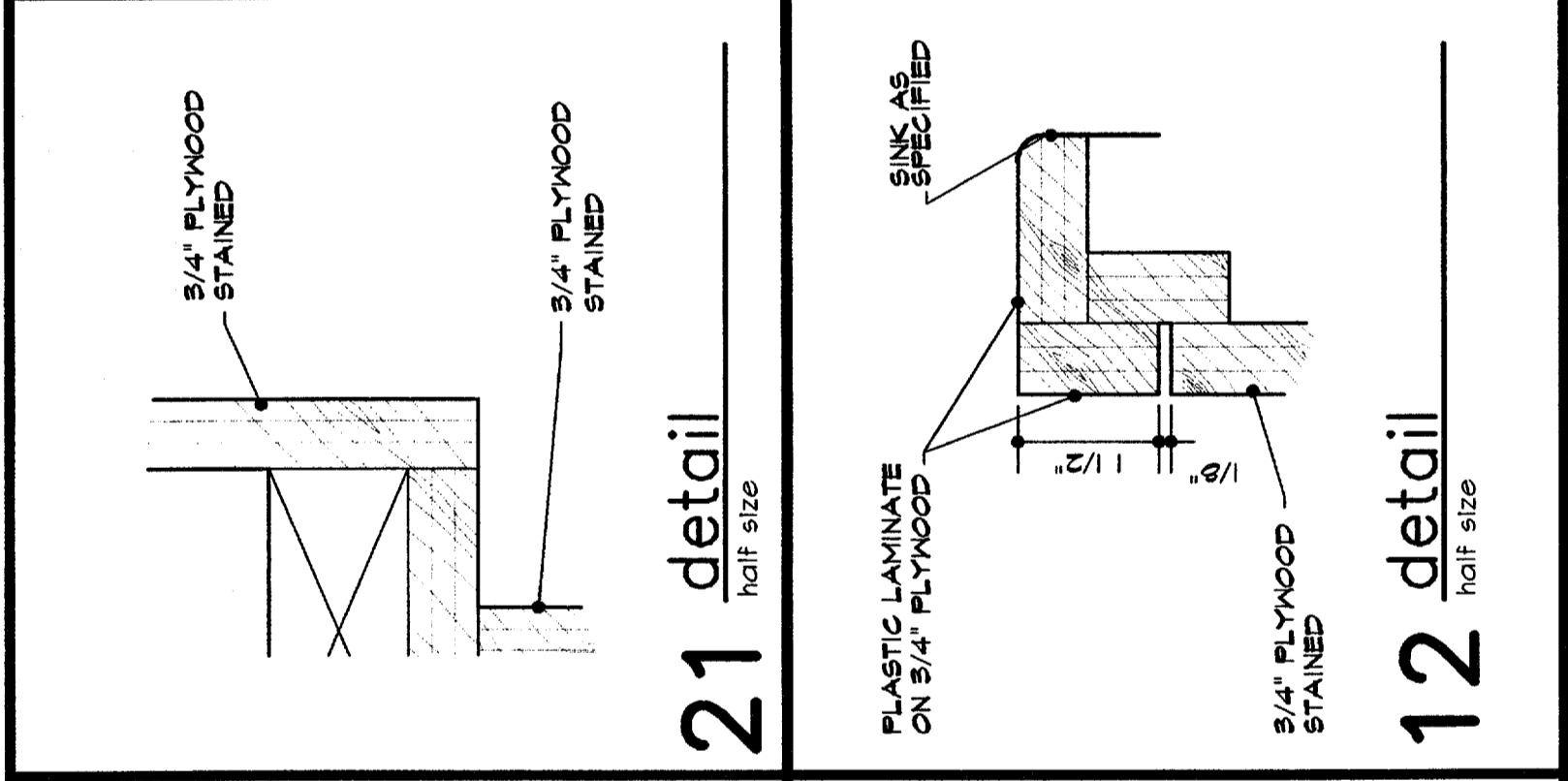
9 detail
half size



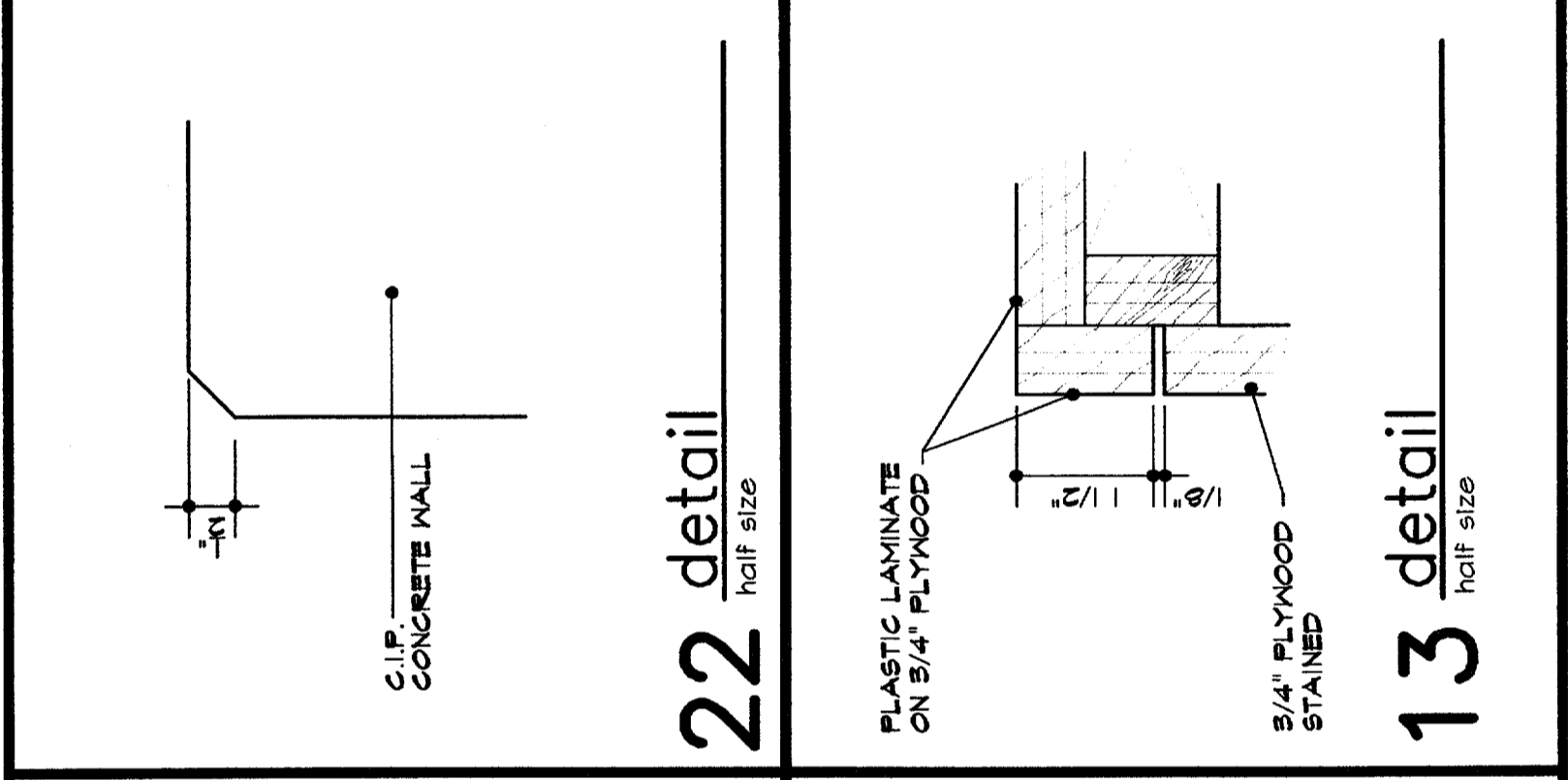
10 detail
half size



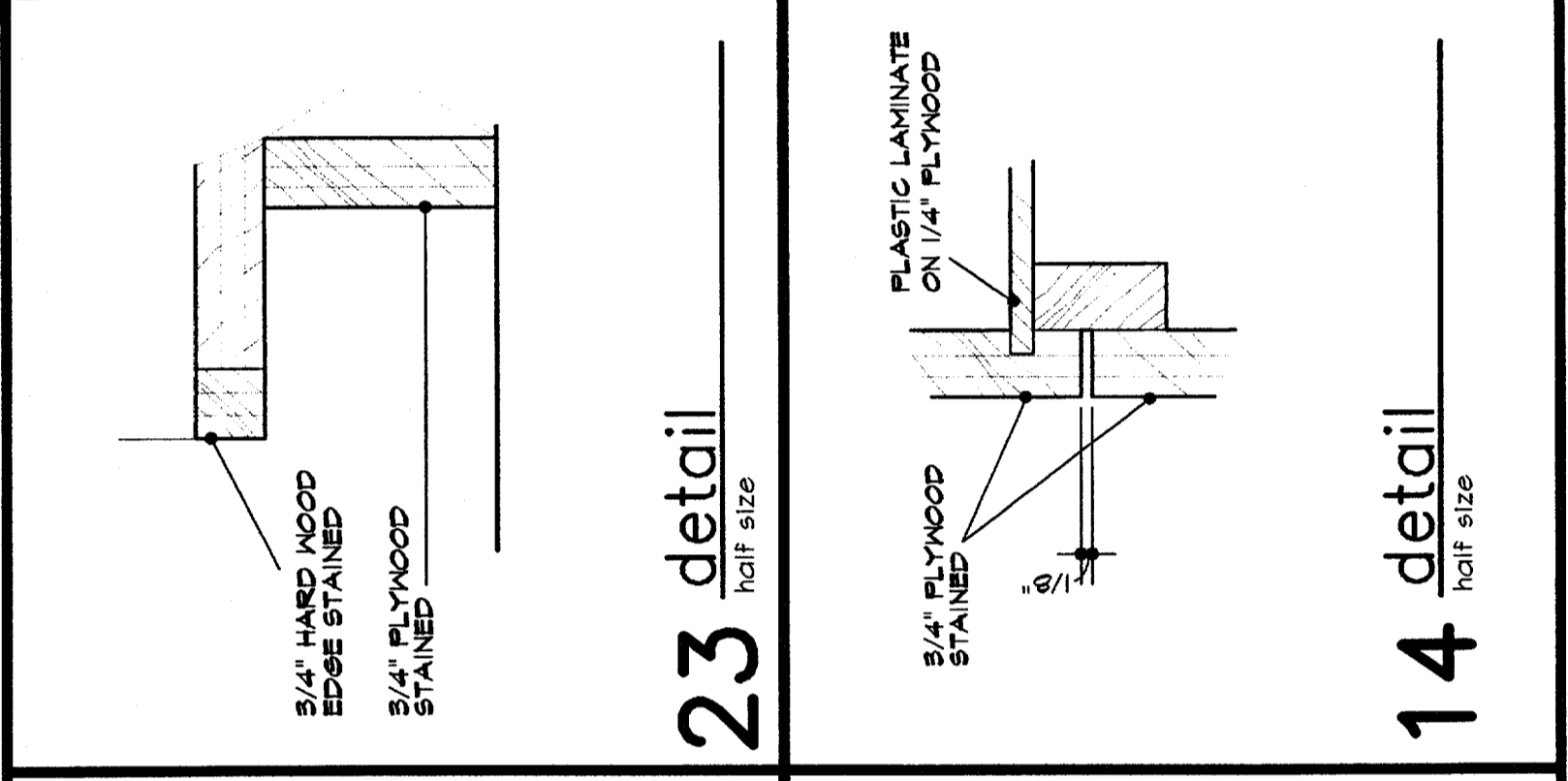
11 detail
half size



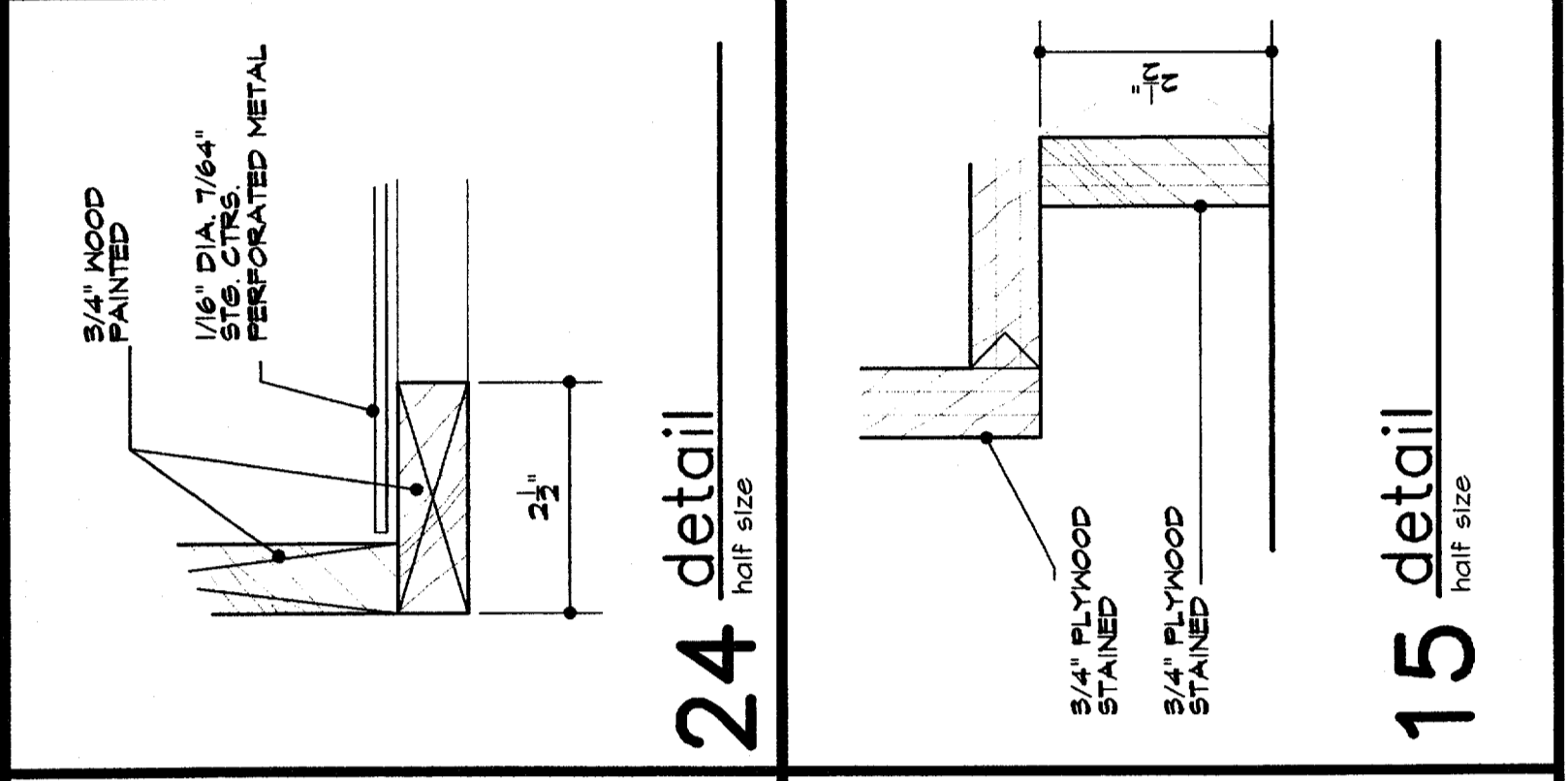
12 detail
half size



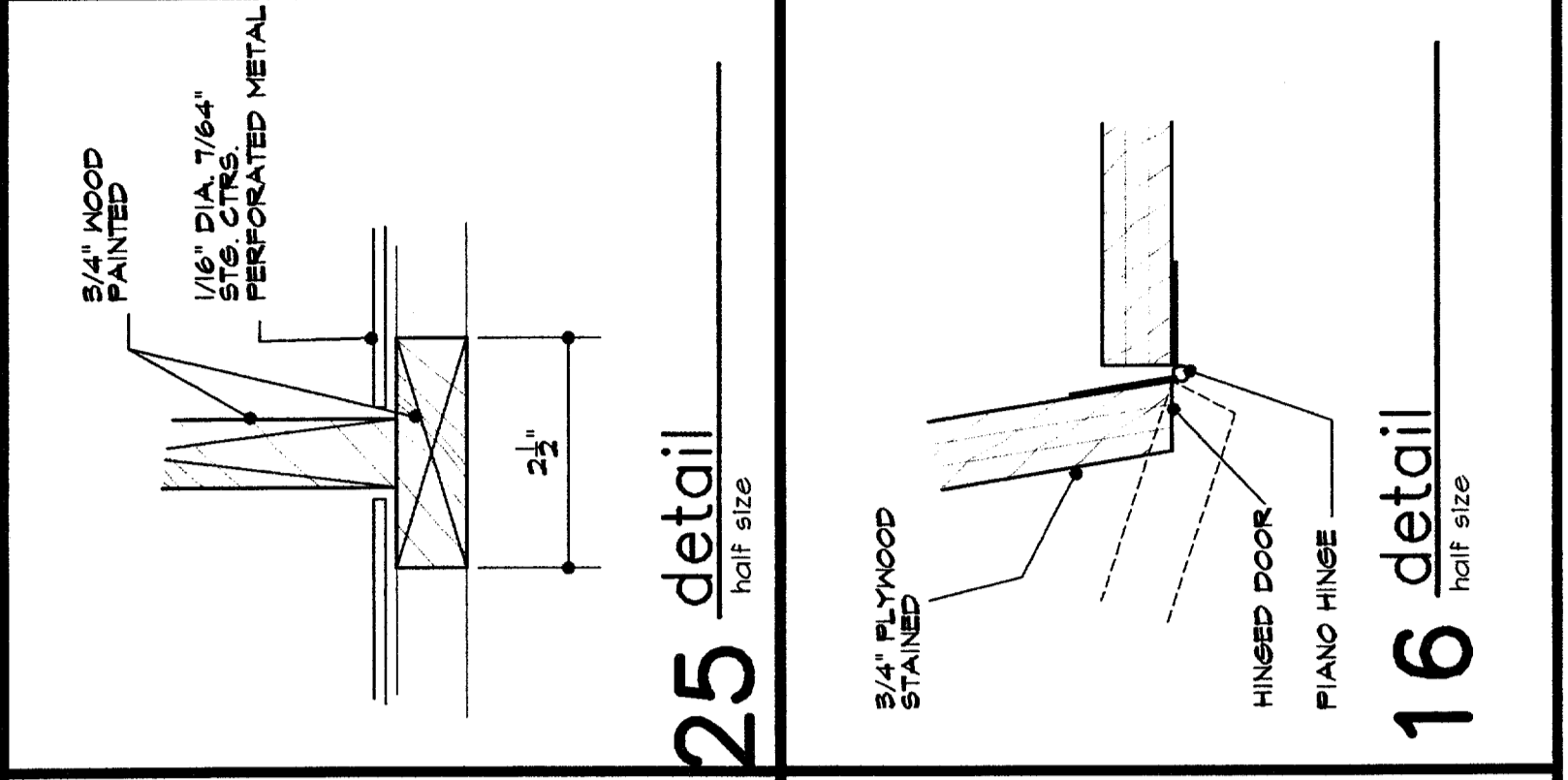
13 detail
half size



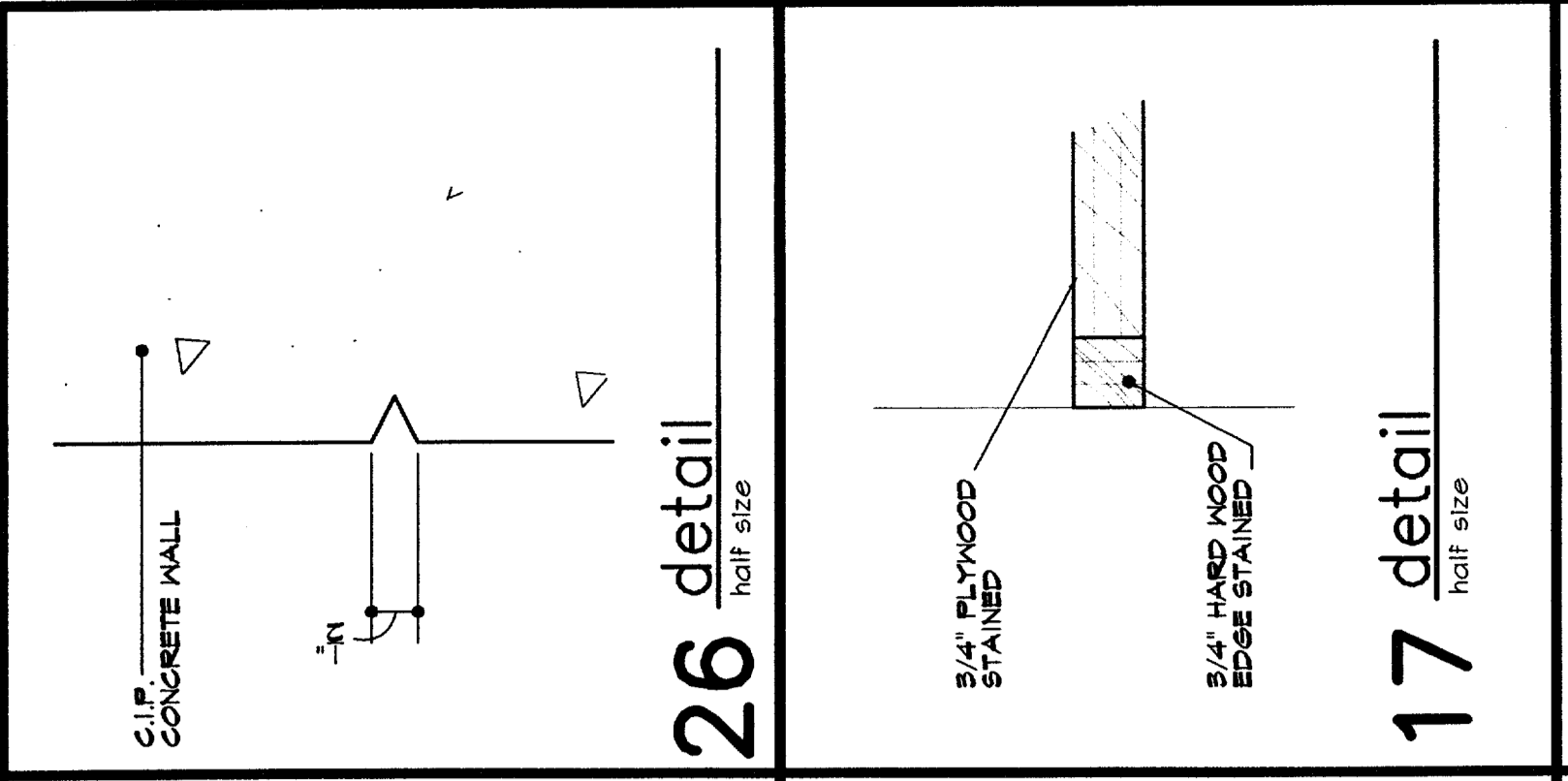
14 detail
half size



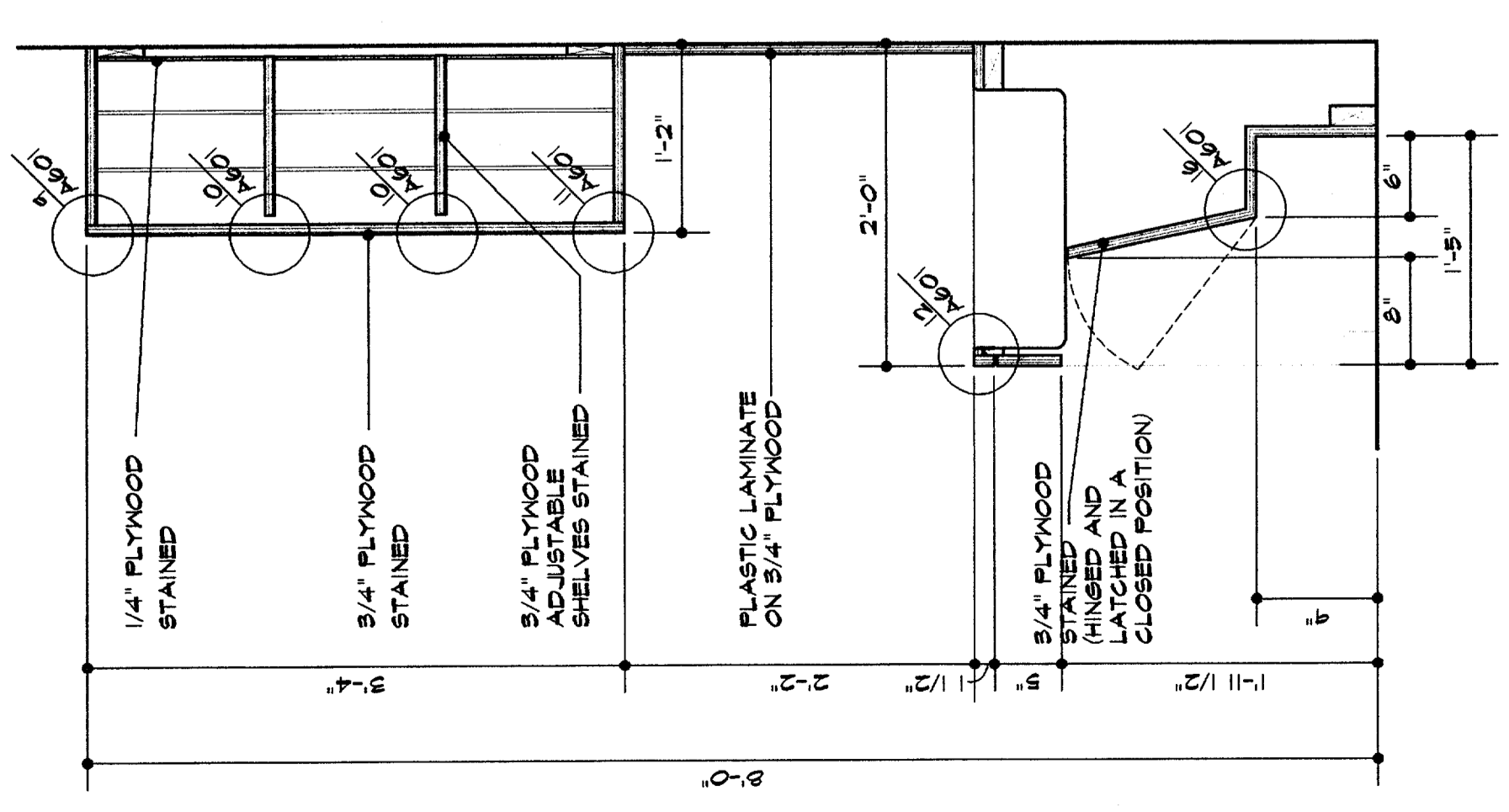
15 detail
half size



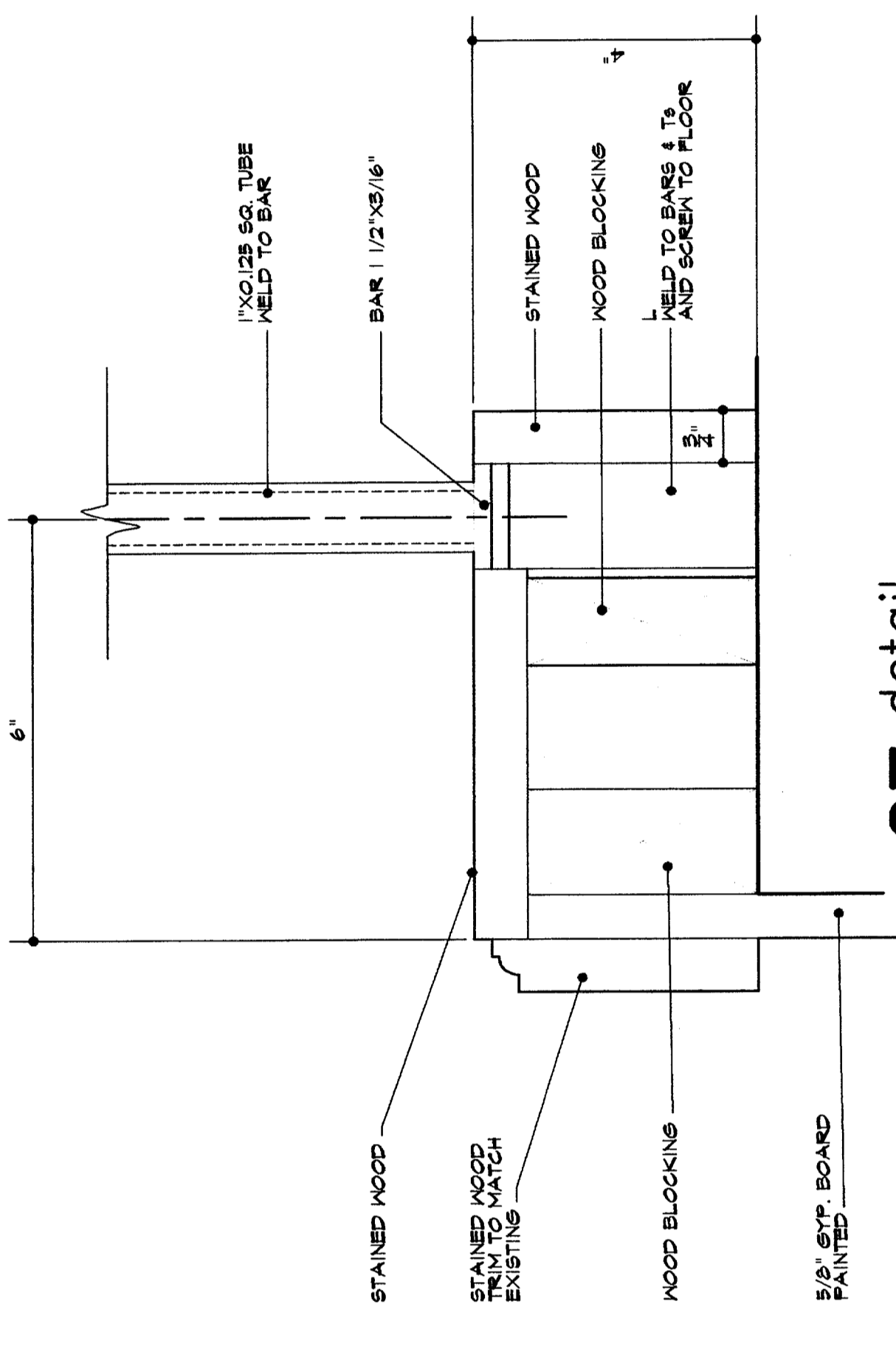
16 detail
half size



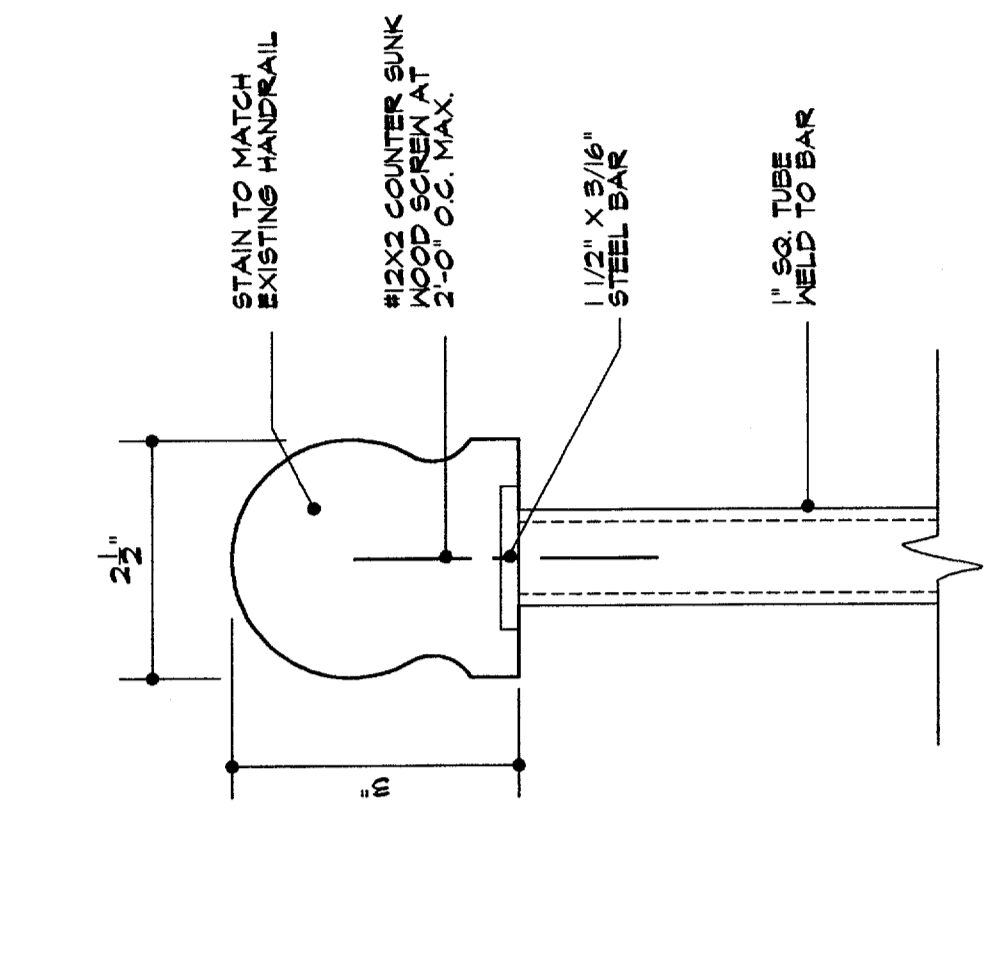
17 detail
half size



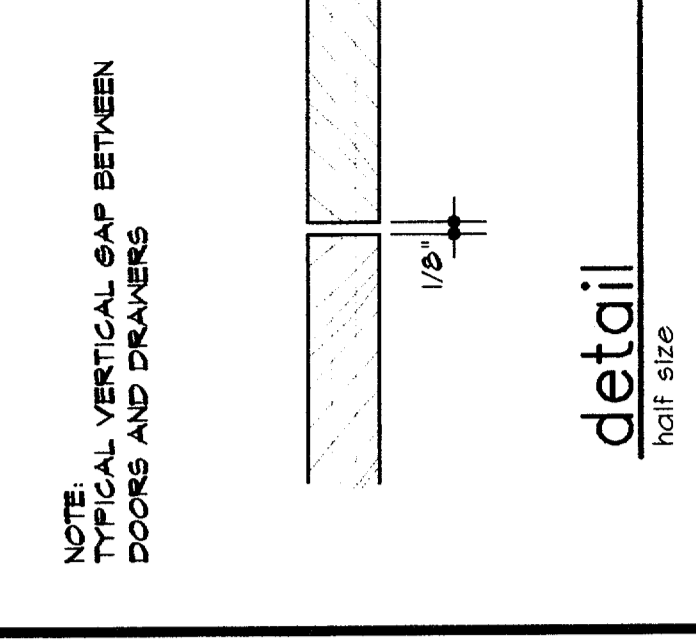
8 cabinet section
1/4\"/>



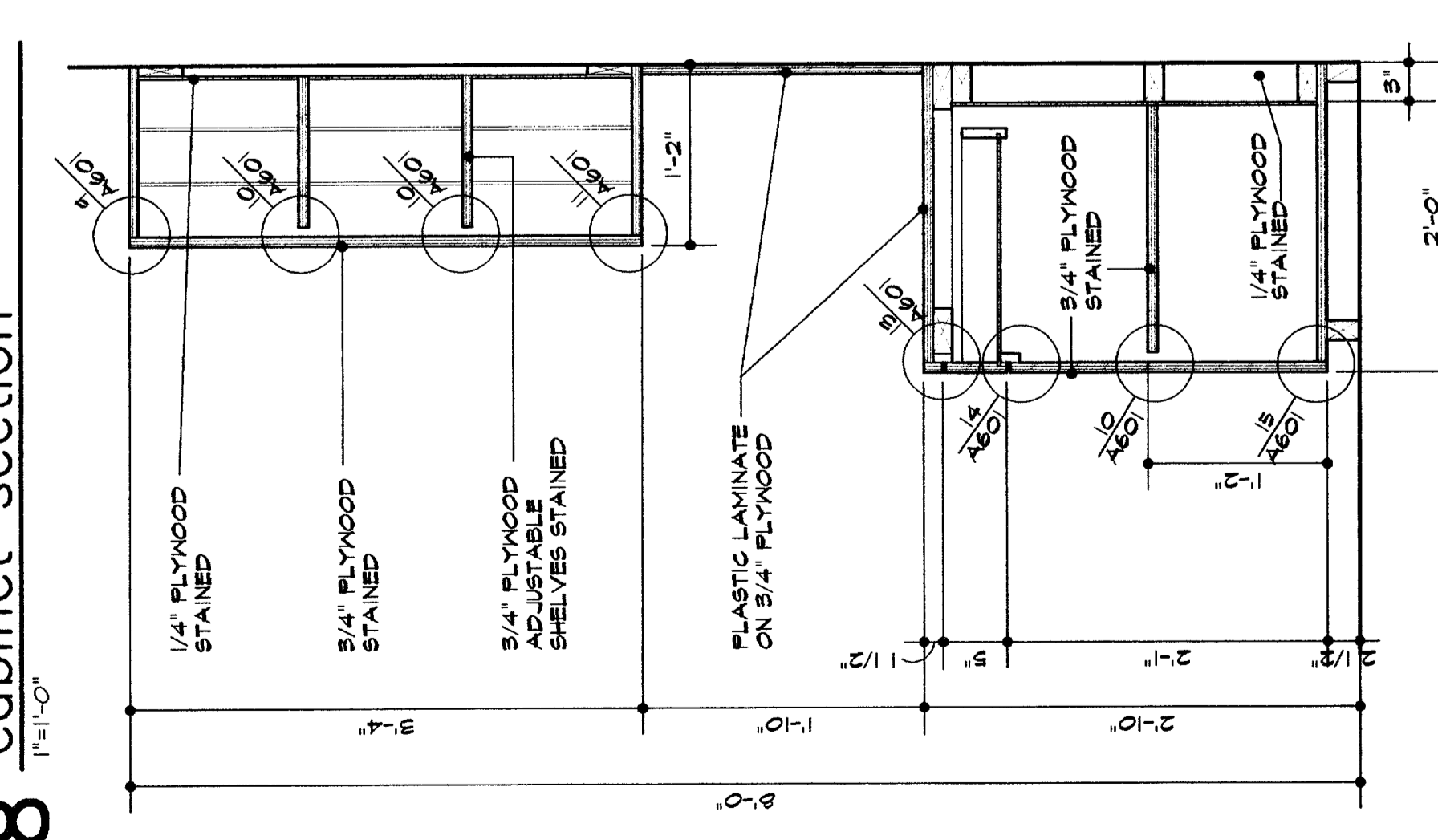
27 detail
half size



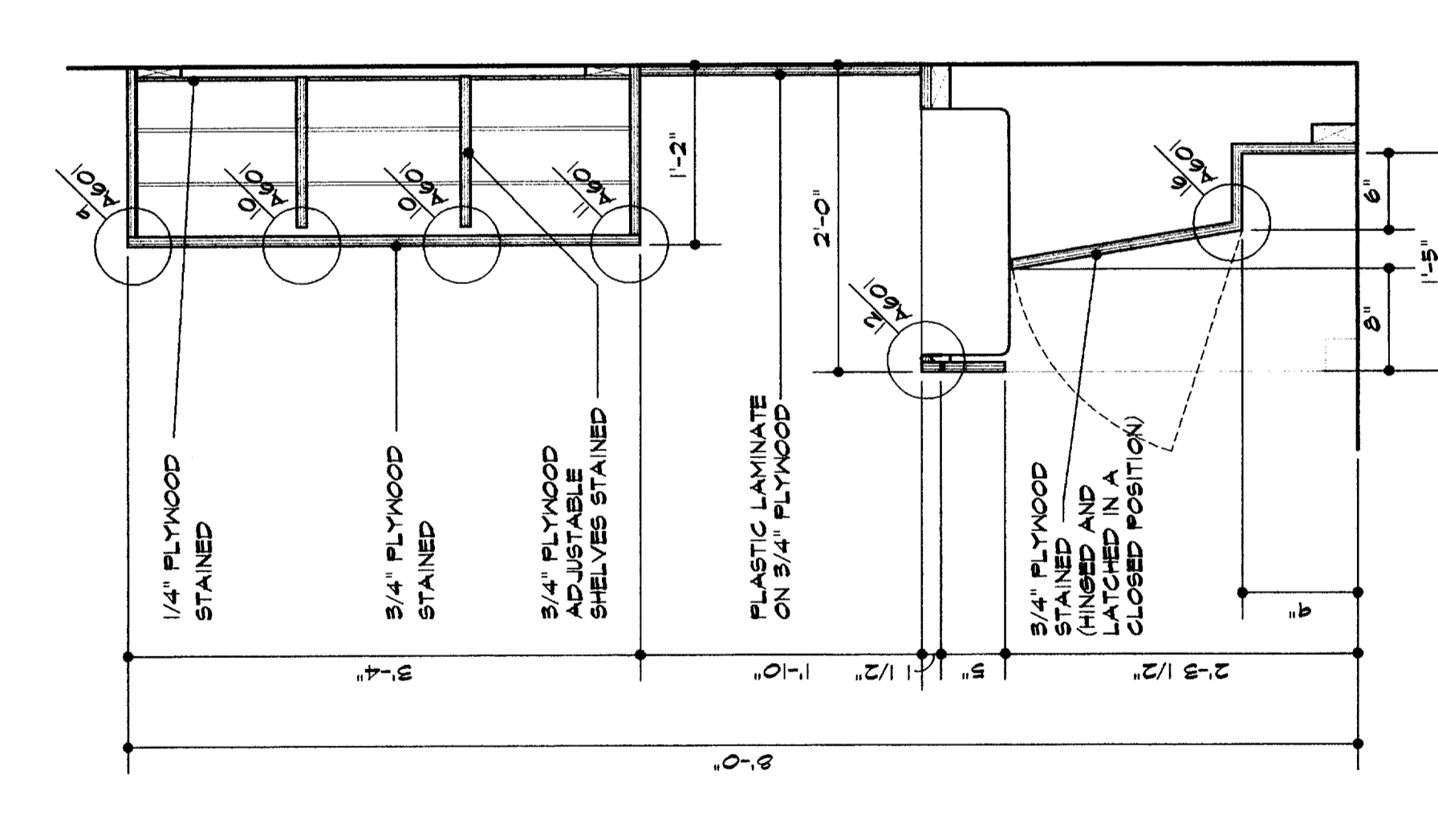
28 detail
half size



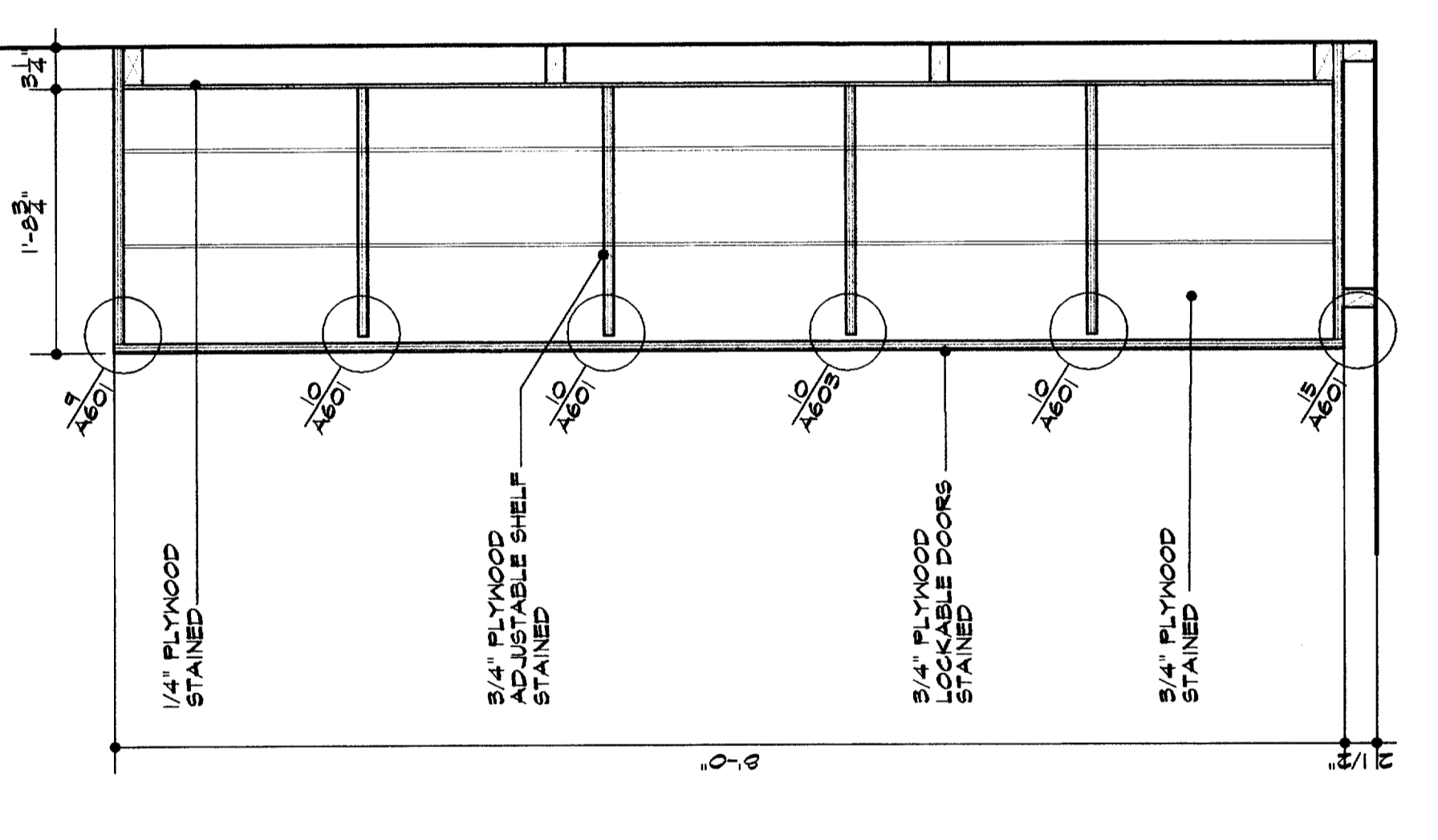
detail
half size



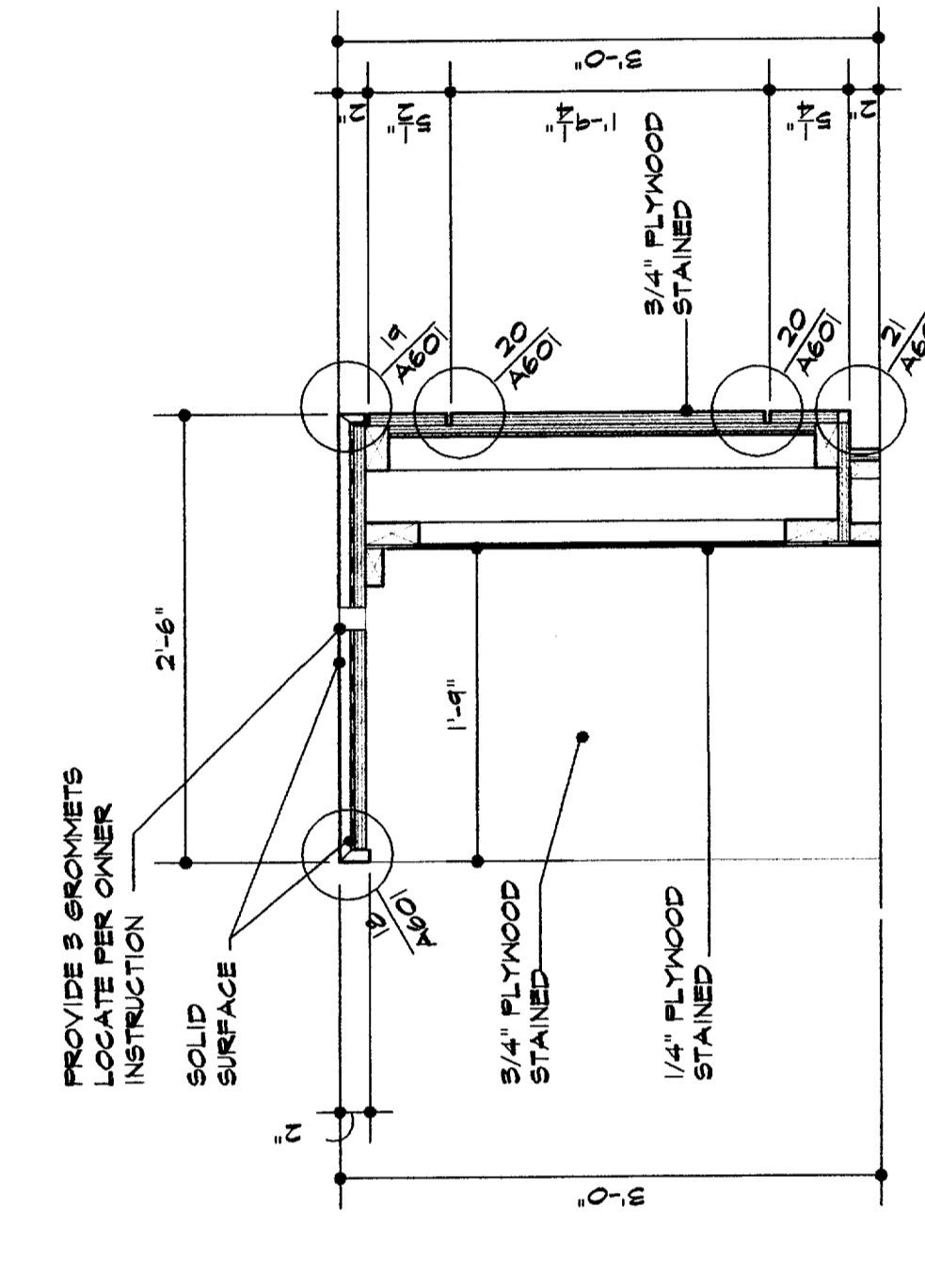
1 cabinet section
1/4\"/>



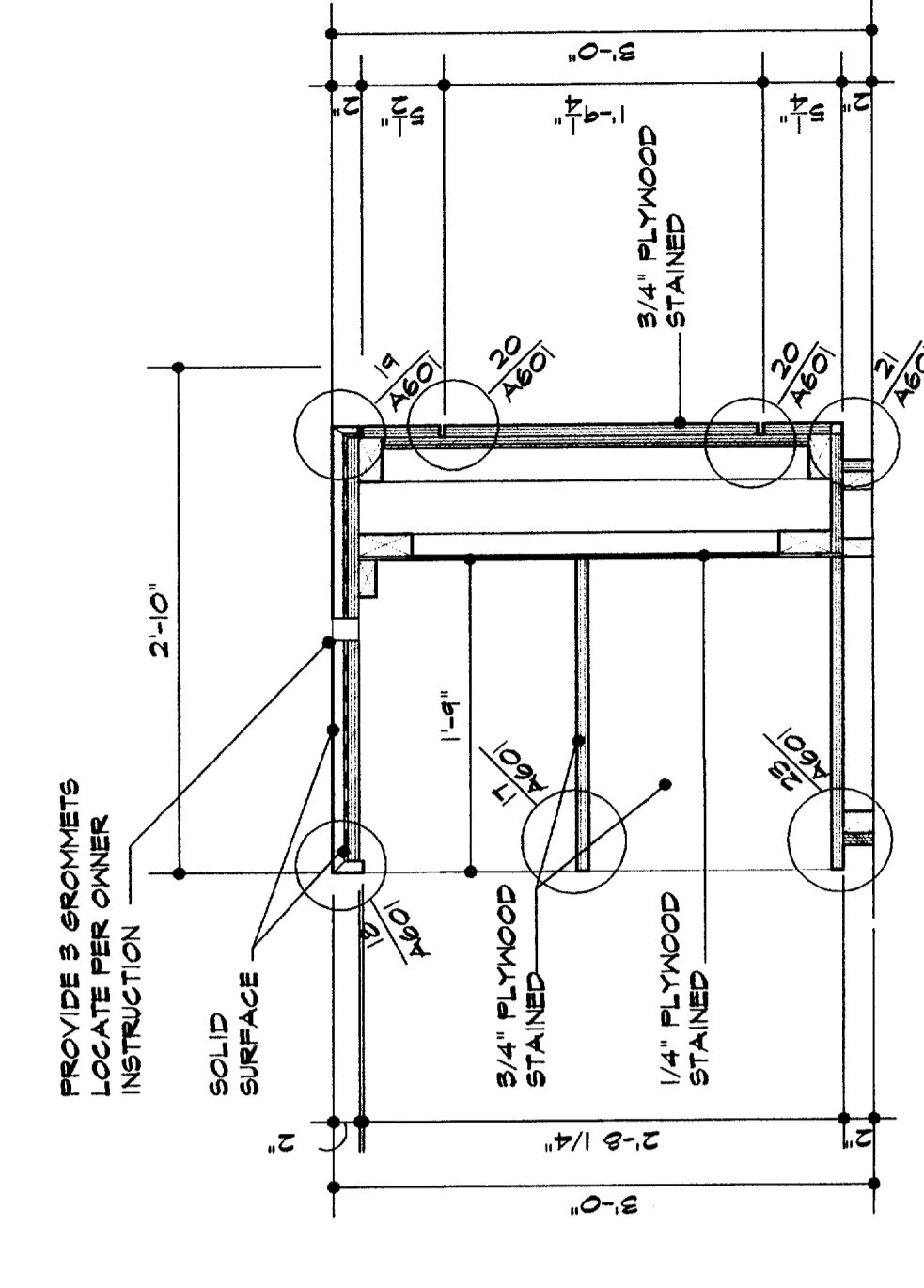
2 cabinet section @ sink
1/4\"/>



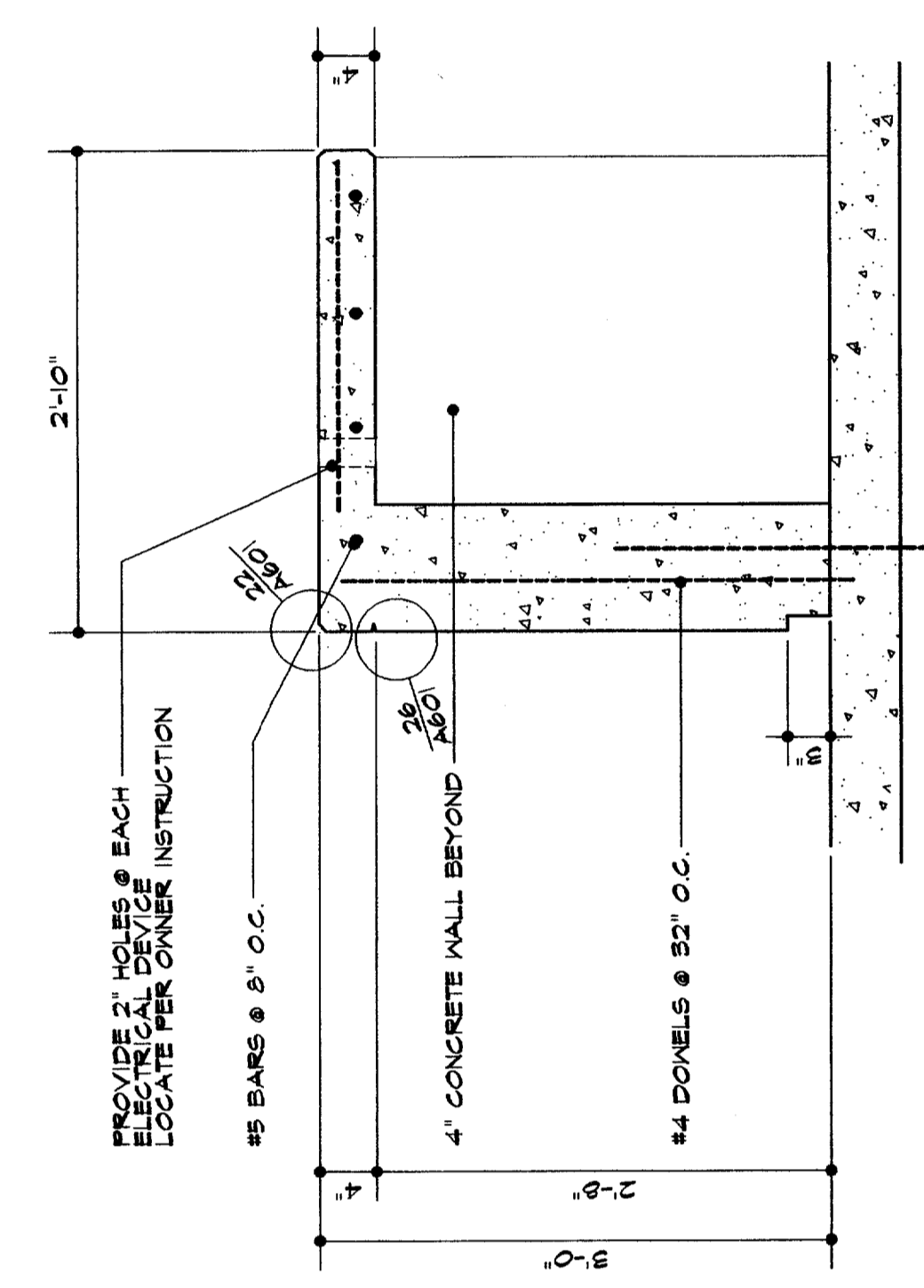
3 cabinet section
1/4\"/>



6 cabinet section
1/4\"/>



7 cabinet section
1/4\"/>



4 cabinet section
1/4\"/>

5 cabinet section
not used

ISSUE DATE	FEB. 20, 2002
REVISIONS	

ADDISON ATHLETIC CLUB EXPANSION
AND
LEISURE POOL
ADDISON, TEXAS

RON HOBBS ARCHITECTS
614 W. MAIN ST. SUITE #3175
DALLAS, TEXAS 75204
(972) 494-1714
FAX (972) 494-7222



JOB NUMBER
0012
SHEET NAME
CABINET SECTIONS & DETAILS
SHEET NUMBER
A601