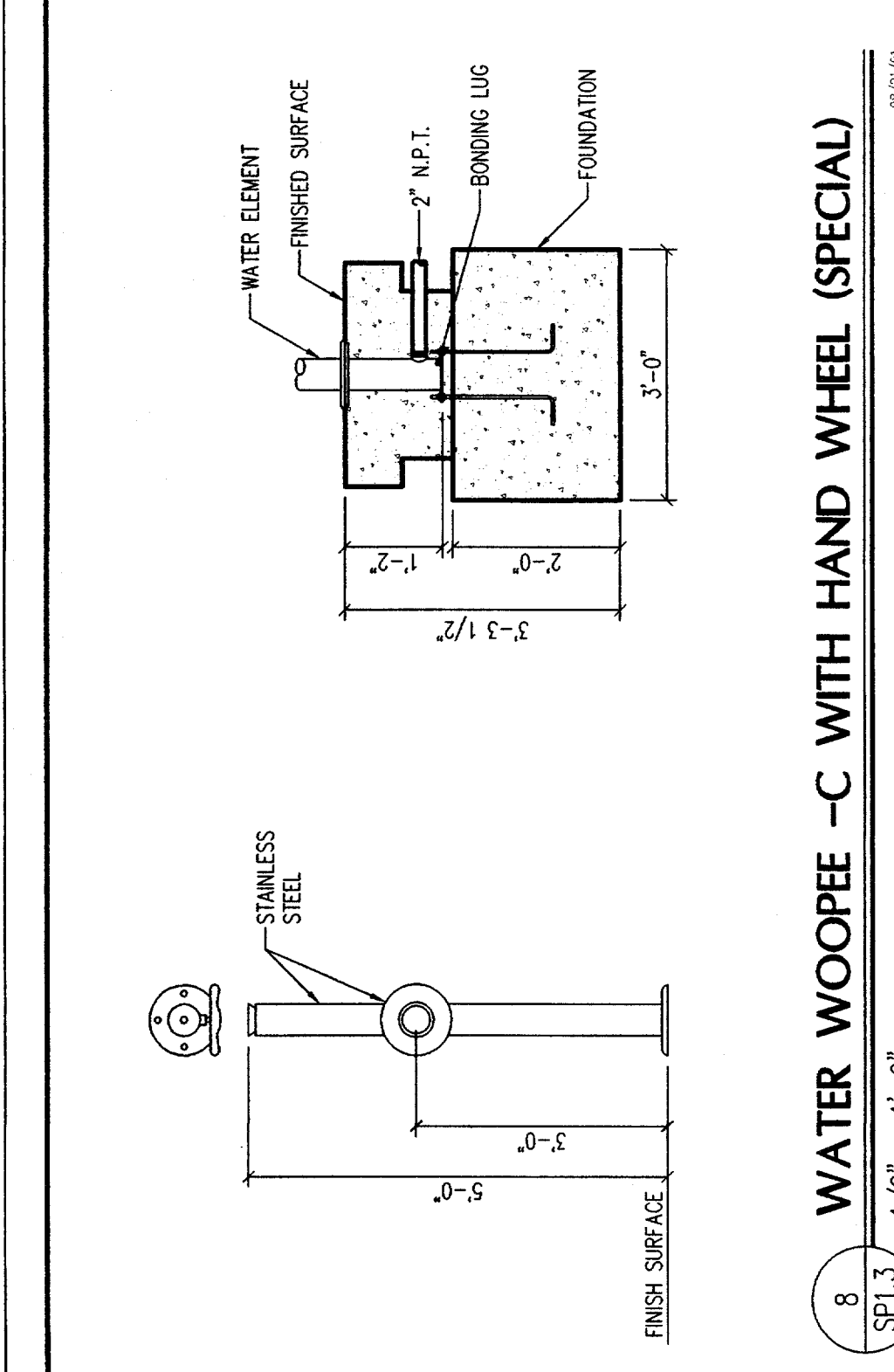
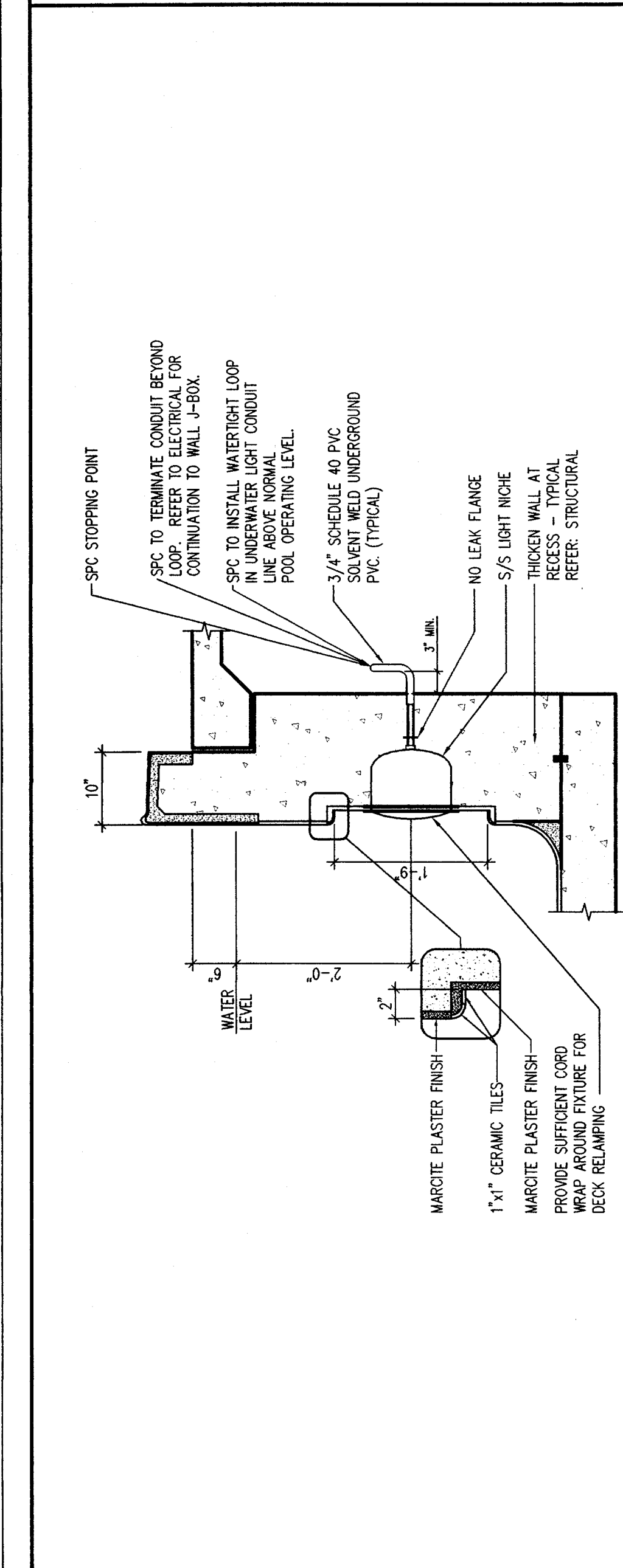


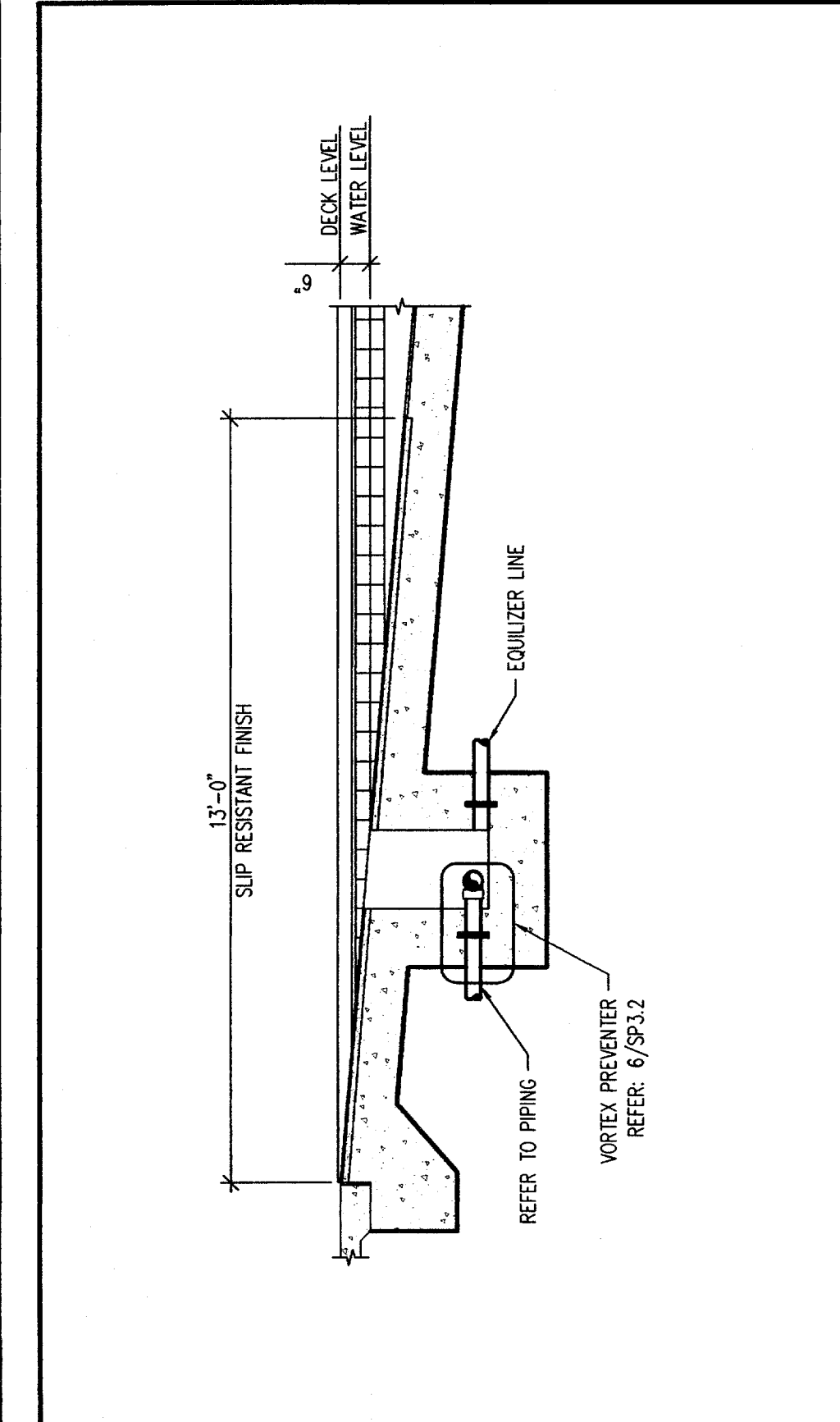
12. CONTRASTING NOSING TILE
 SPT.3 6" = 1'-0"



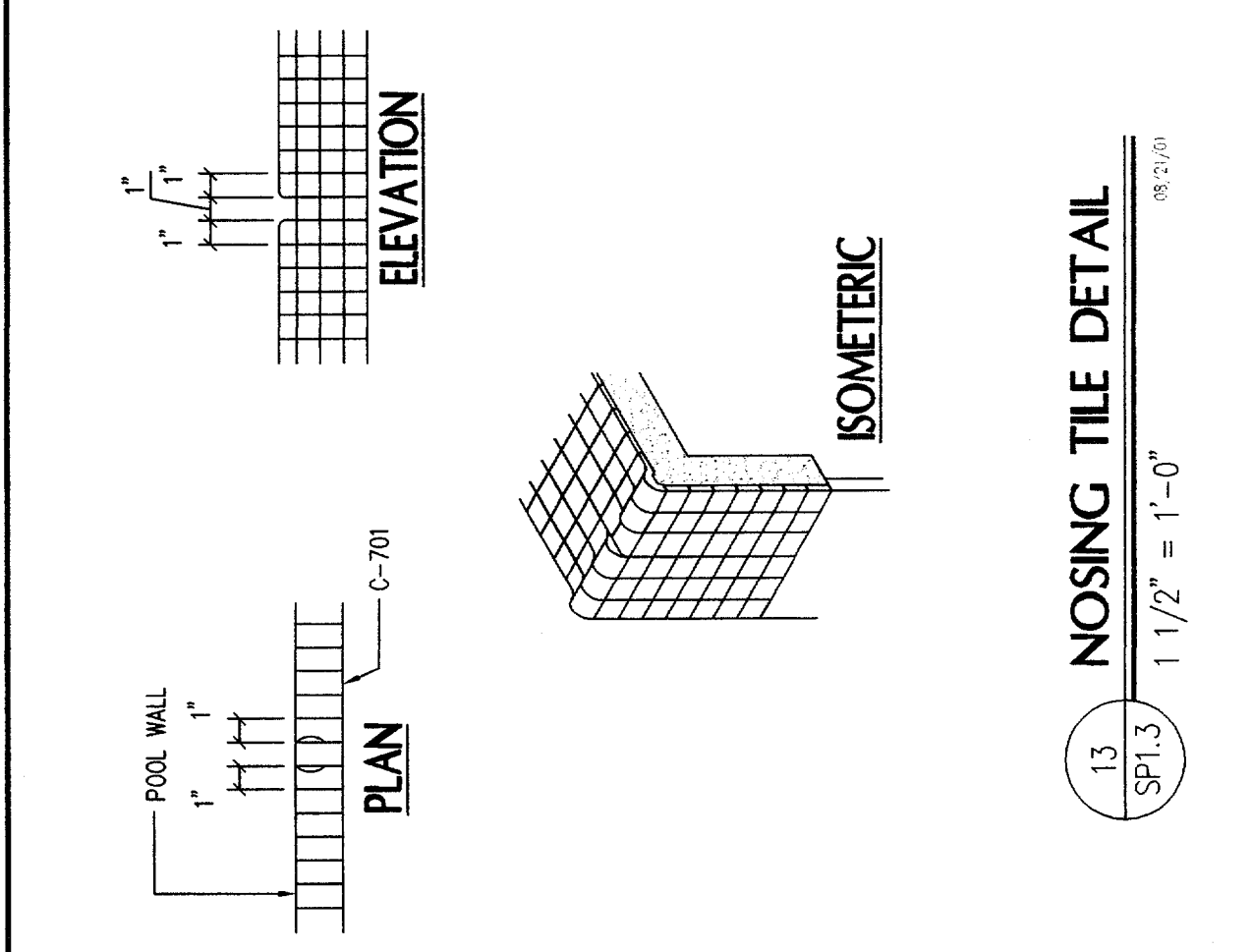
8. WATER WOOPEE - C WITH HAND WHEEL (SPECIAL)
 SPT.3 1/2" = 1'-0"



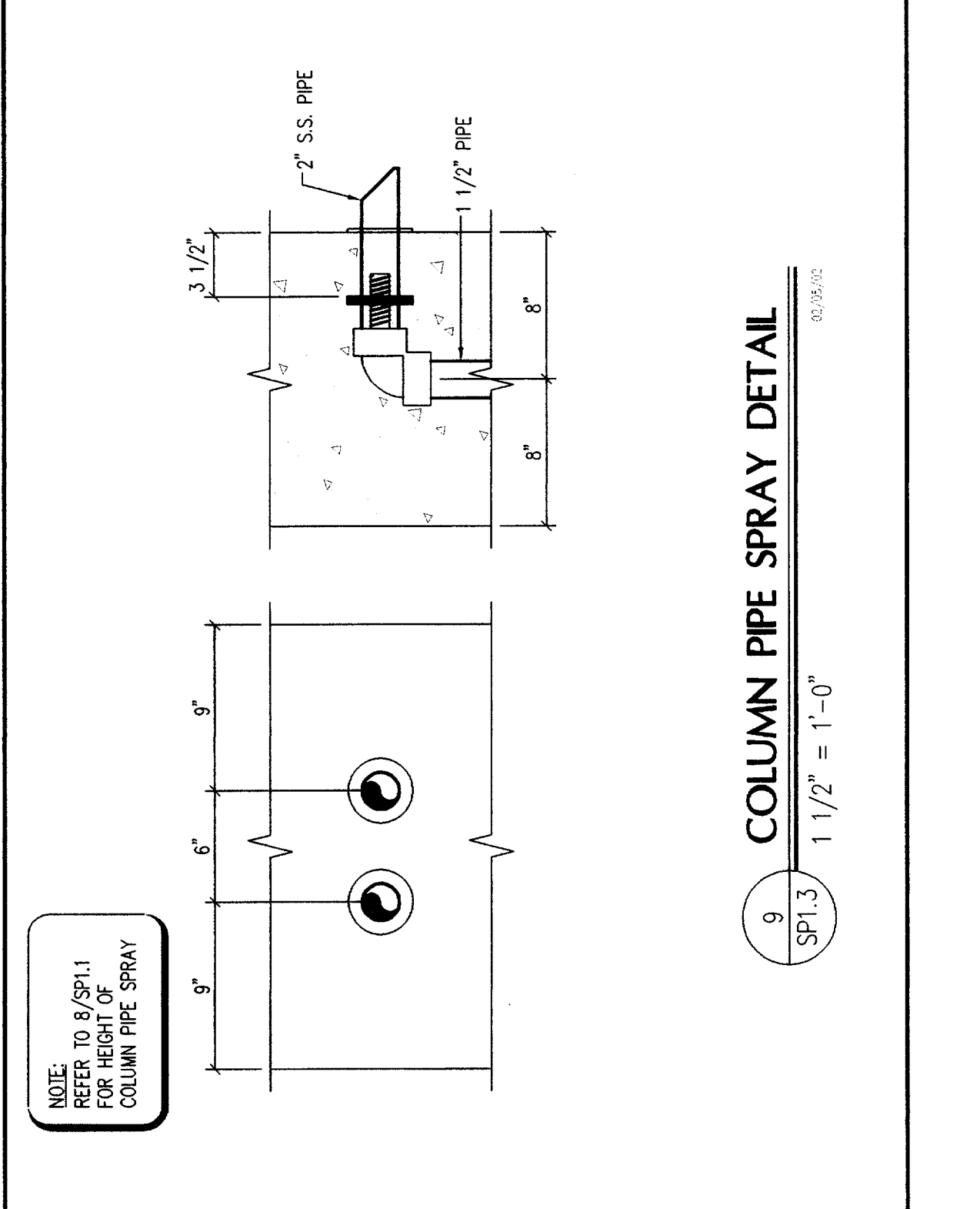
4. VORTEX UNDERWATER LIGHT
 SPT.3 3/4" = 1'-0"



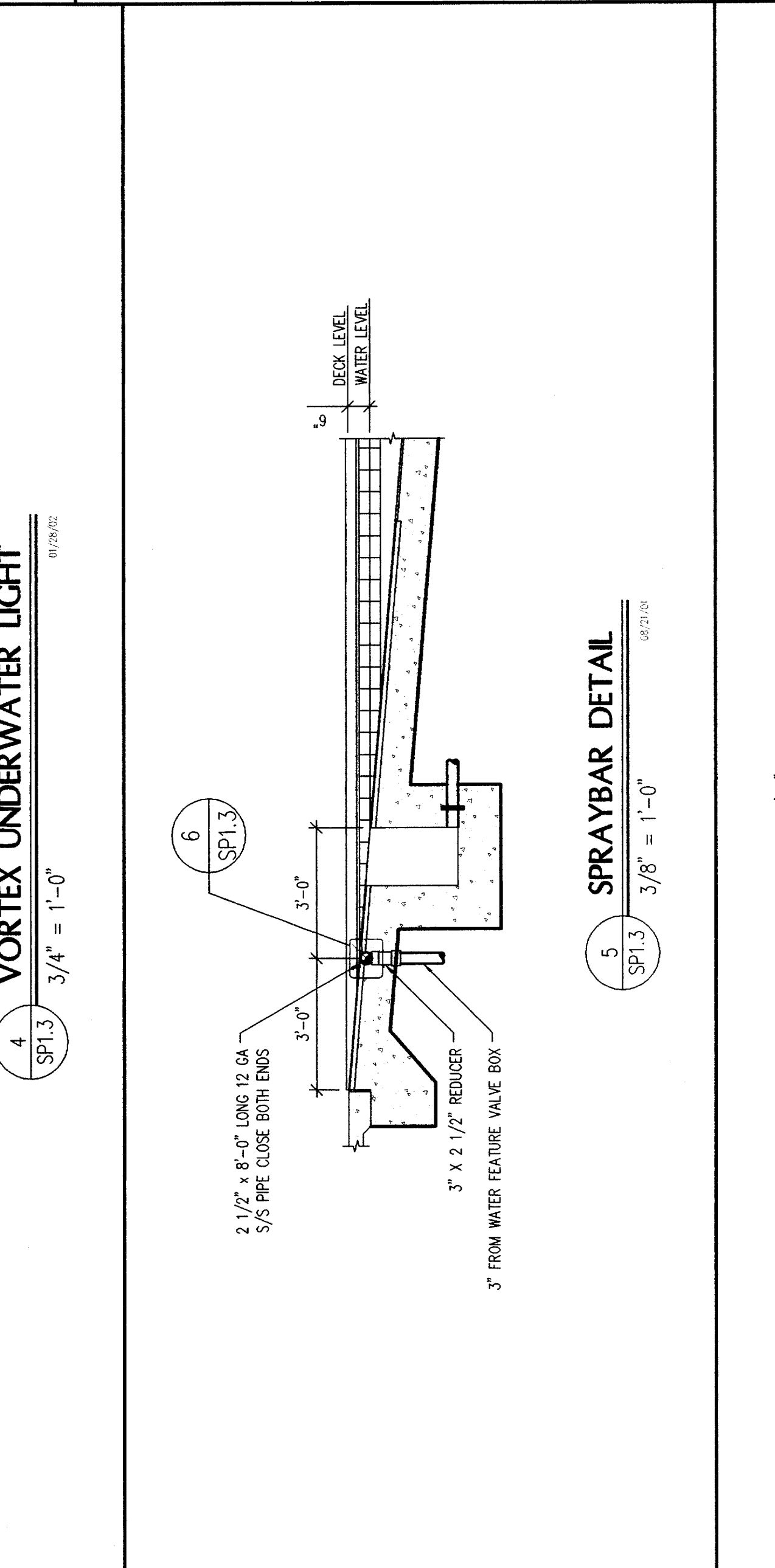
1. ZERO BEACH ENTRY DETAIL
 SPT.3 3/8" = 1'-0"



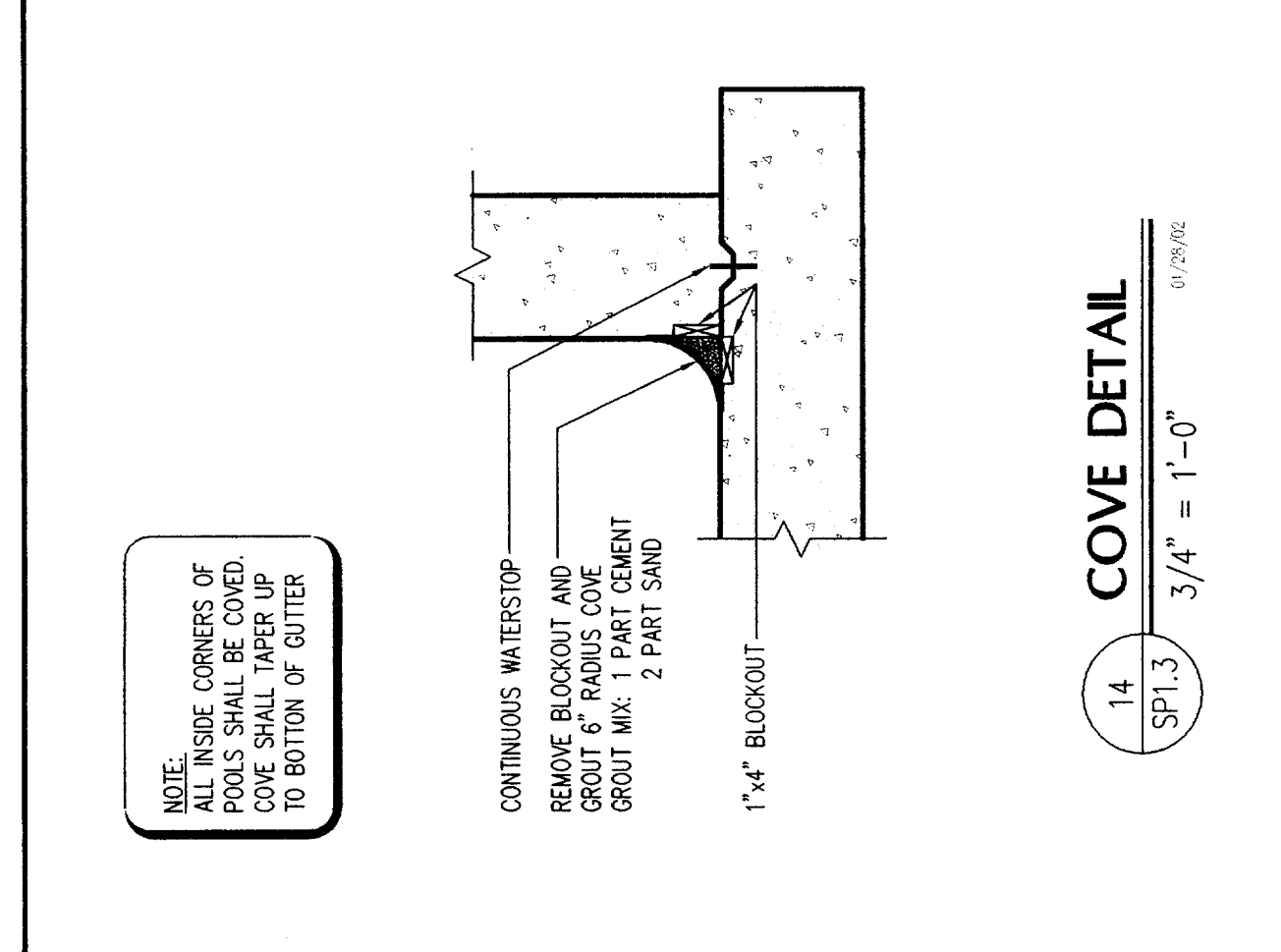
13. NOSING TILE DETAIL
 SPT.3 1 1/2" = 1'-0"



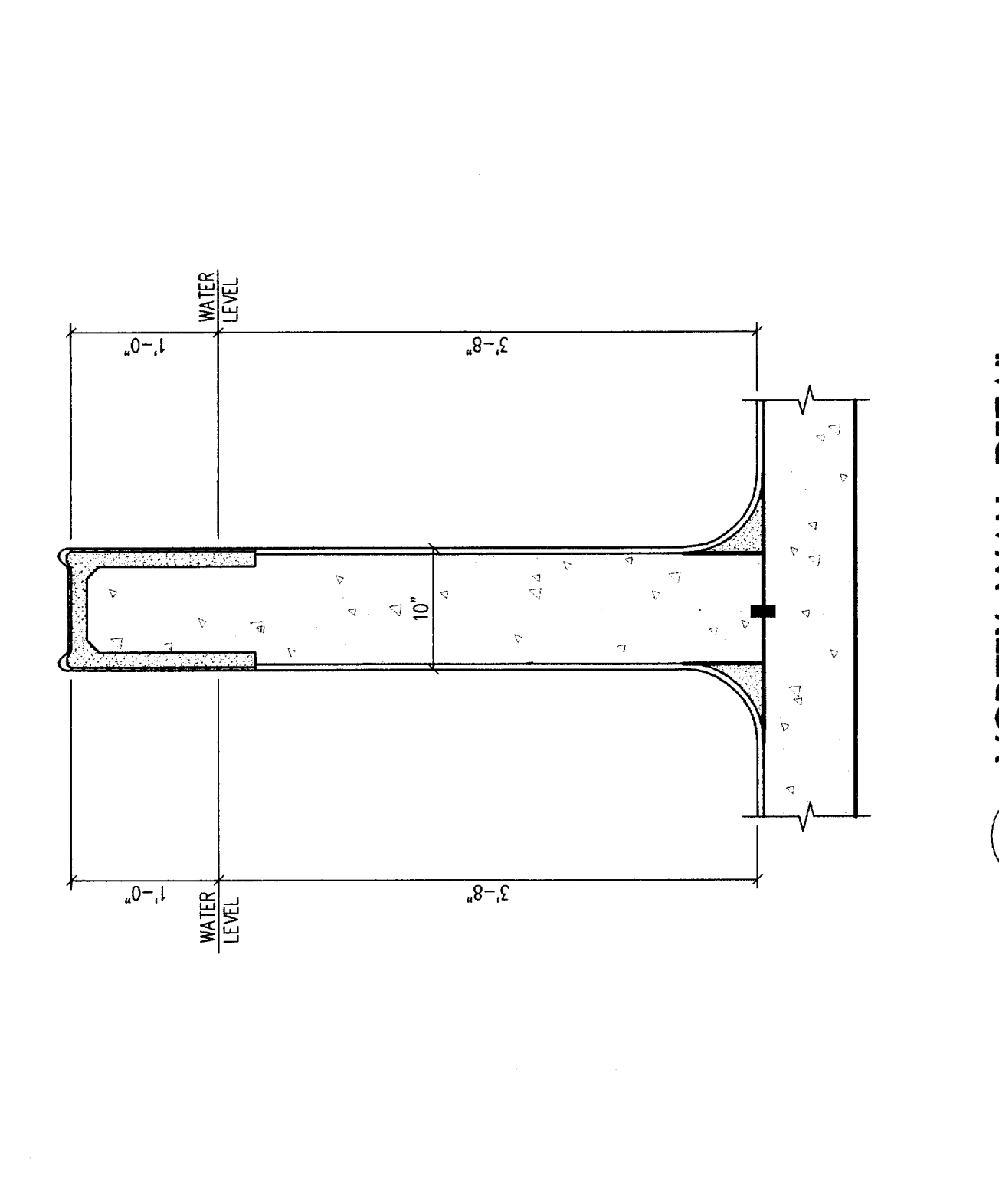
9. COLUMN PIPE SPRAY DETAIL
 SPT.3 1 1/2" = 1'-0"



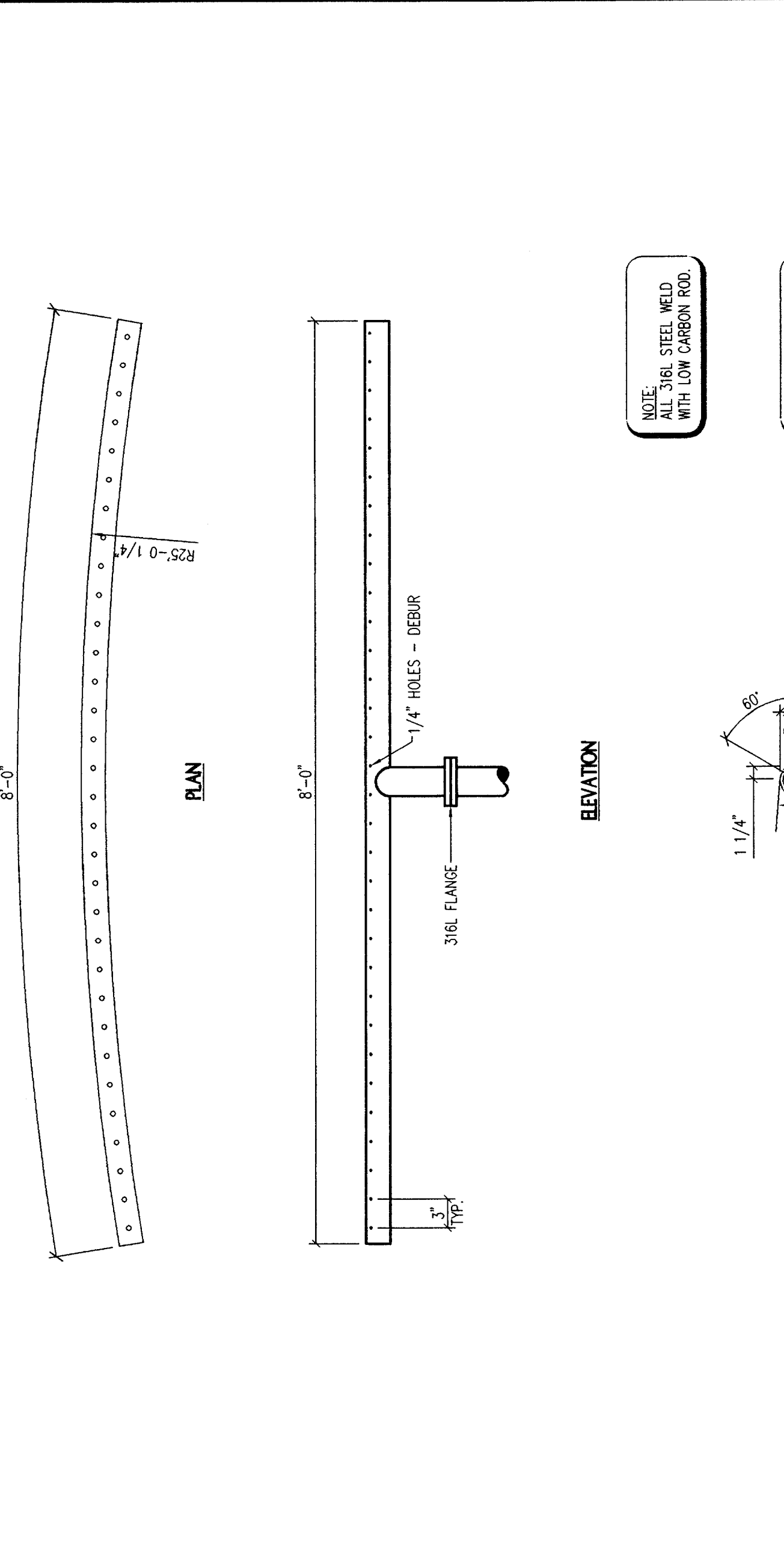
5. SPRAYBAR DETAIL
 SPT.3 3/8" = 1'-0"



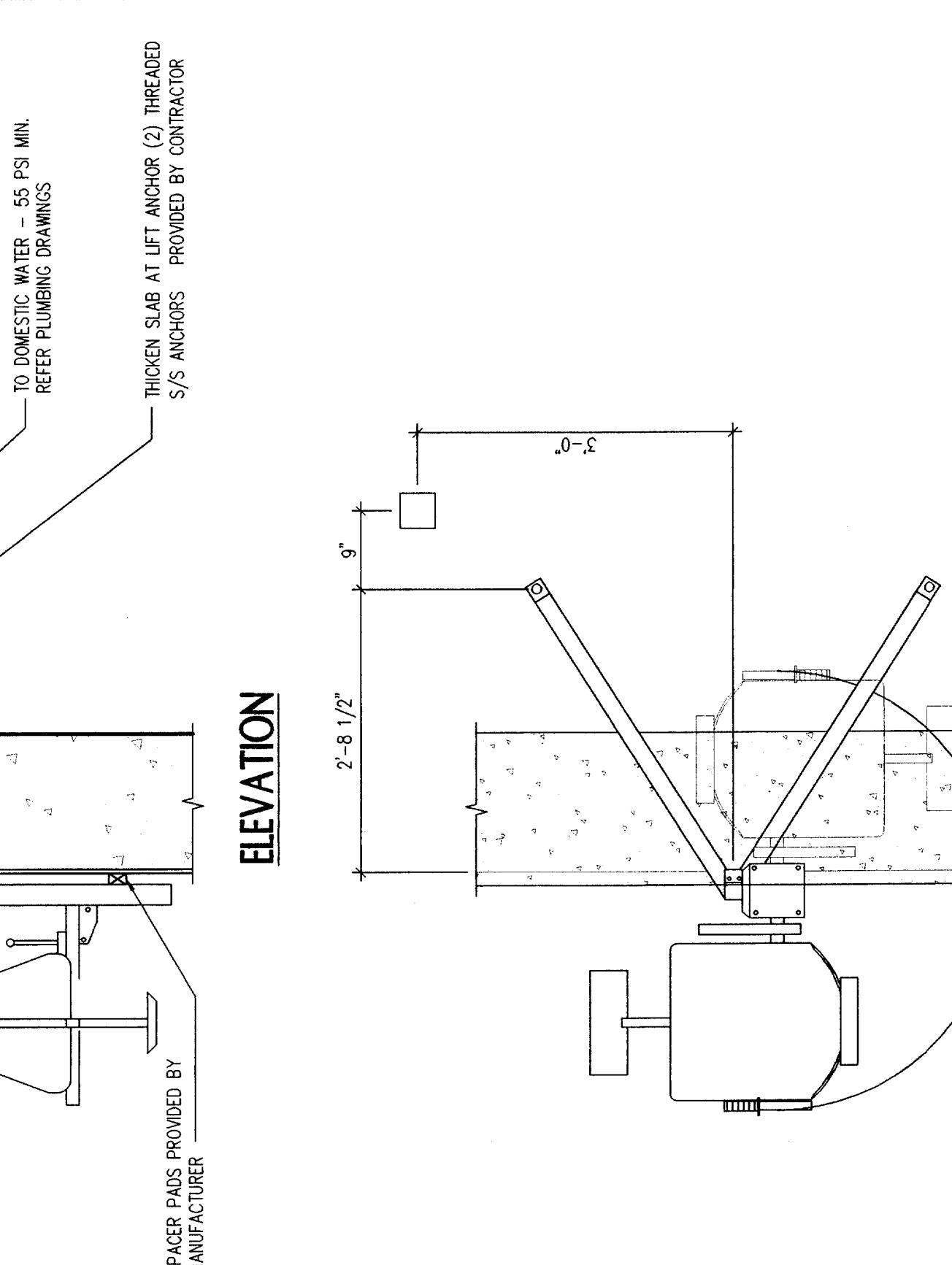
14. COVE DETAIL
 SPT.3 3/4" = 1'-0"



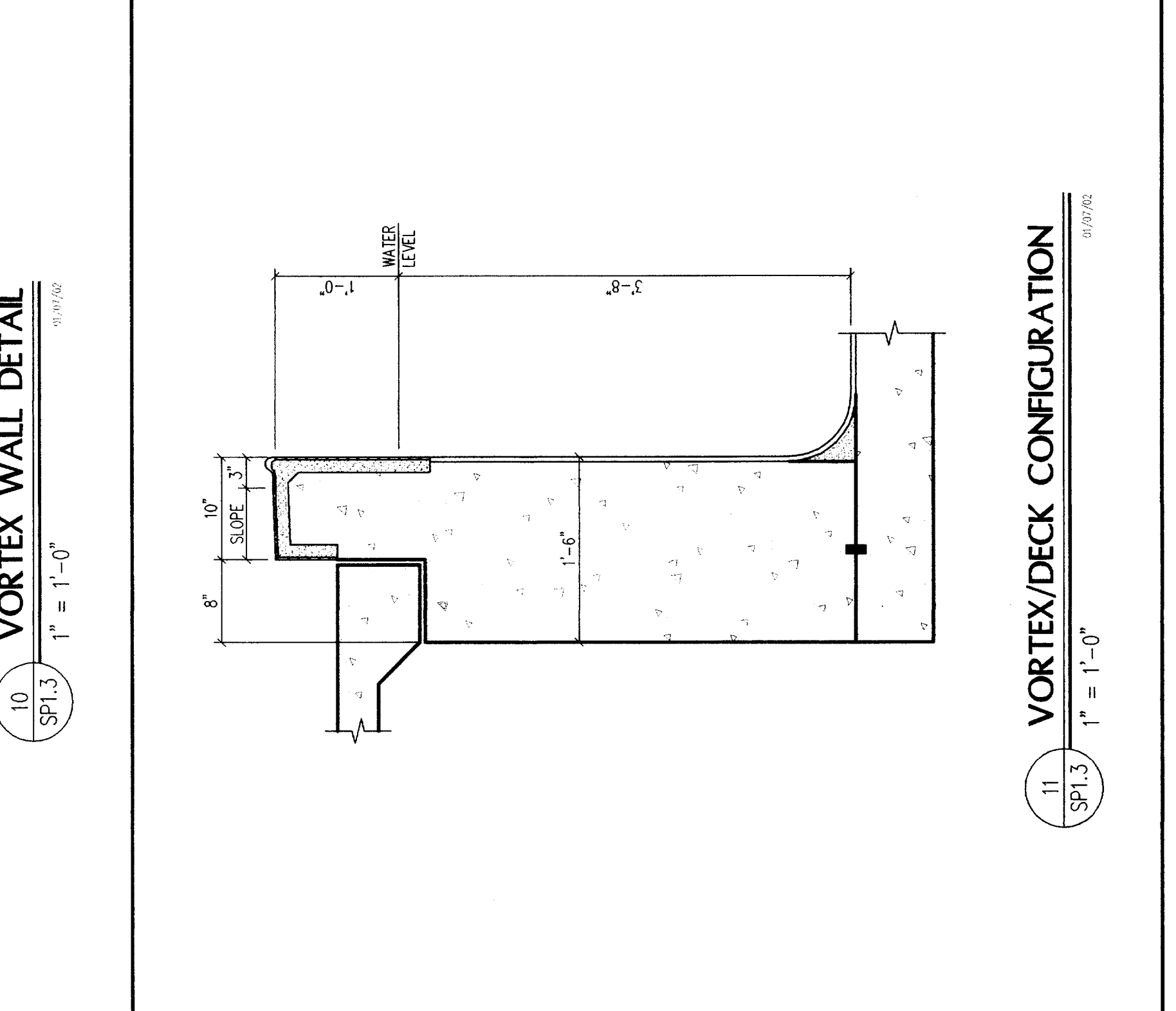
10. VORTEX WALL DETAIL
 SPT.3 1" = 1'-0"



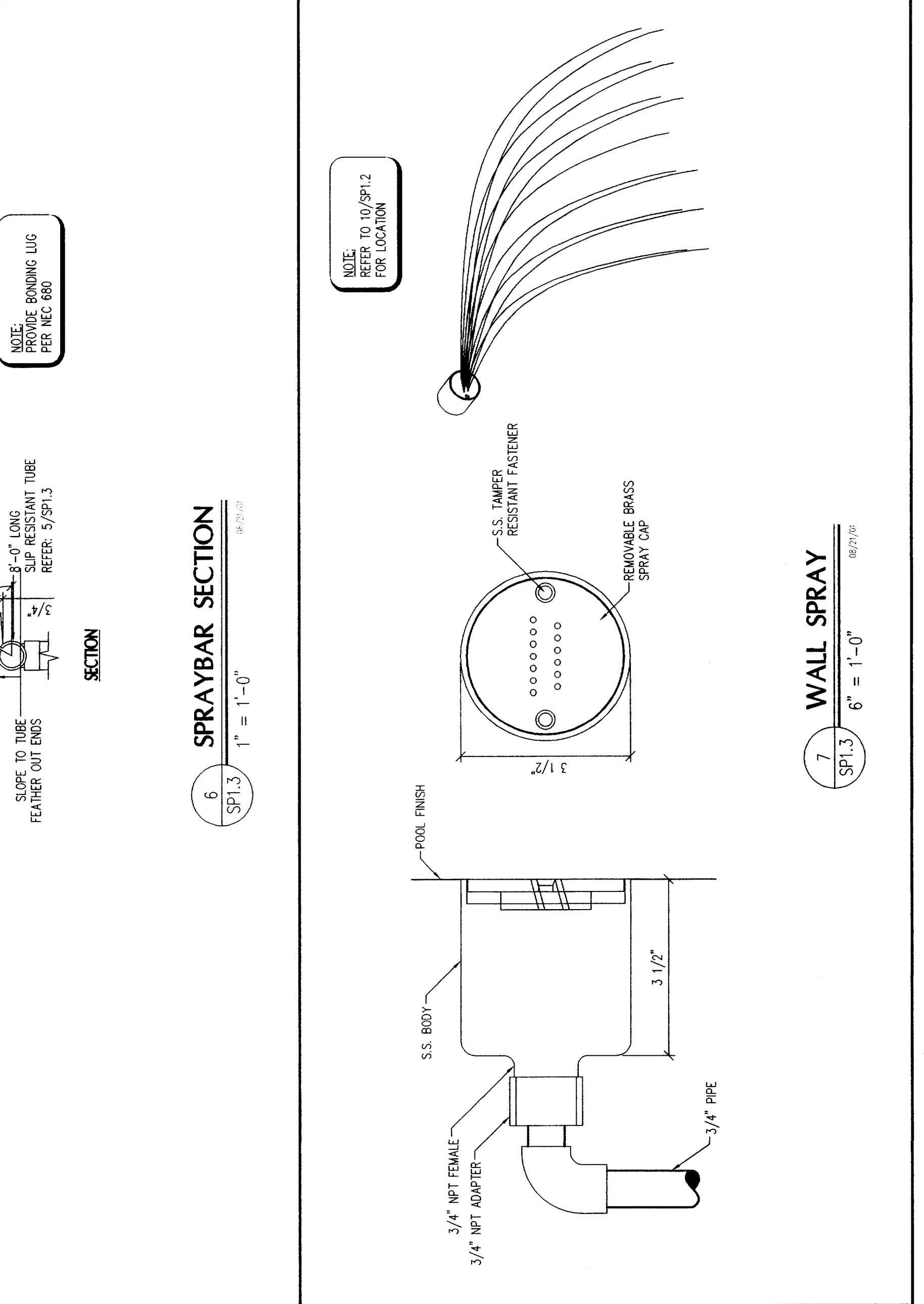
6. SPRAYBAR SECTION
 SPT.3 1" = 1'-0"



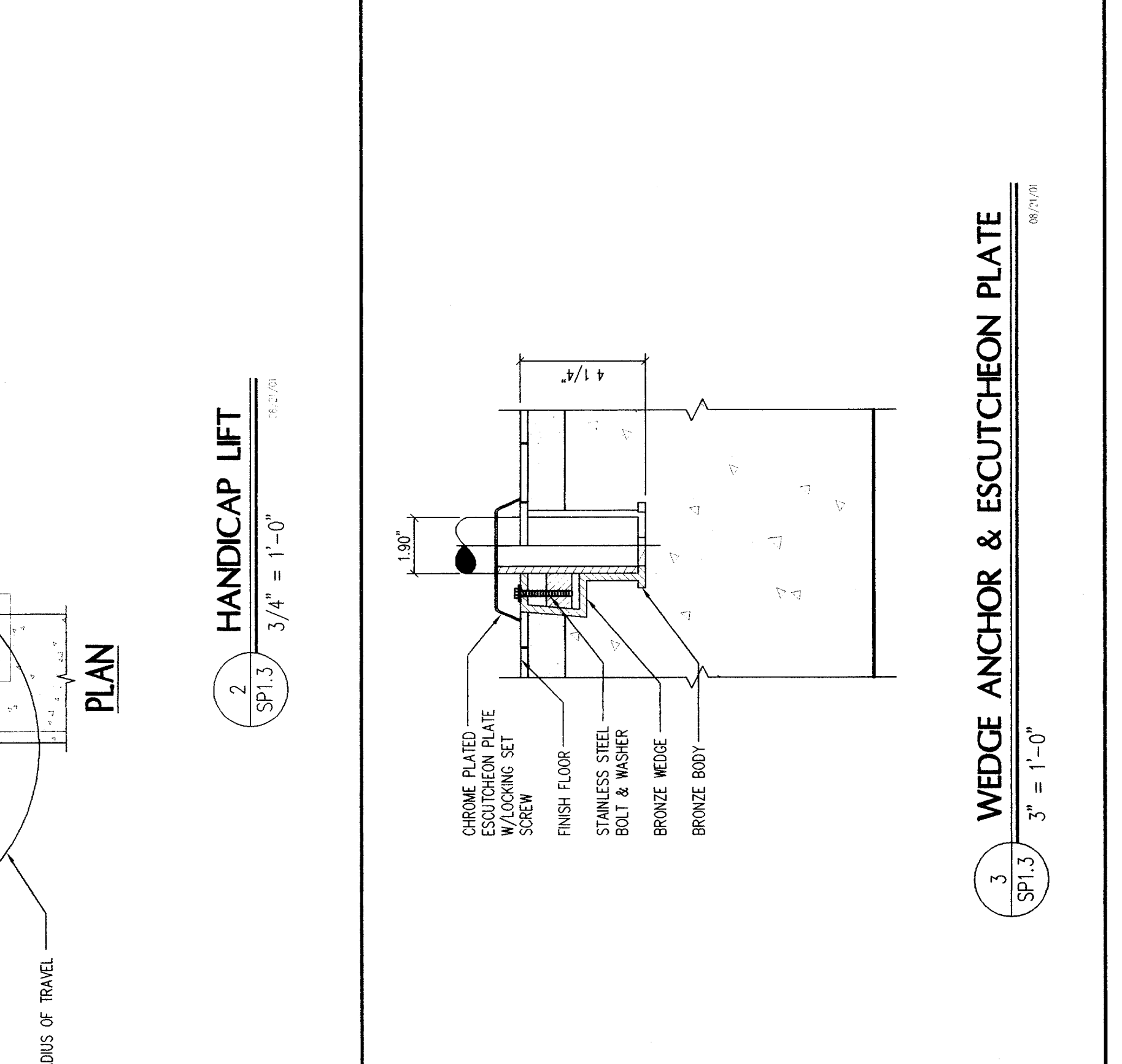
2. HANDICAP LIFT
 SPT.3 3/4" = 1'-0"



11. VORTEX/DECK CONFIGURATION
 SPT.3 1" = 1'-0"



7. WALL SPRAY
 SPT.3 6" = 1'-0"



3. WEDGE ANCHOR & ESCUTCHEON PLATE
 SPT.3 3" = 1'-0"