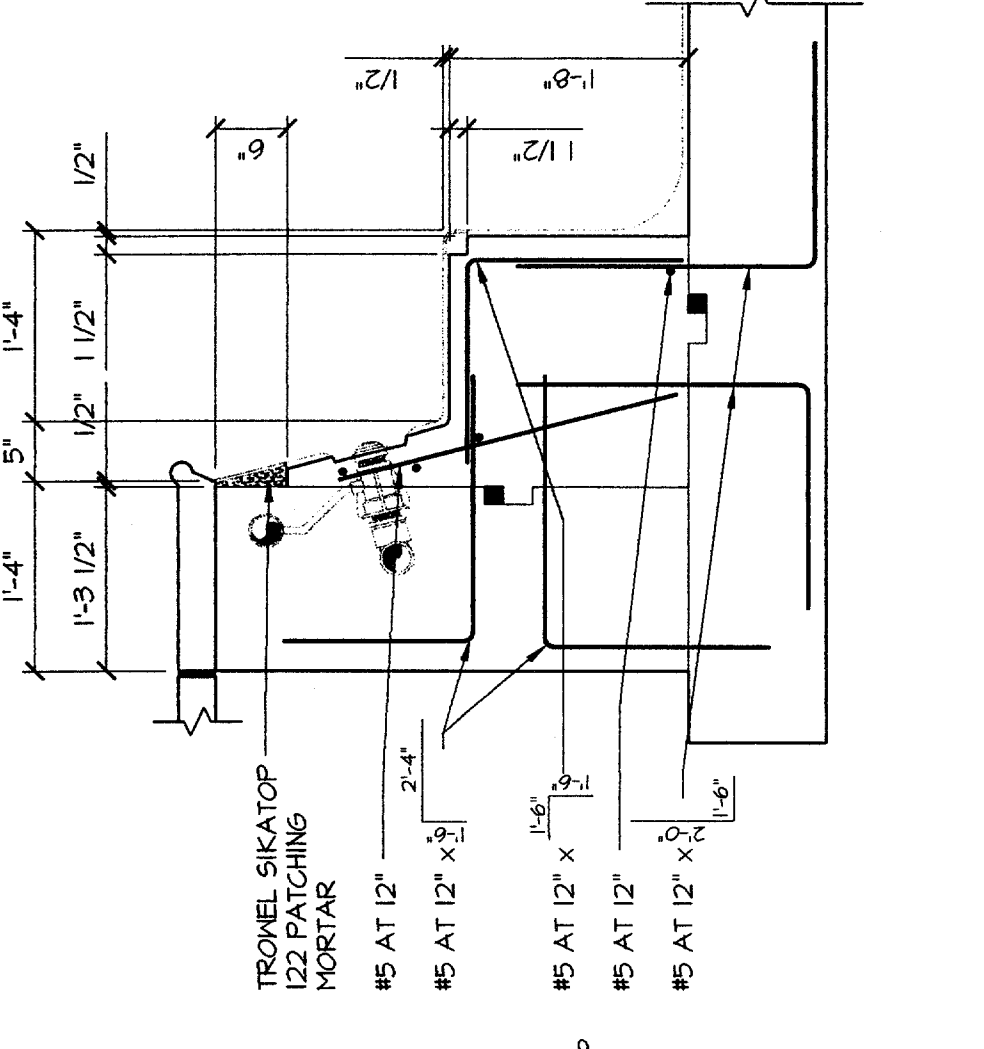
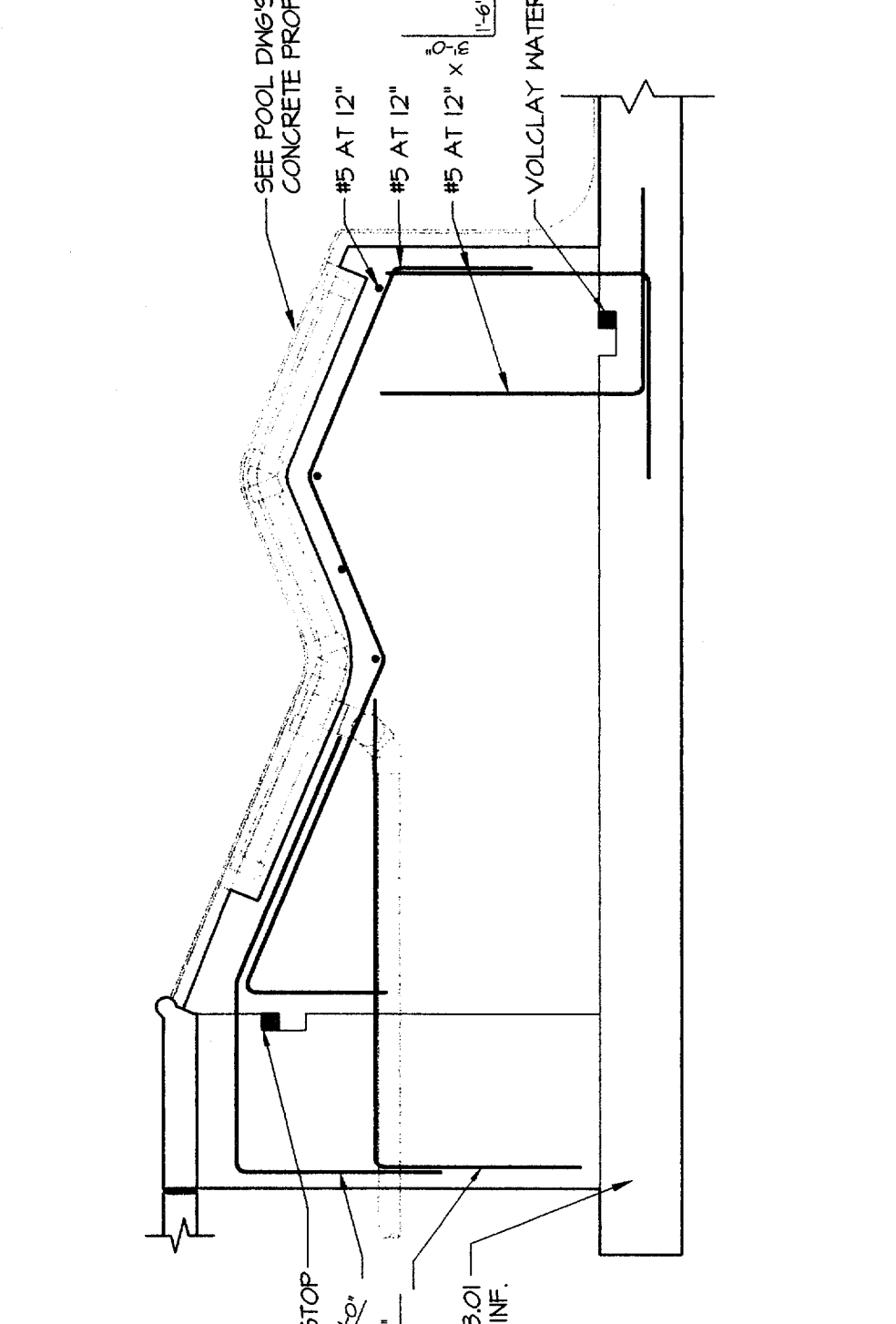


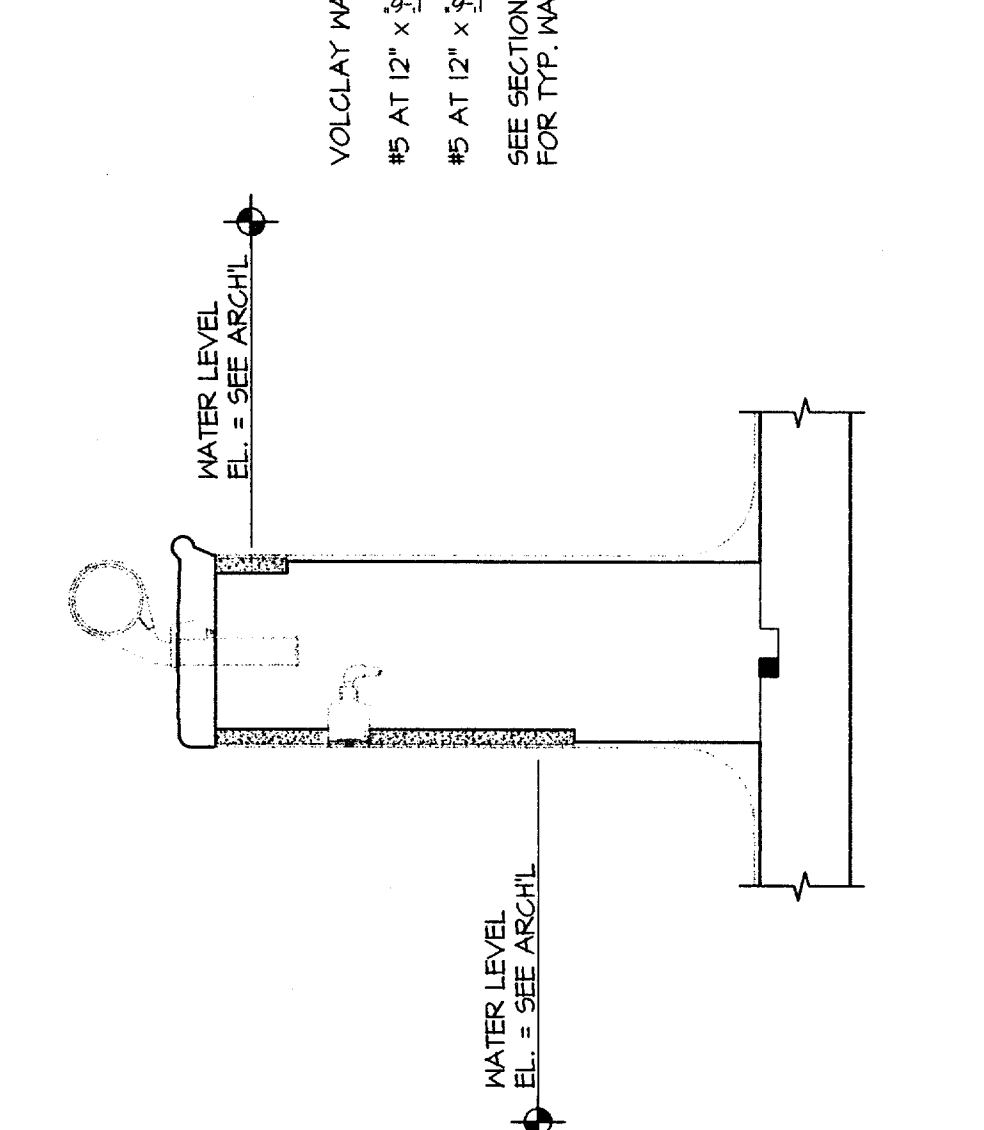
05 TYPICAL DETAIL  
3/4" = 1'-0"



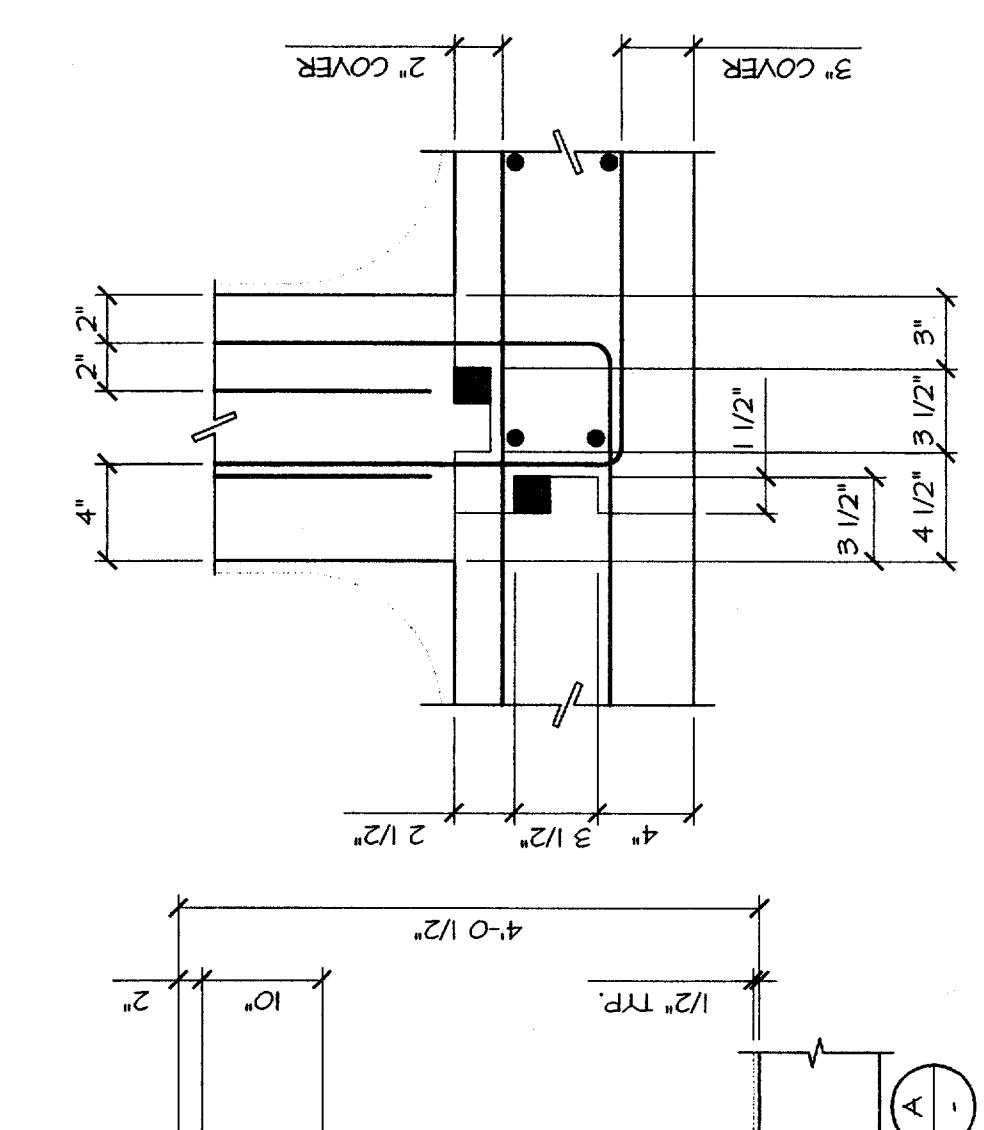
04 TYPICAL DETAIL  
3/4" = 1'-0"



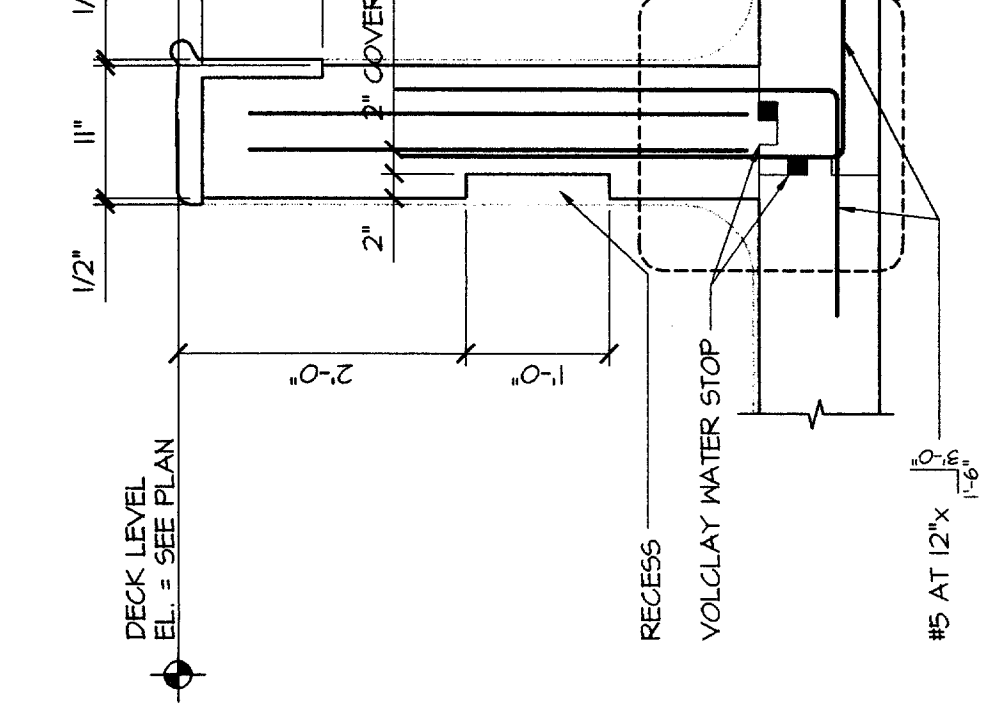
03 TYPICAL DETAIL  
3/4" = 1'-0"



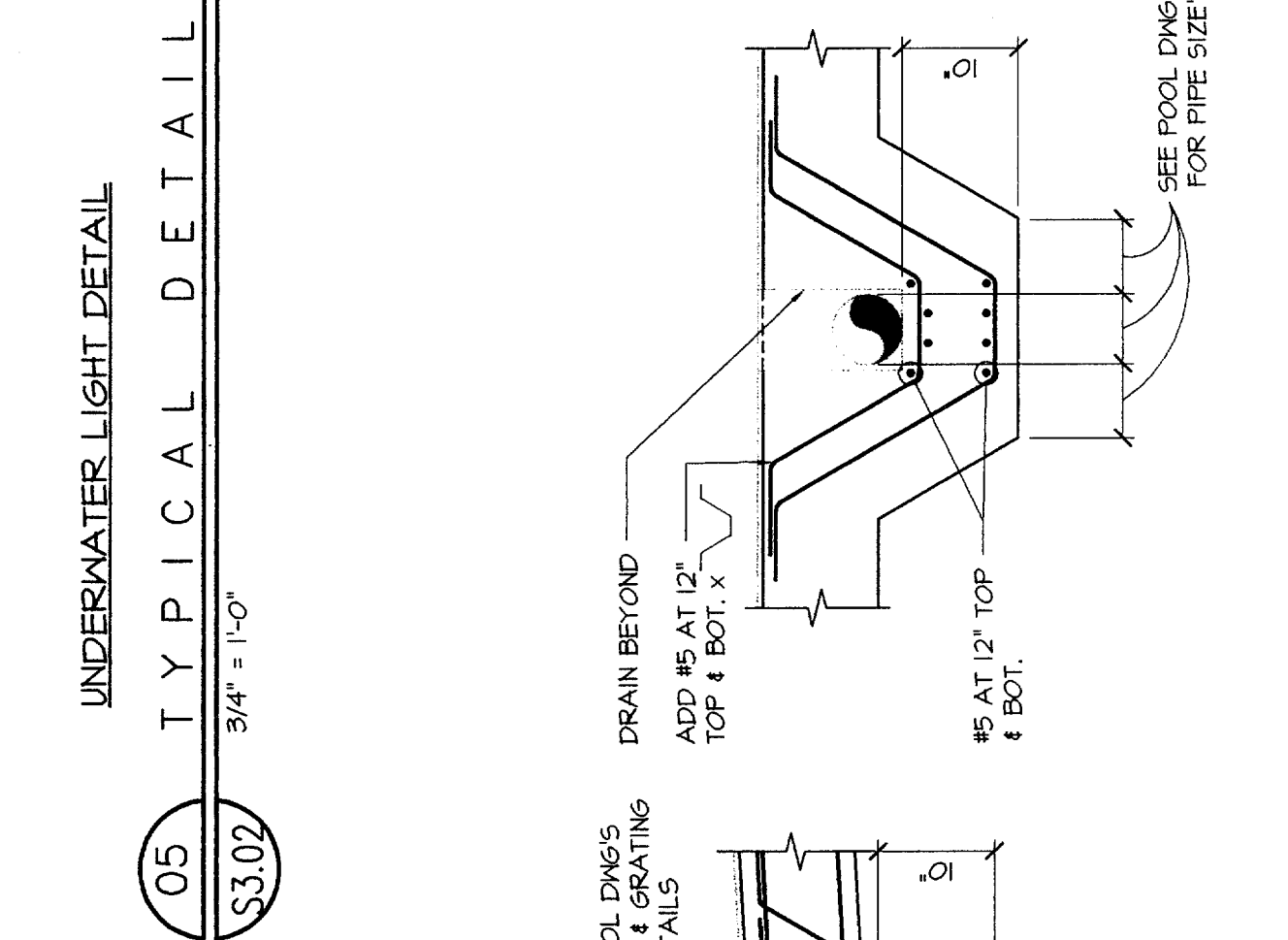
02 TYPICAL DETAIL  
3/4" = 1'-0"



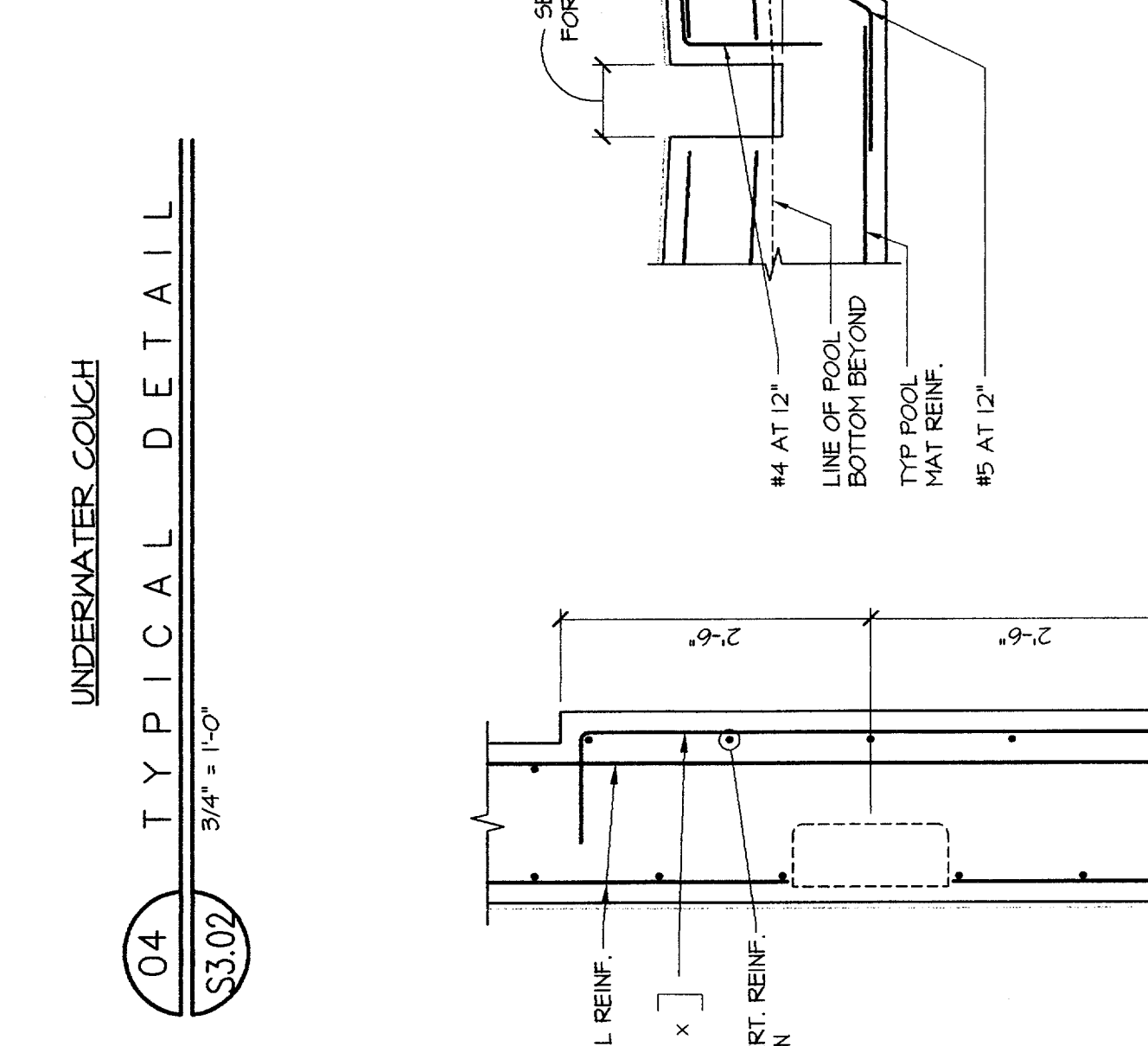
01 TYPICAL DETAIL  
3/4" = 1'-0"



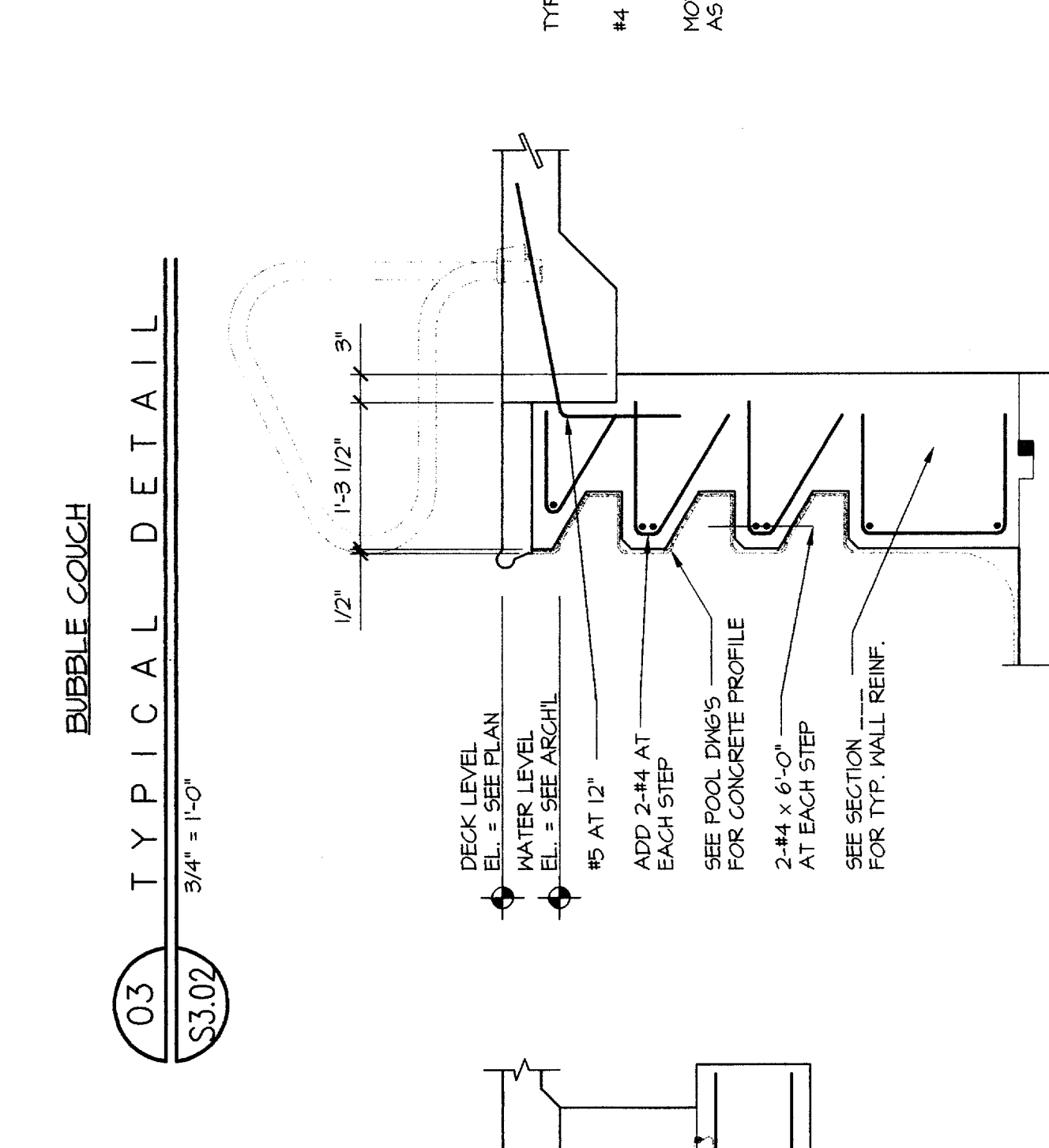
06 TYPICAL DETAIL  
3/4" = 1'-0"



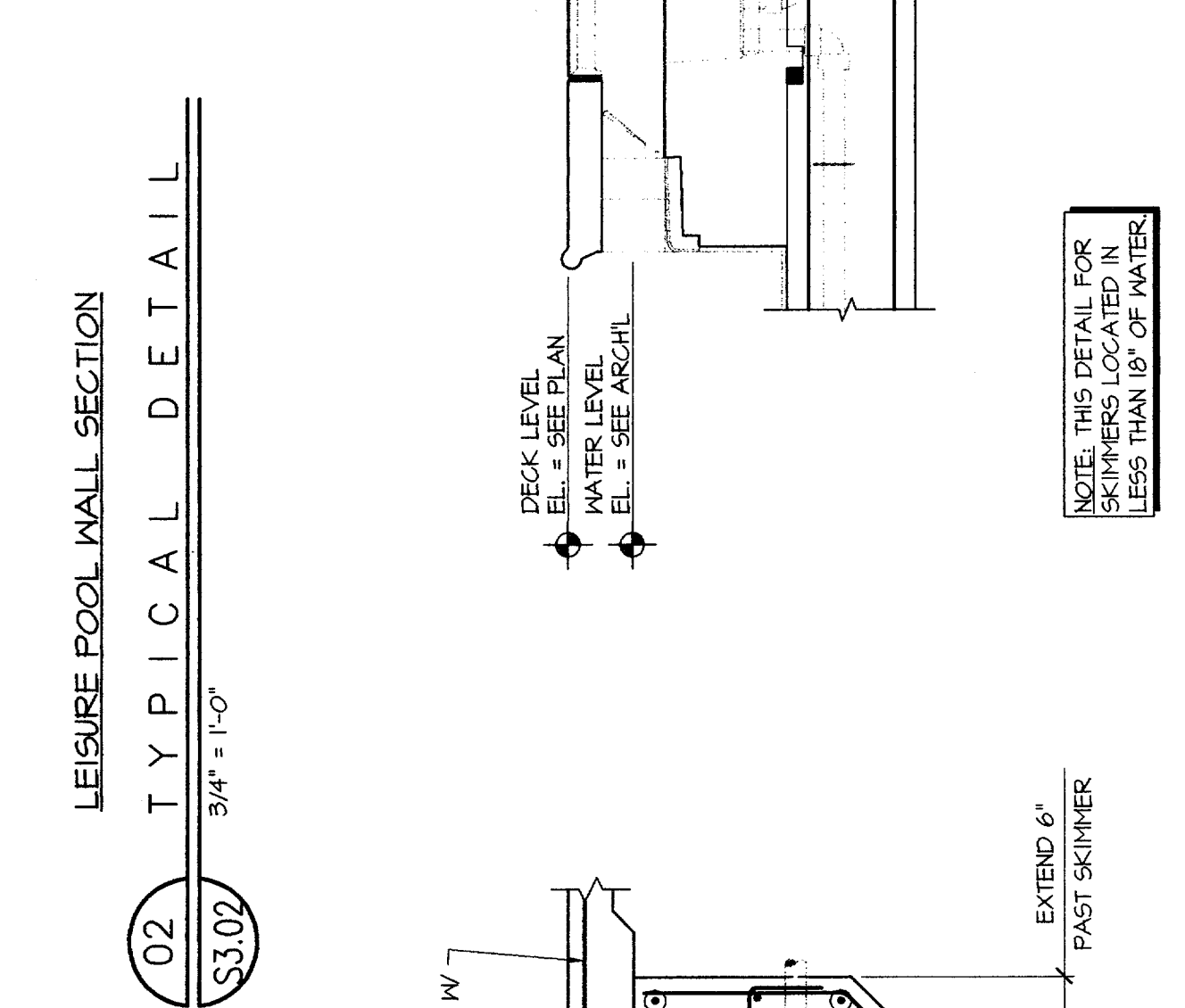
10 TYPICAL DETAIL  
3/4" = 1'-0"



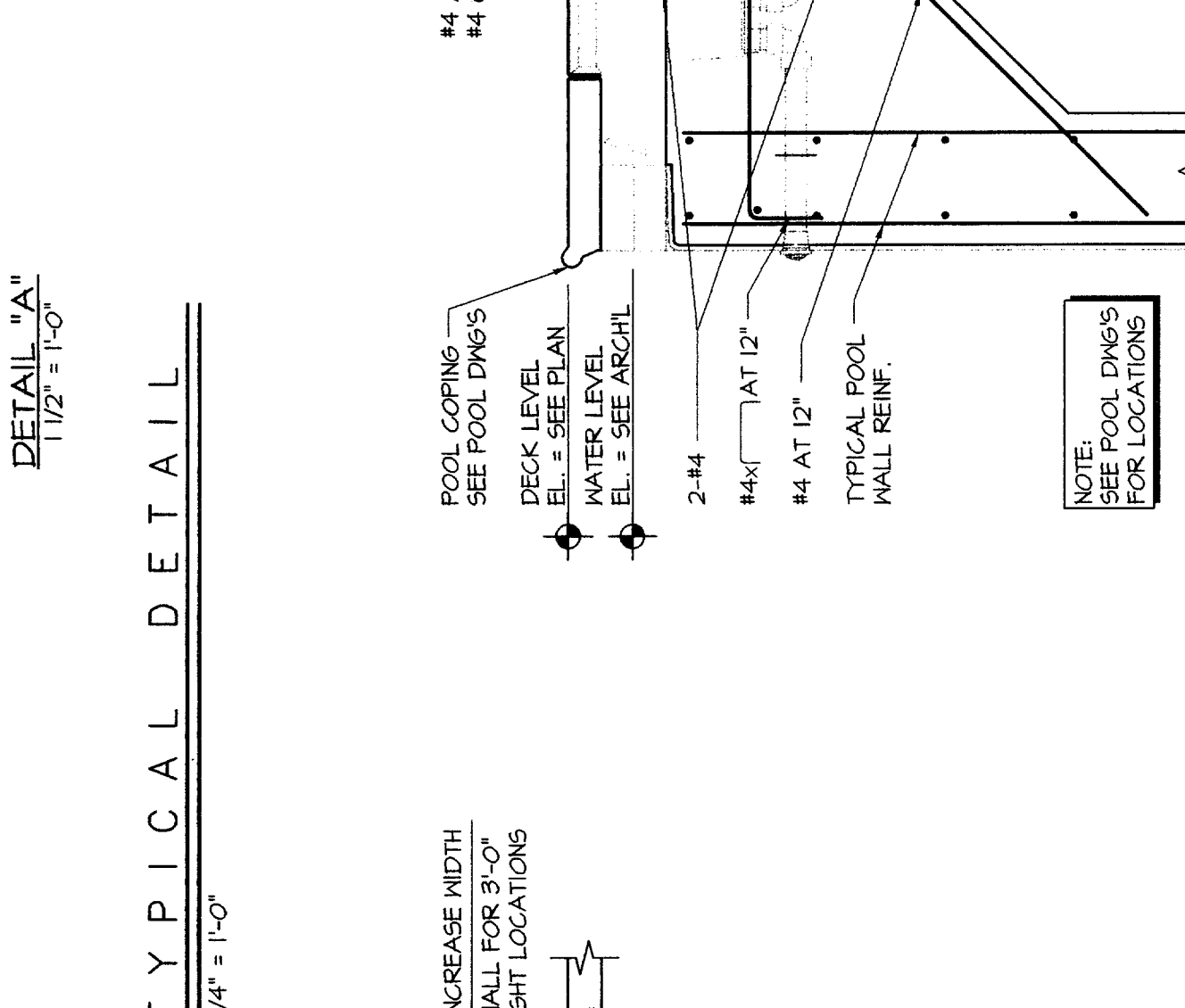
09 TYPICAL DETAIL  
3/4" = 1'-0"



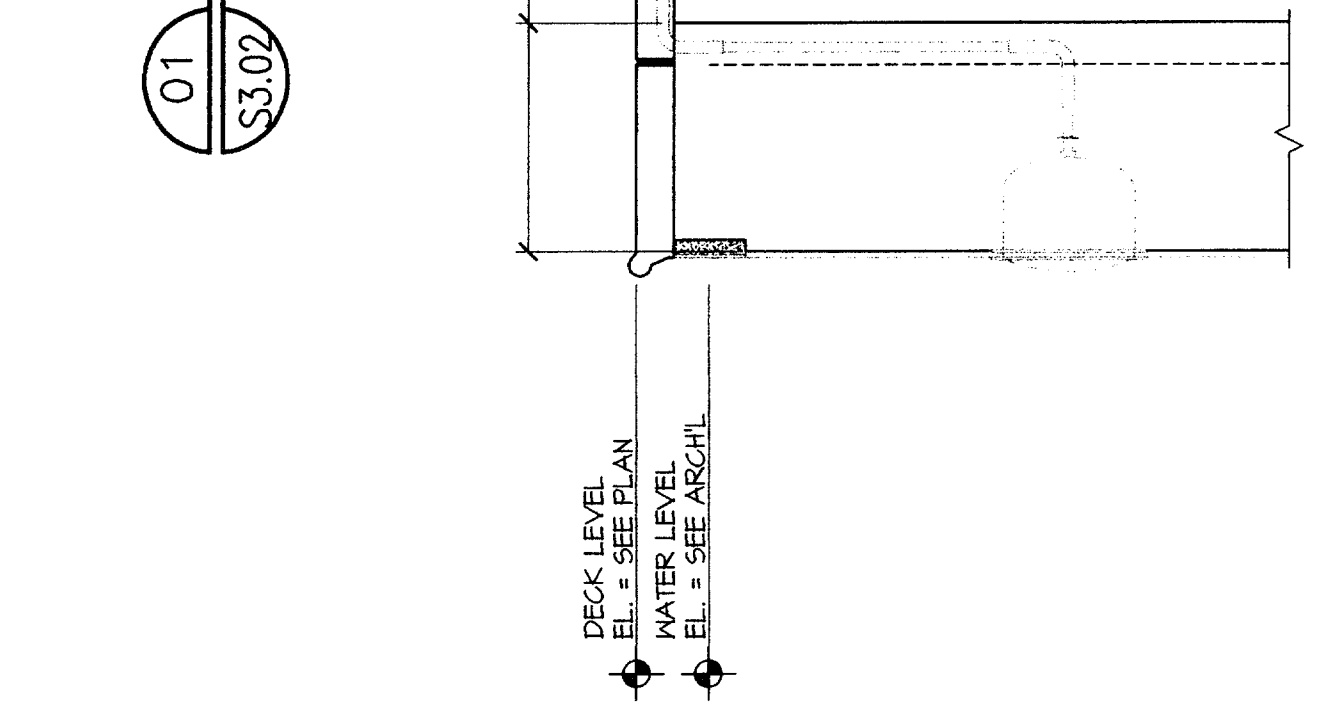
08 TYPICAL DETAIL  
3/4" = 1'-0"



07 TYPICAL DETAIL  
3/4" = 1'-0"



06 TYPICAL DETAIL  
3/4" = 1'-0"



06 TYPICAL DETAIL  
3/4" = 1'-0"



PLAN 'C'



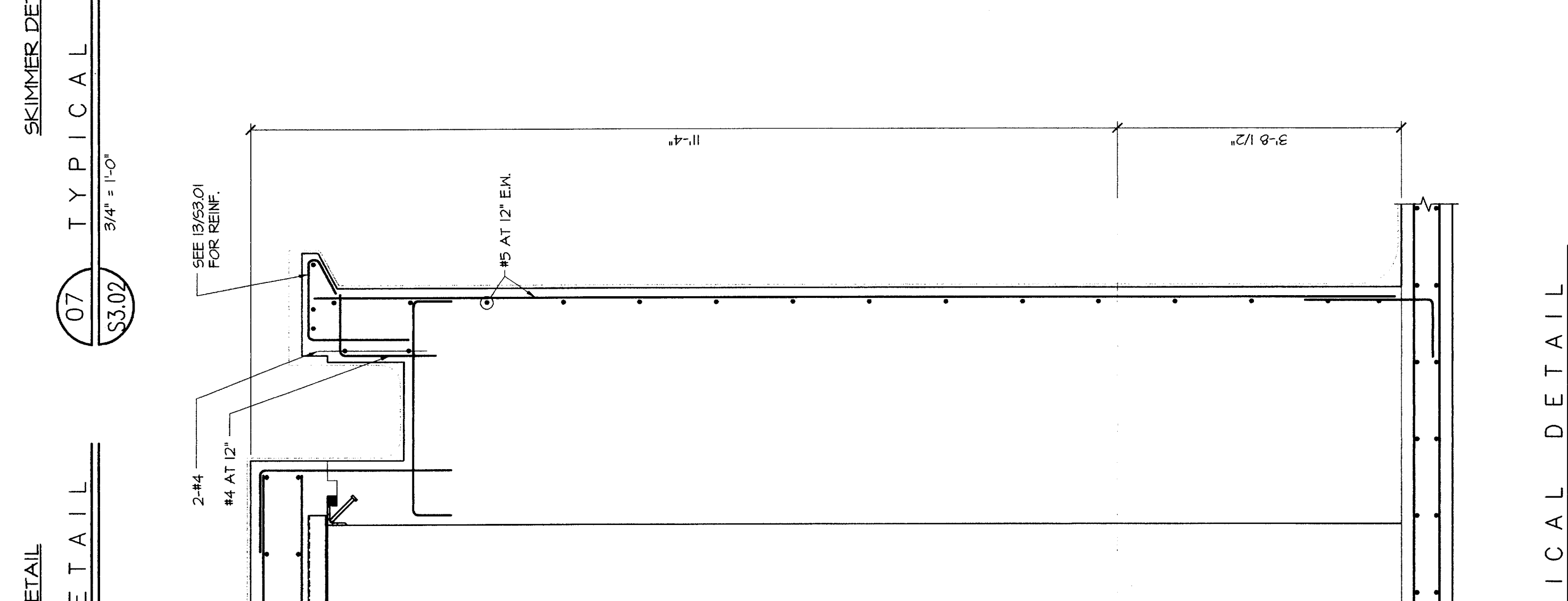
SECTION



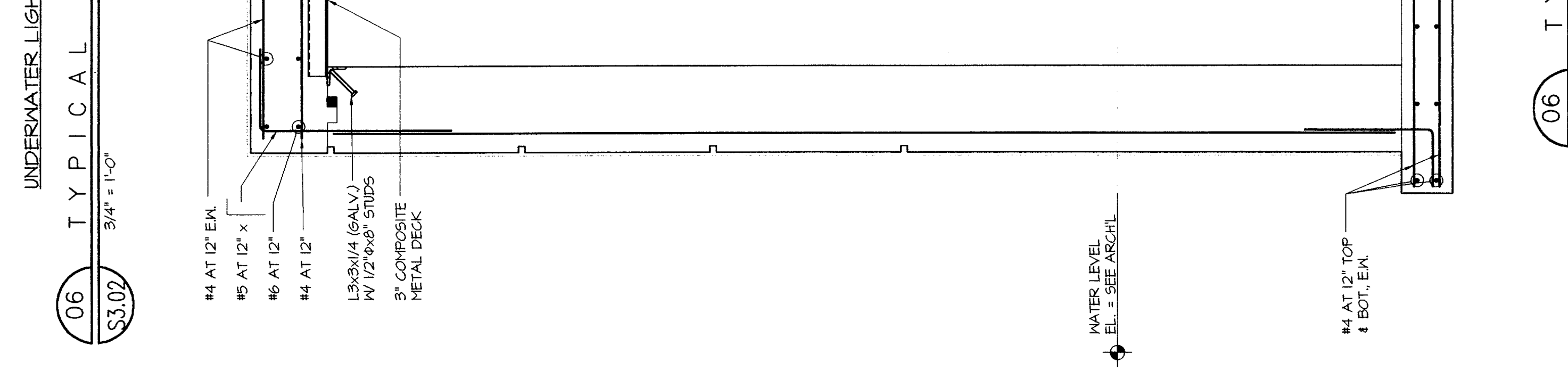
08 TYPICAL DETAIL  
3/4" = 1'-0"



07 TYPICAL DETAIL  
3/4" = 1'-0"



06 TYPICAL DETAIL  
3/4" = 1'-0"



06 TYPICAL DETAIL  
3/4" = 1'-0"