

ISSUE DATE	REVISIONS
FEBRUARY 20, 2002	

ADDISON ATHLETIC CLUB EXPANSION  
LEISURE POOL  
AND  
ADDISON, TEXAS

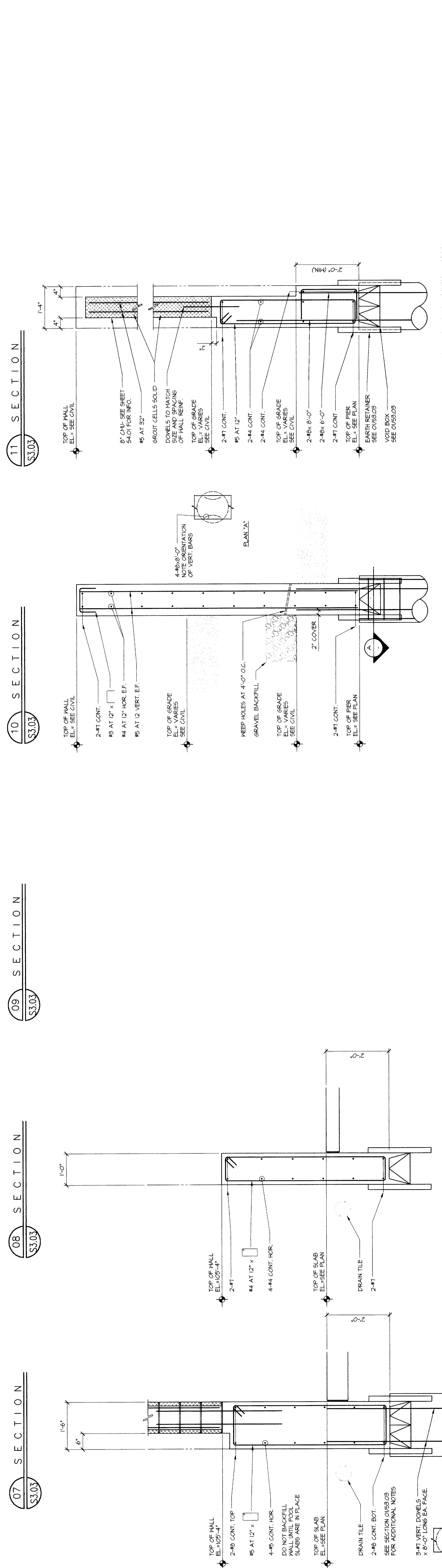
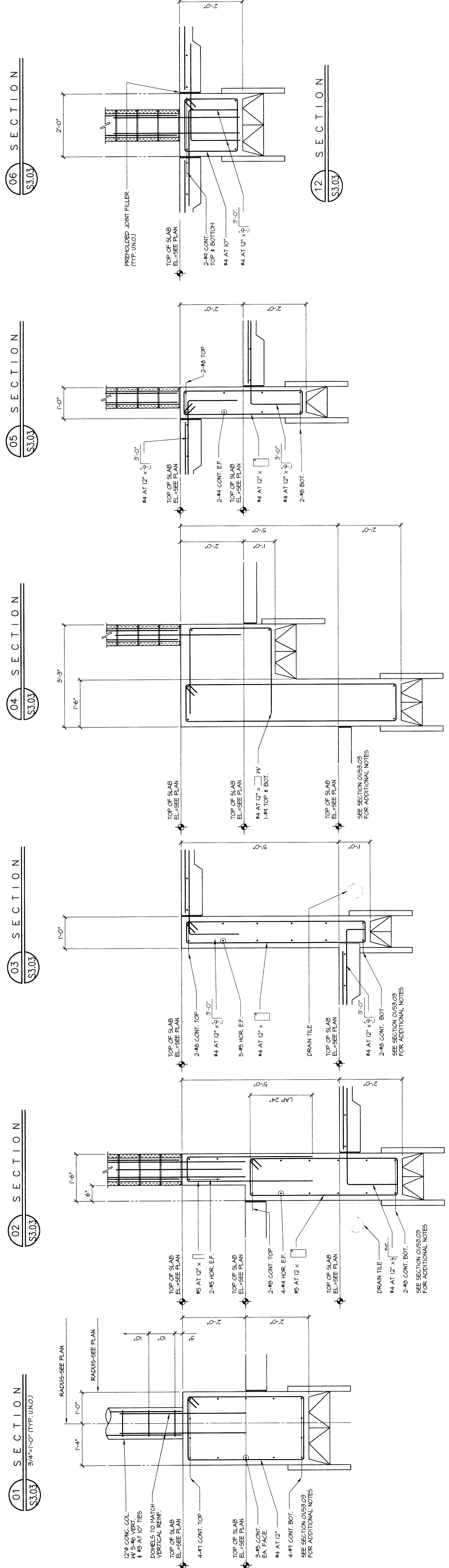
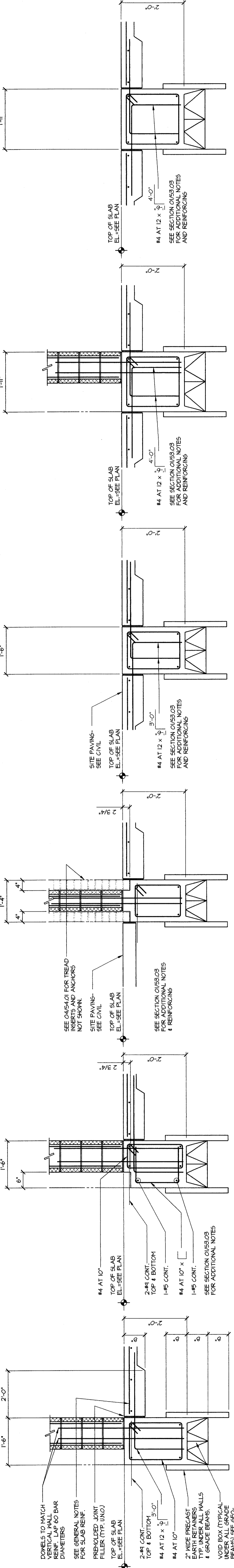
RON HOBBS ARCHITECTS  
614 W. MAIN ST. SUITE #200 GARLAND, TEXAS 75040  
(972) 494-0174 FAX (972) 494-0722

Lee & Baldard  
Consulting Engineers Inc.  
12510 Dallas Texas 75248  
214-342-2600 Fax 214-342-2600

2-20-02  
*[Signature]*

JOB NUMBER  
**0012**  
JOB NAME  
ADDISON ATHLETIC CLUB  
EXPANSION & LEISURE POOL

SHEET DESCRIPTION  
TYPICAL  
SECTIONS & DETAILS  
SHEET NUMBER  
**S3.03**



ALTERNATE HIGH RETAINING WALL  
ALTERNATE HIGH RETAINING WALL  
TYPICAL DETAIL  
TYPICAL DETAIL