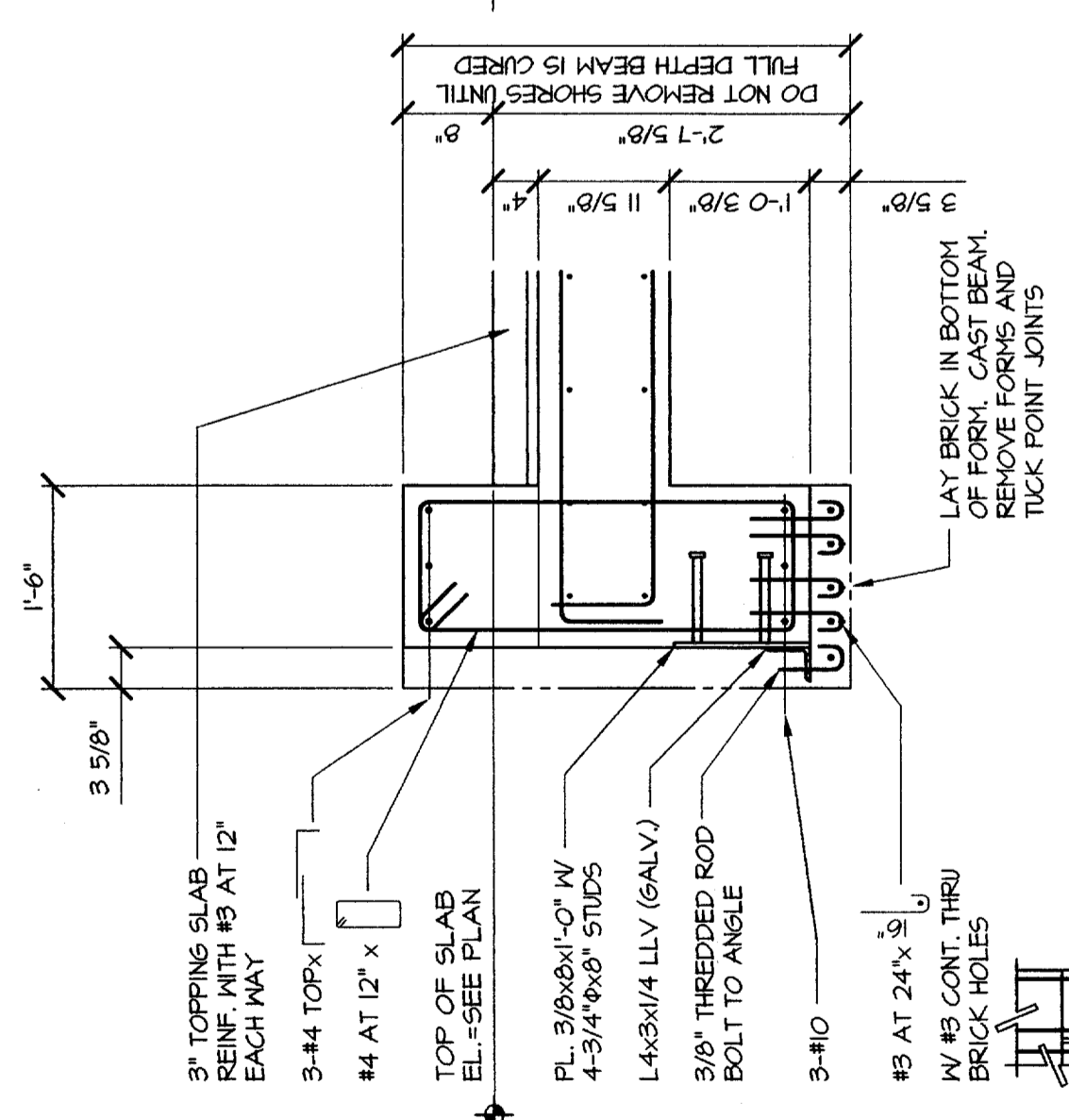
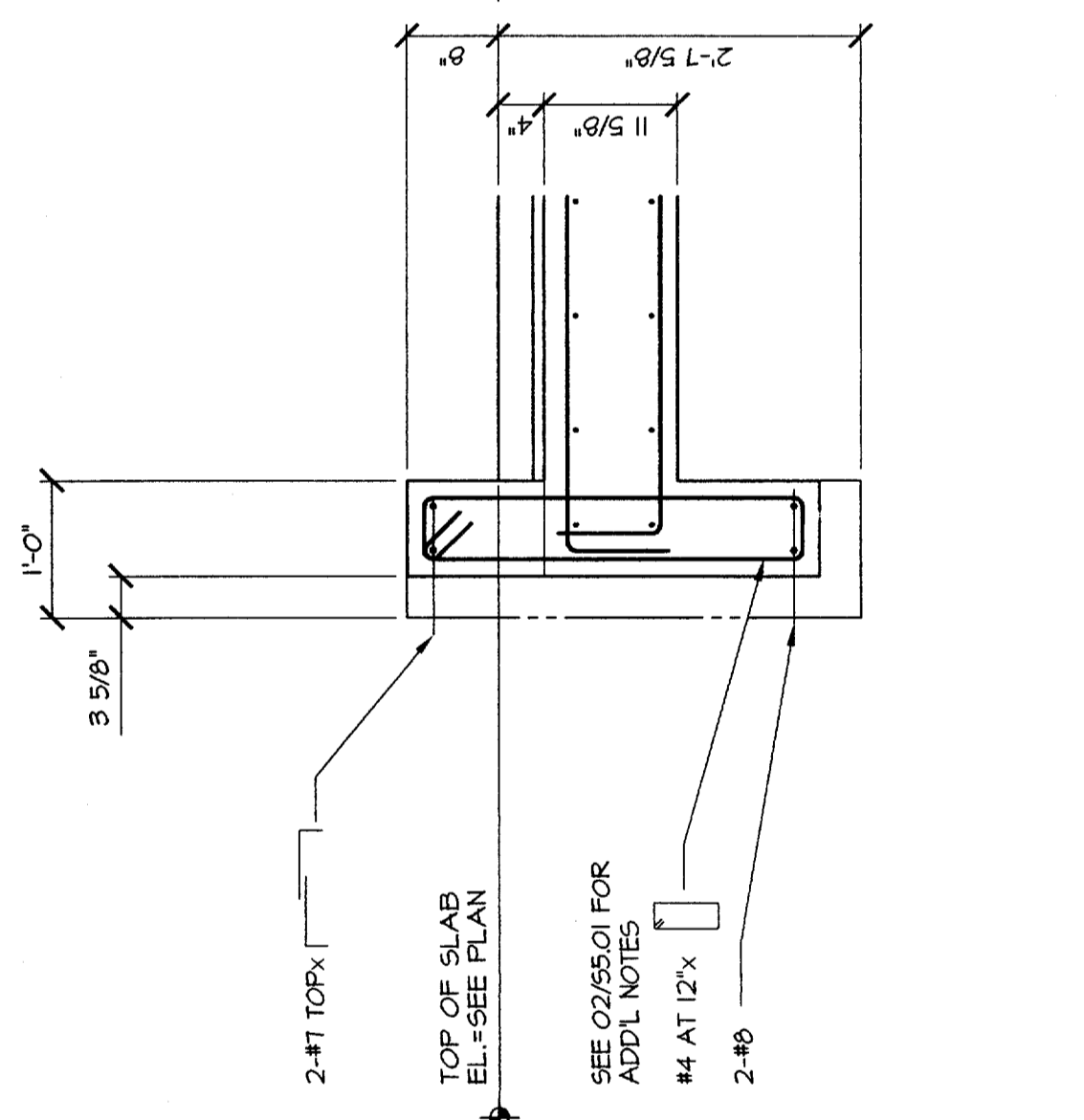


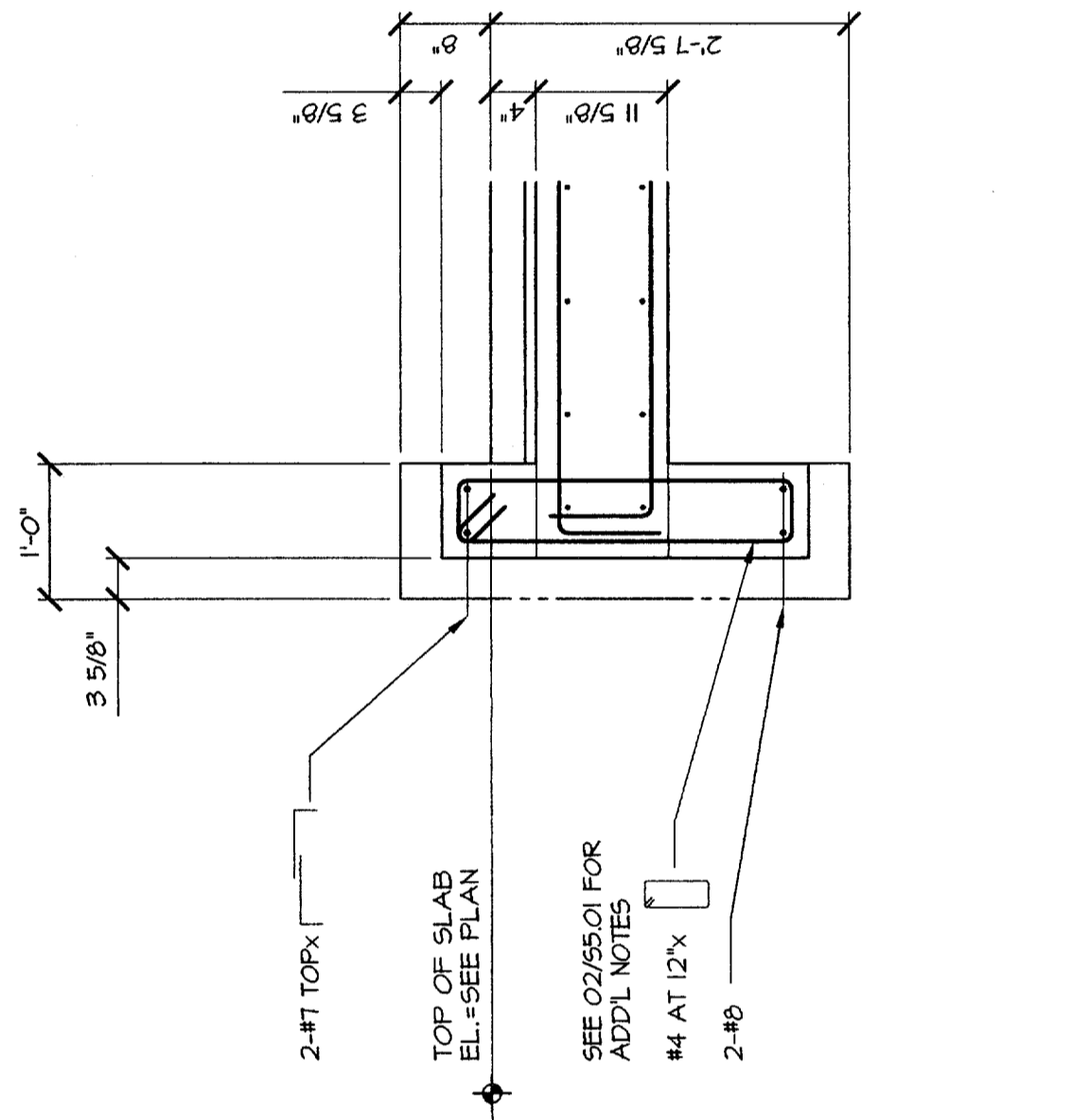
01 SECTION
 \$5.01
 3/4"x1" (REF. UNO2)



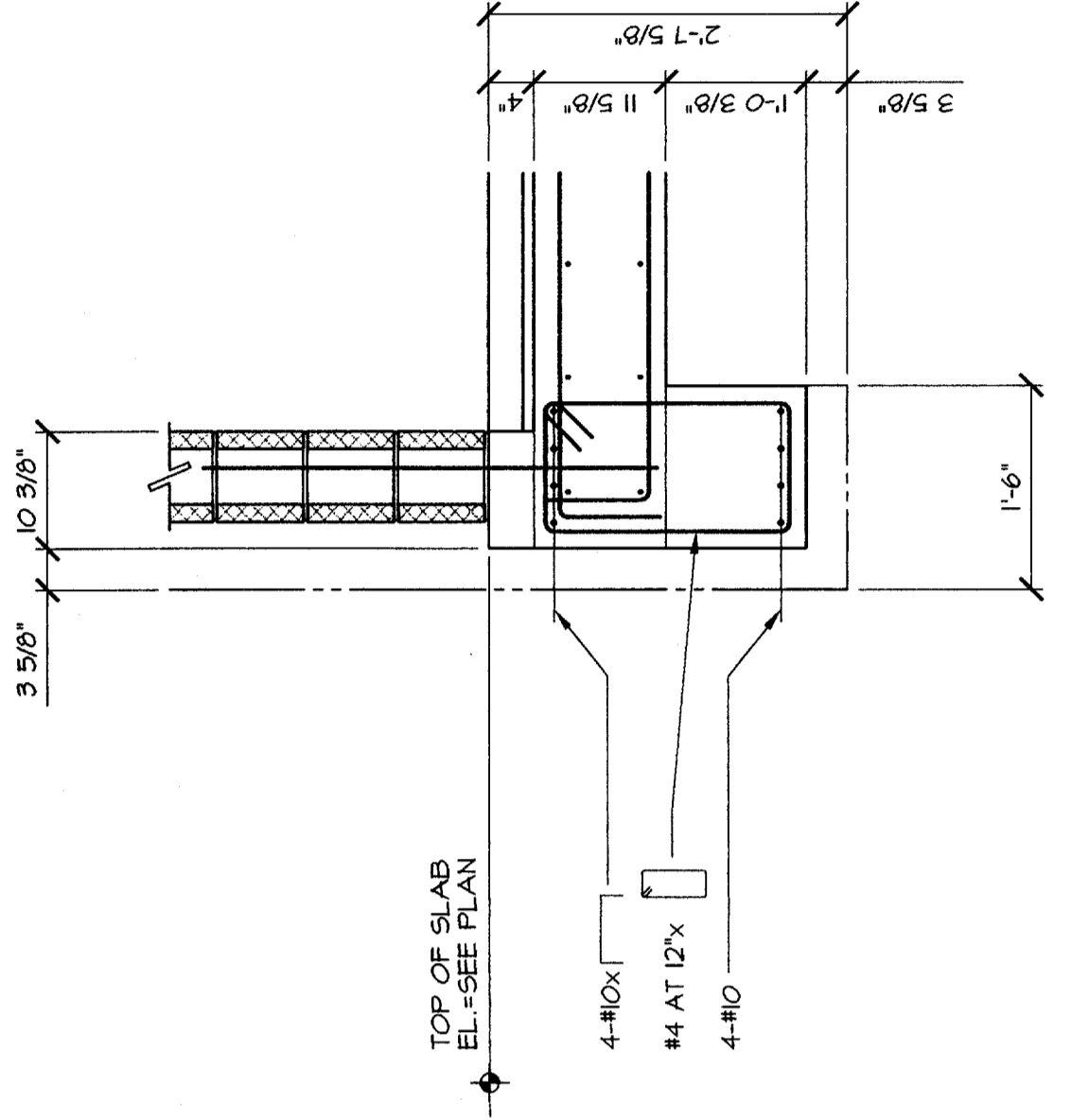
02 SECTION
 \$5.01



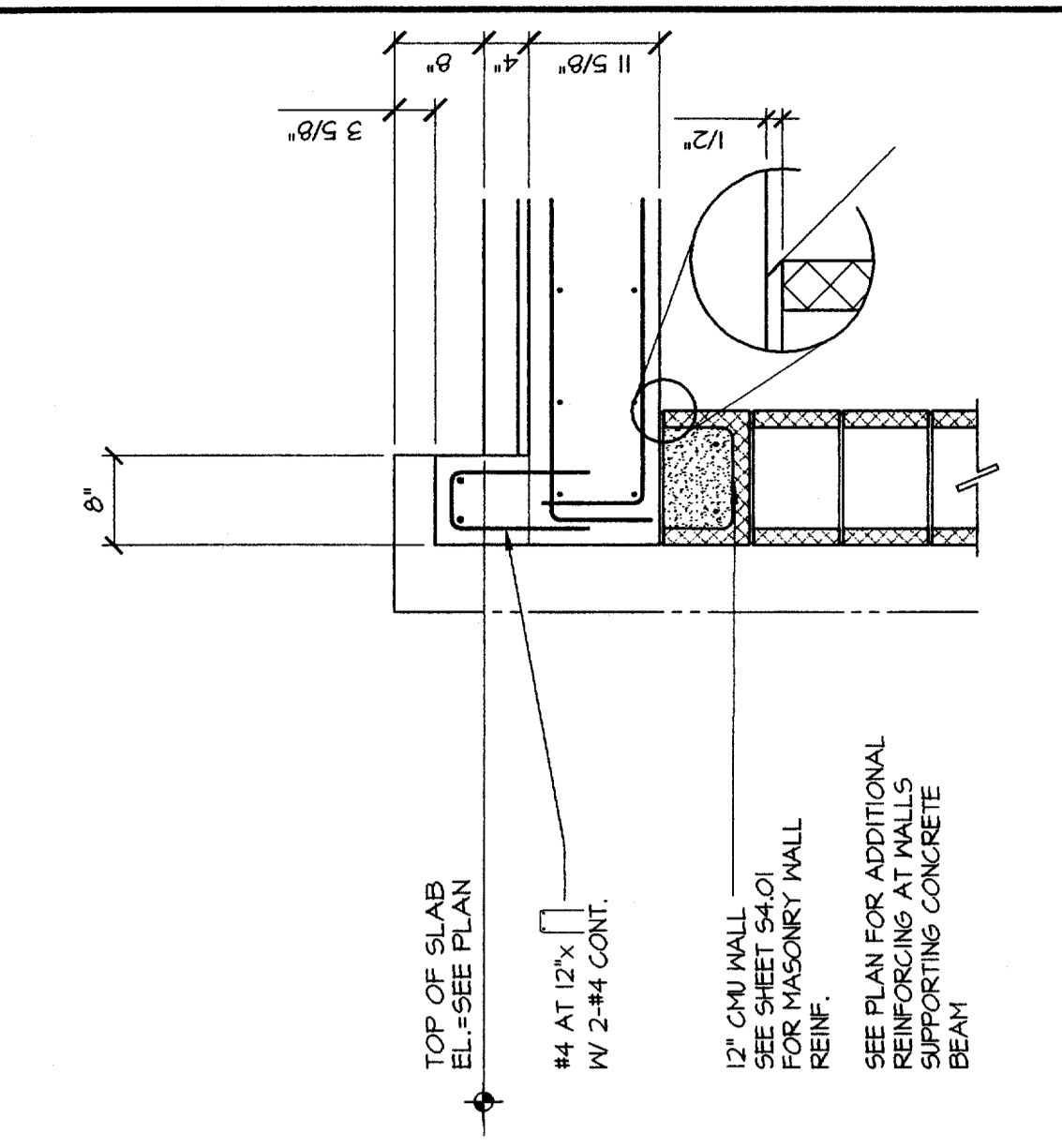
03 SECTION
 \$5.01



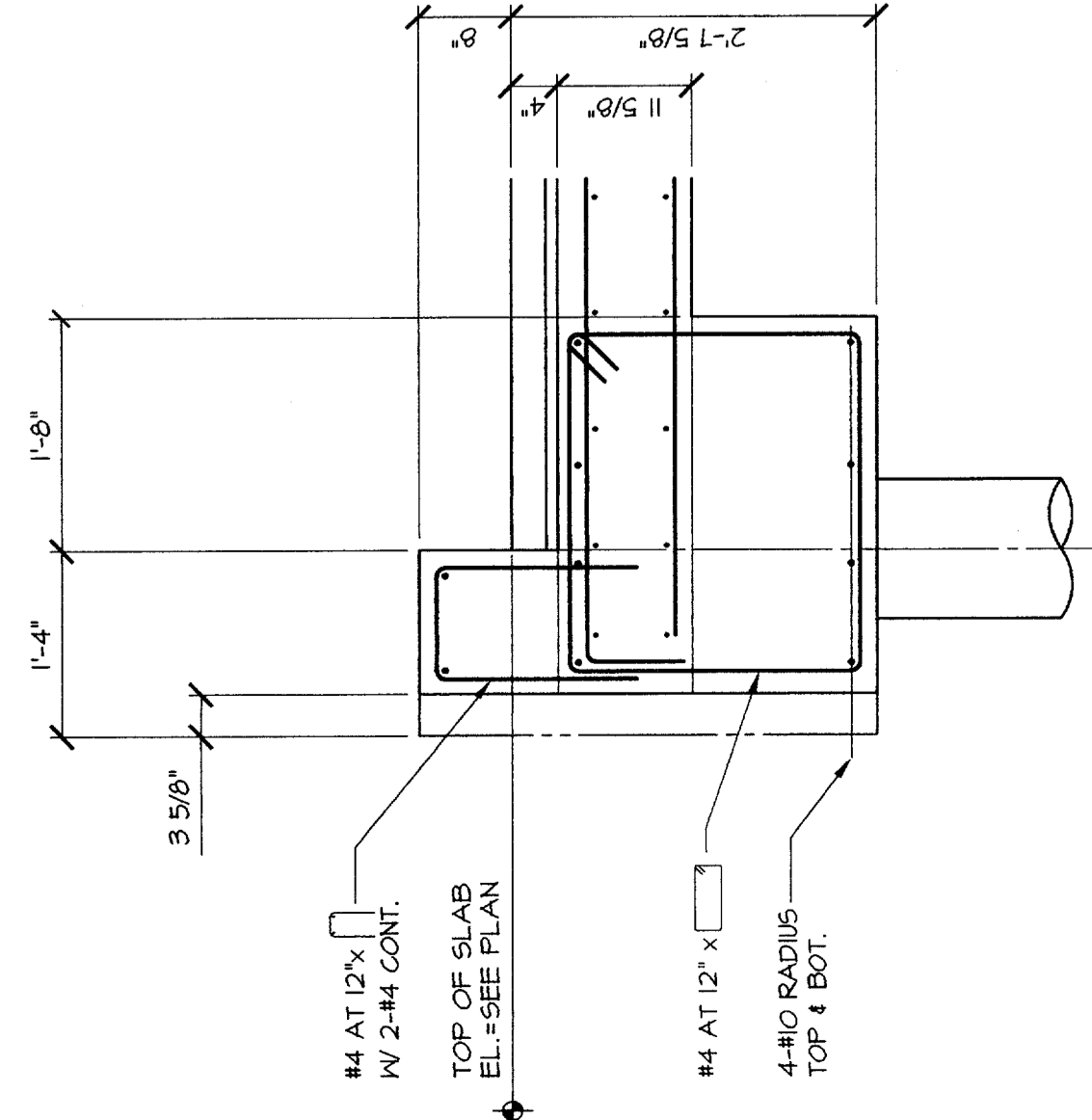
04 SECTION
 \$5.01



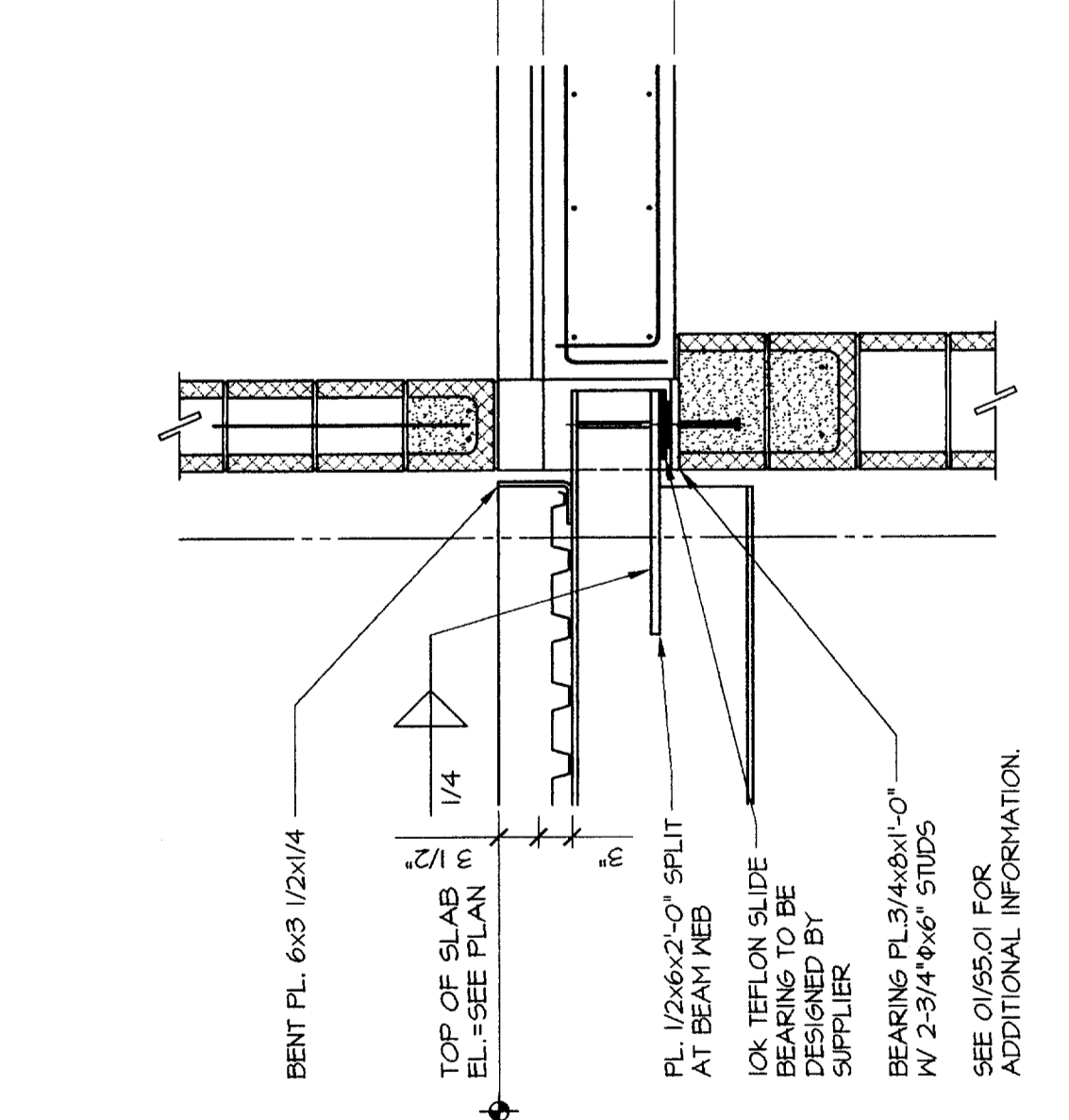
05 SECTION
 \$5.01



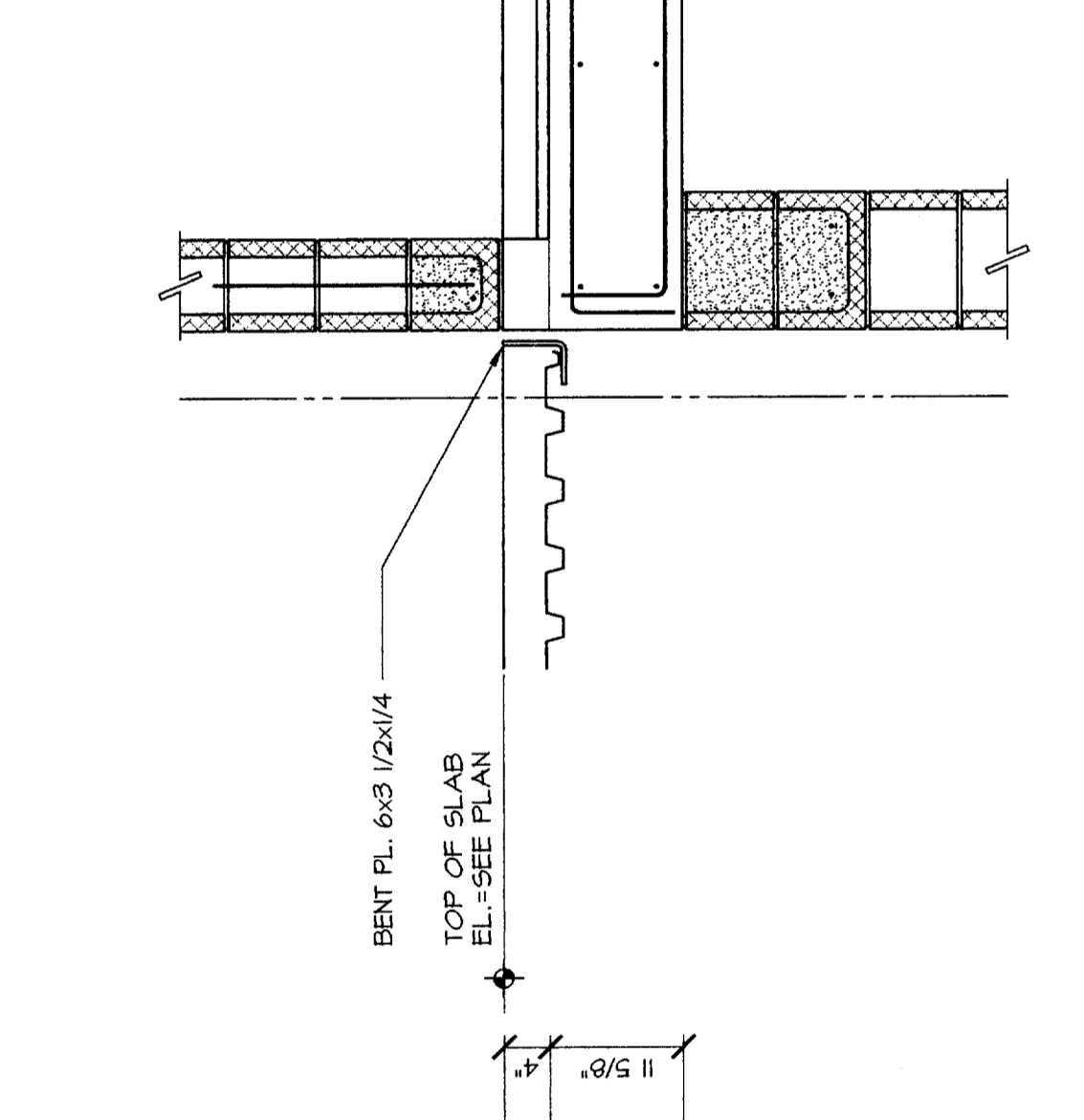
06 SECTION
 \$5.01



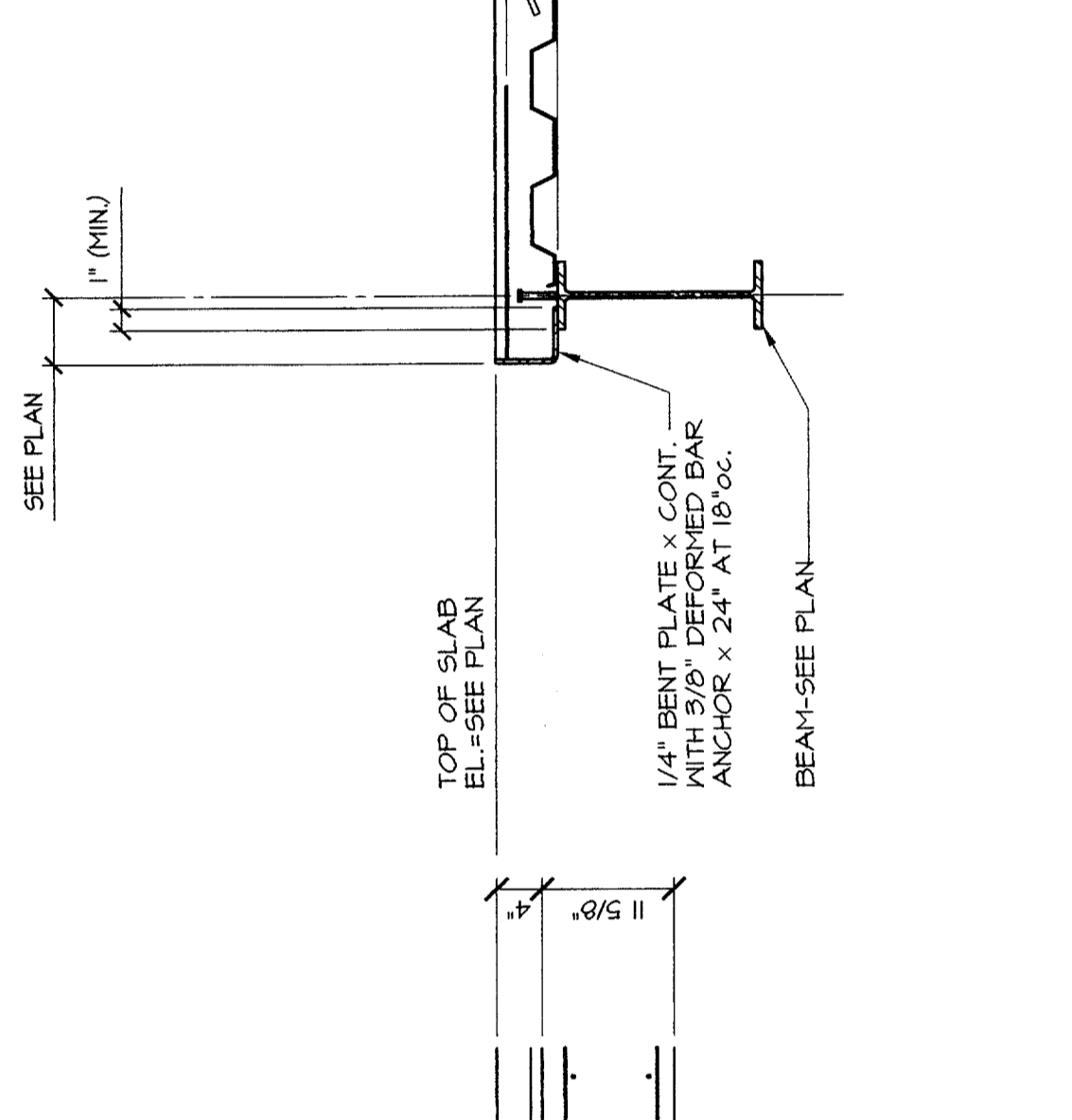
07 SECTION
 \$5.01



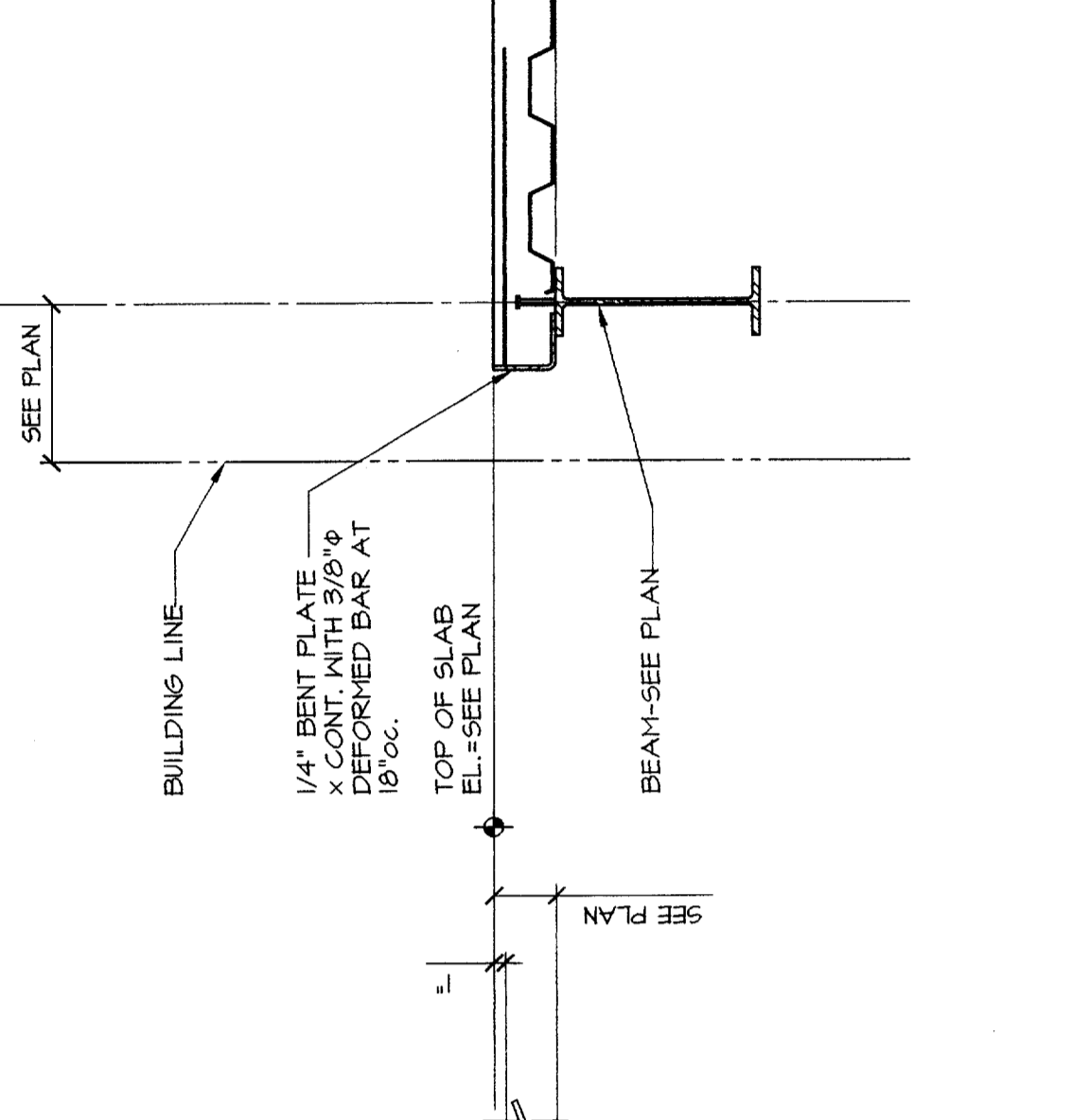
08 SECTION
 \$5.01



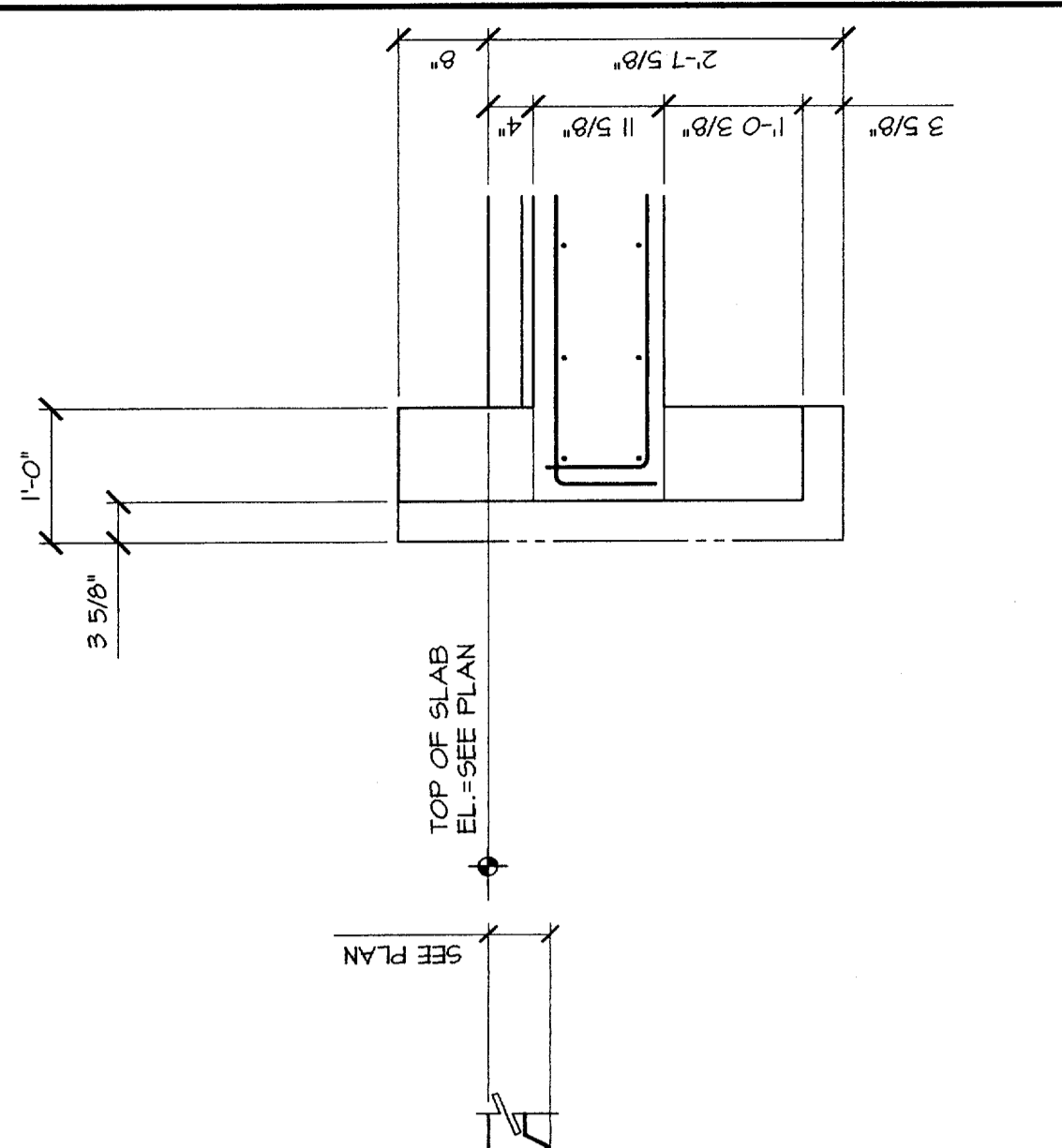
09 SECTION
 \$5.01



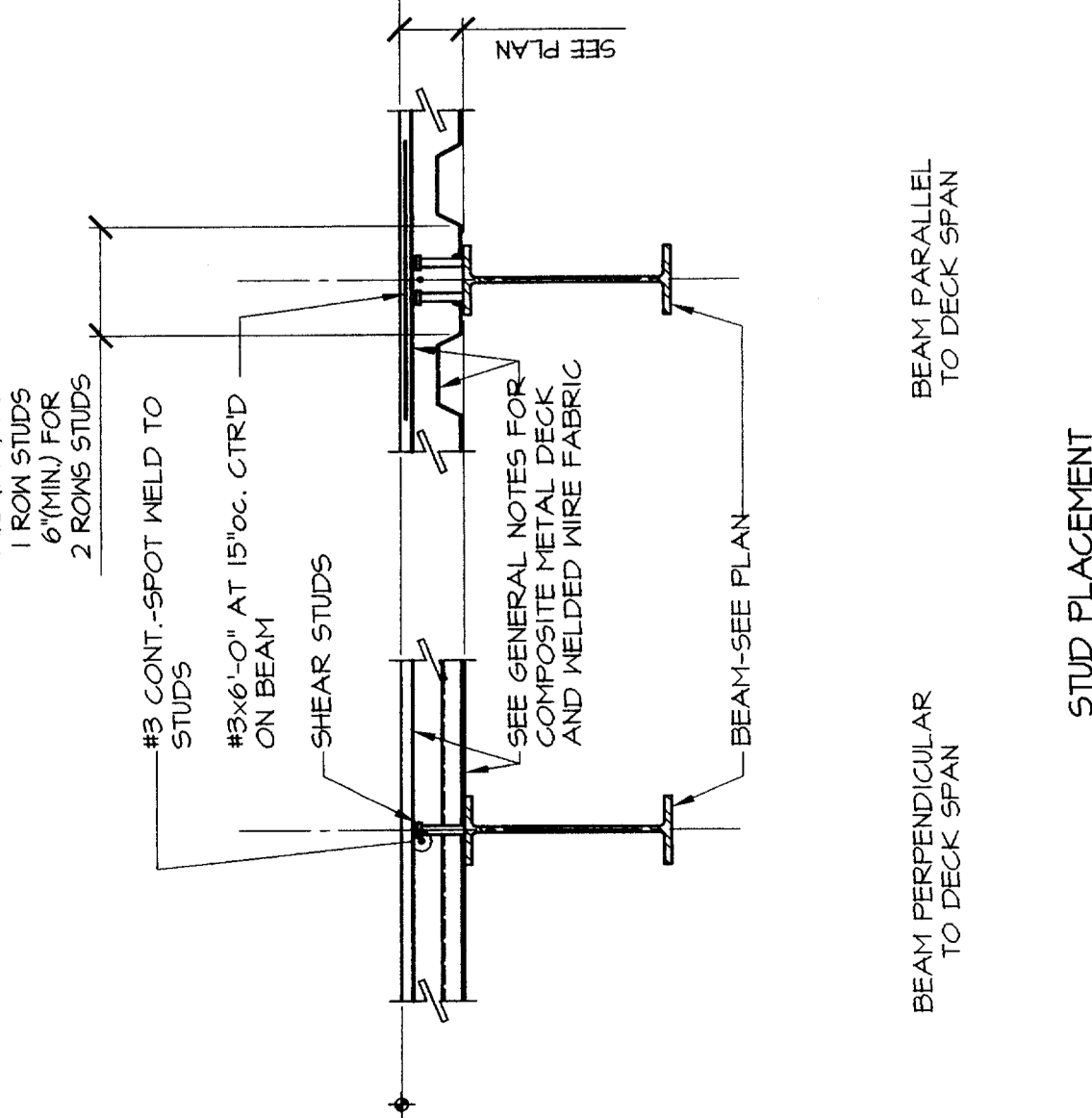
10 TYPICAL DETAIL
 \$5.01
 CLOSE ANGLE



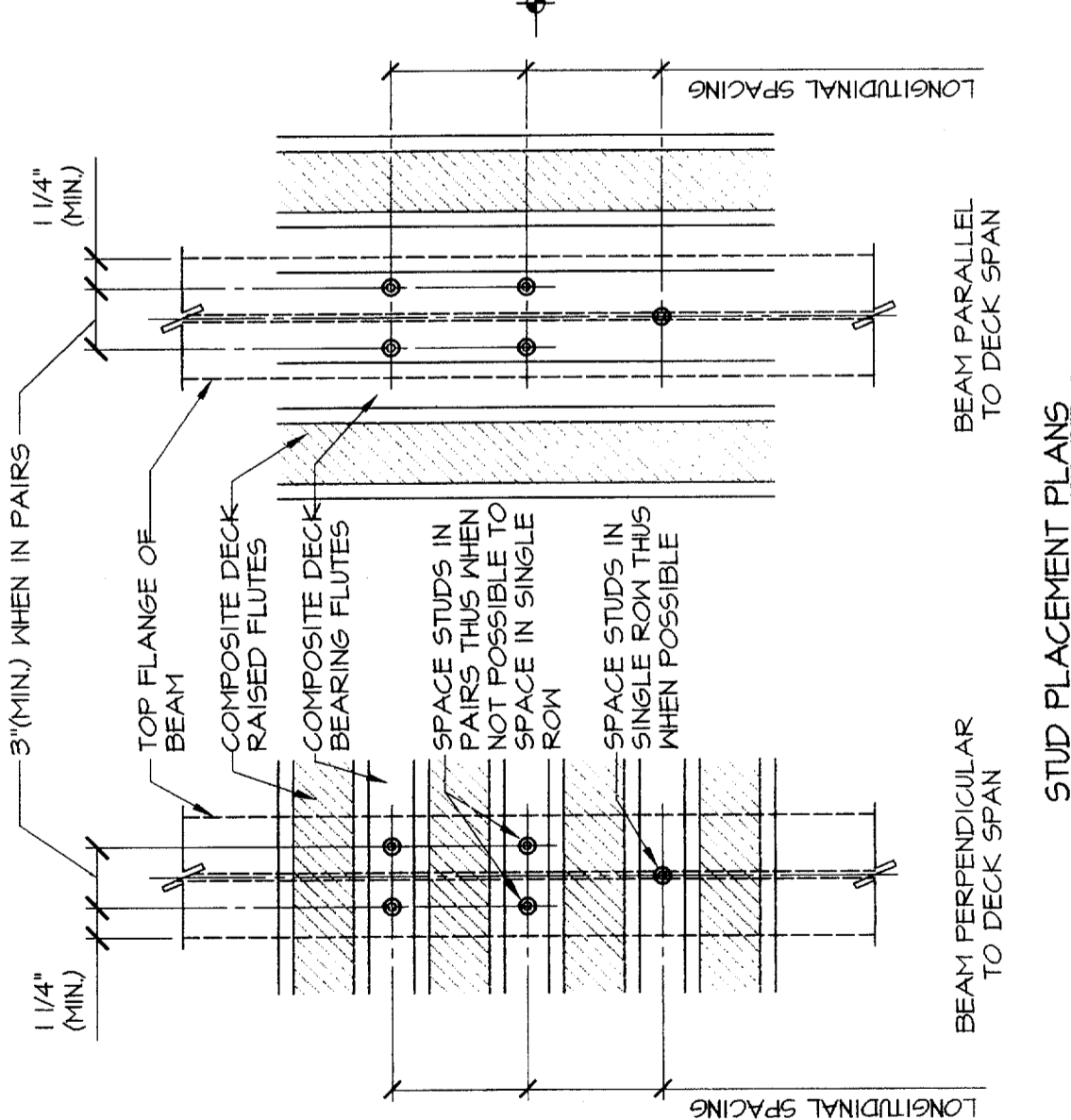
11 SECTION
 \$5.01



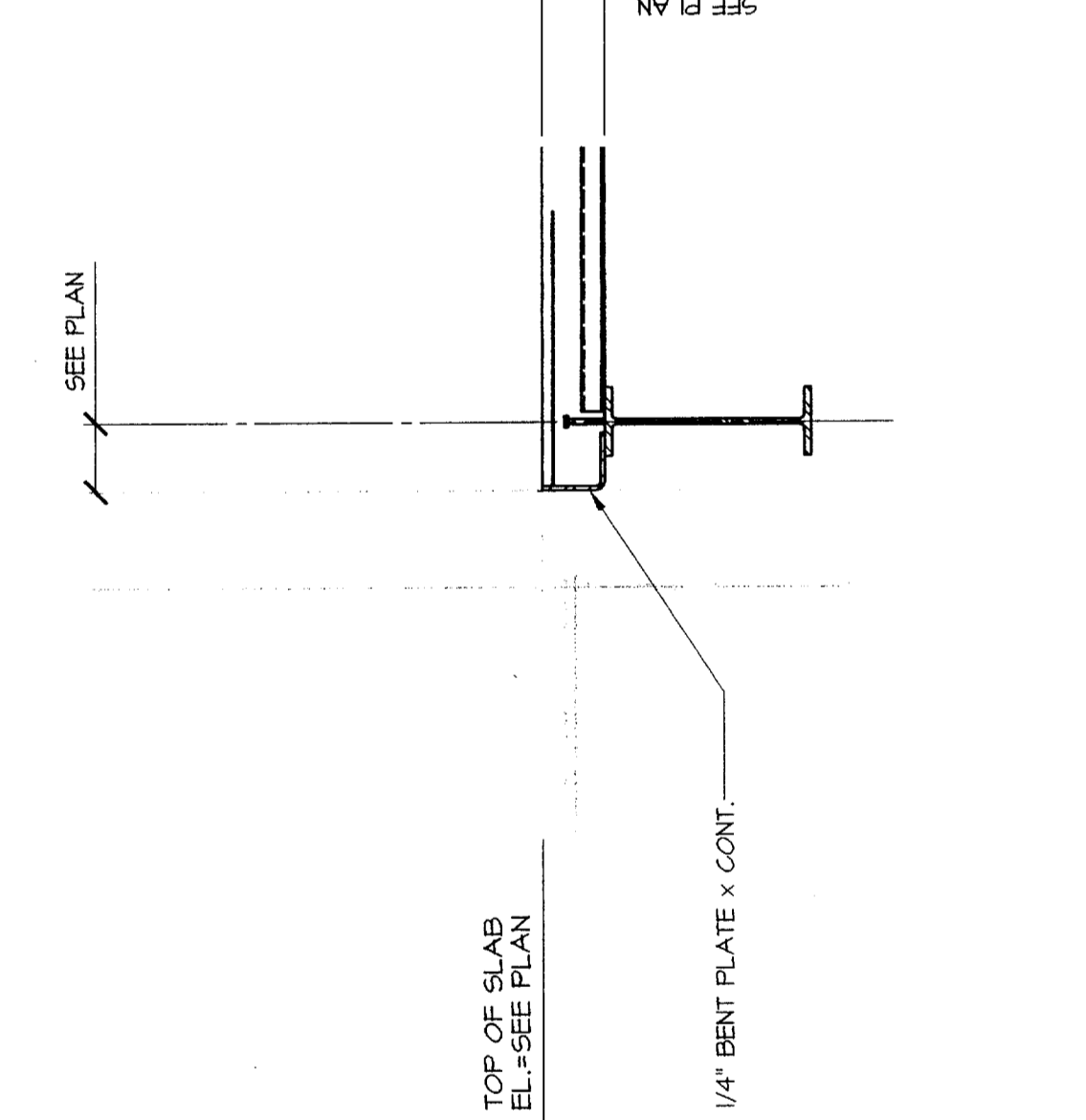
12 SECTION
 \$5.01



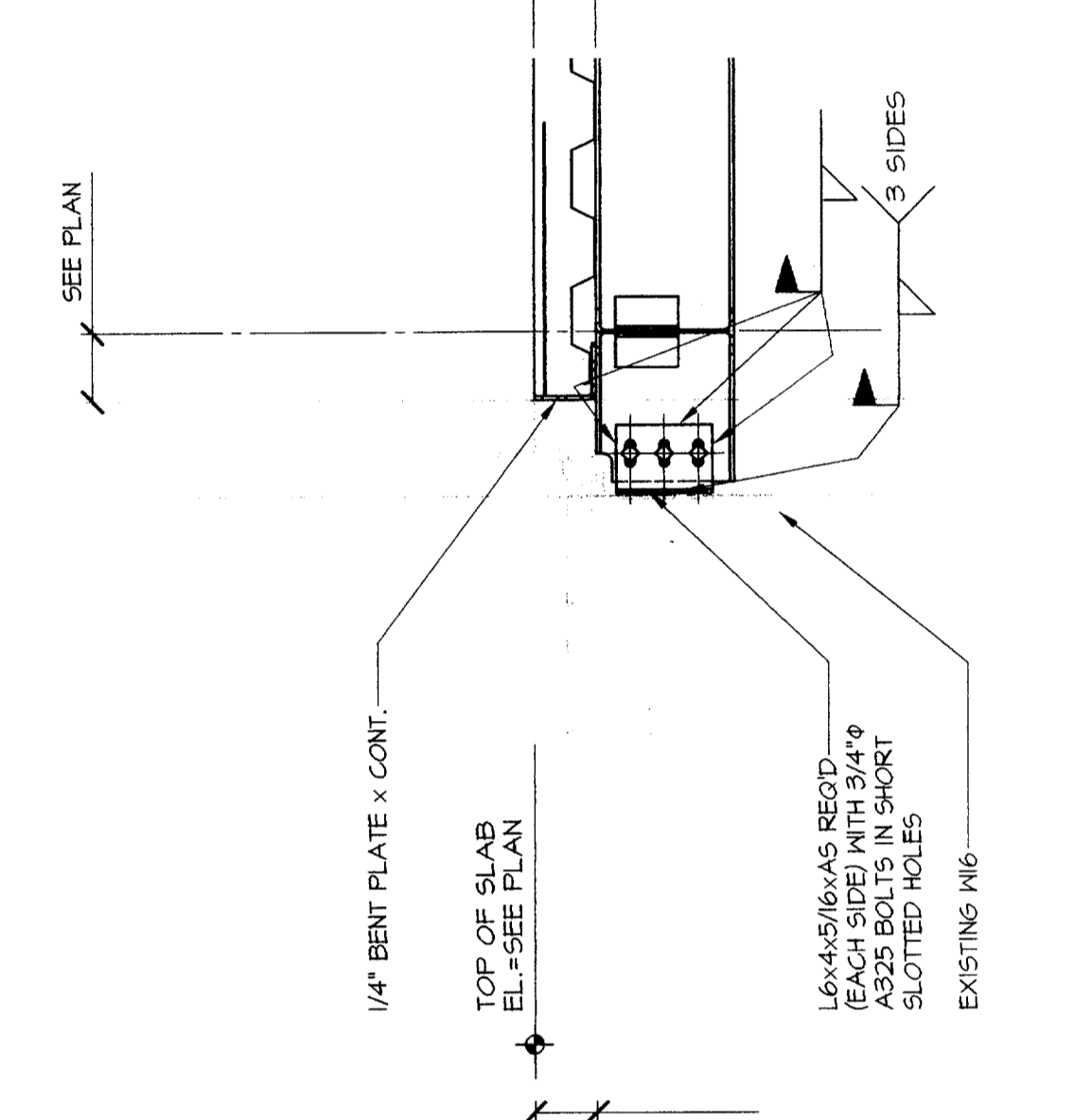
13 TYPICAL DETAIL
 \$5.01



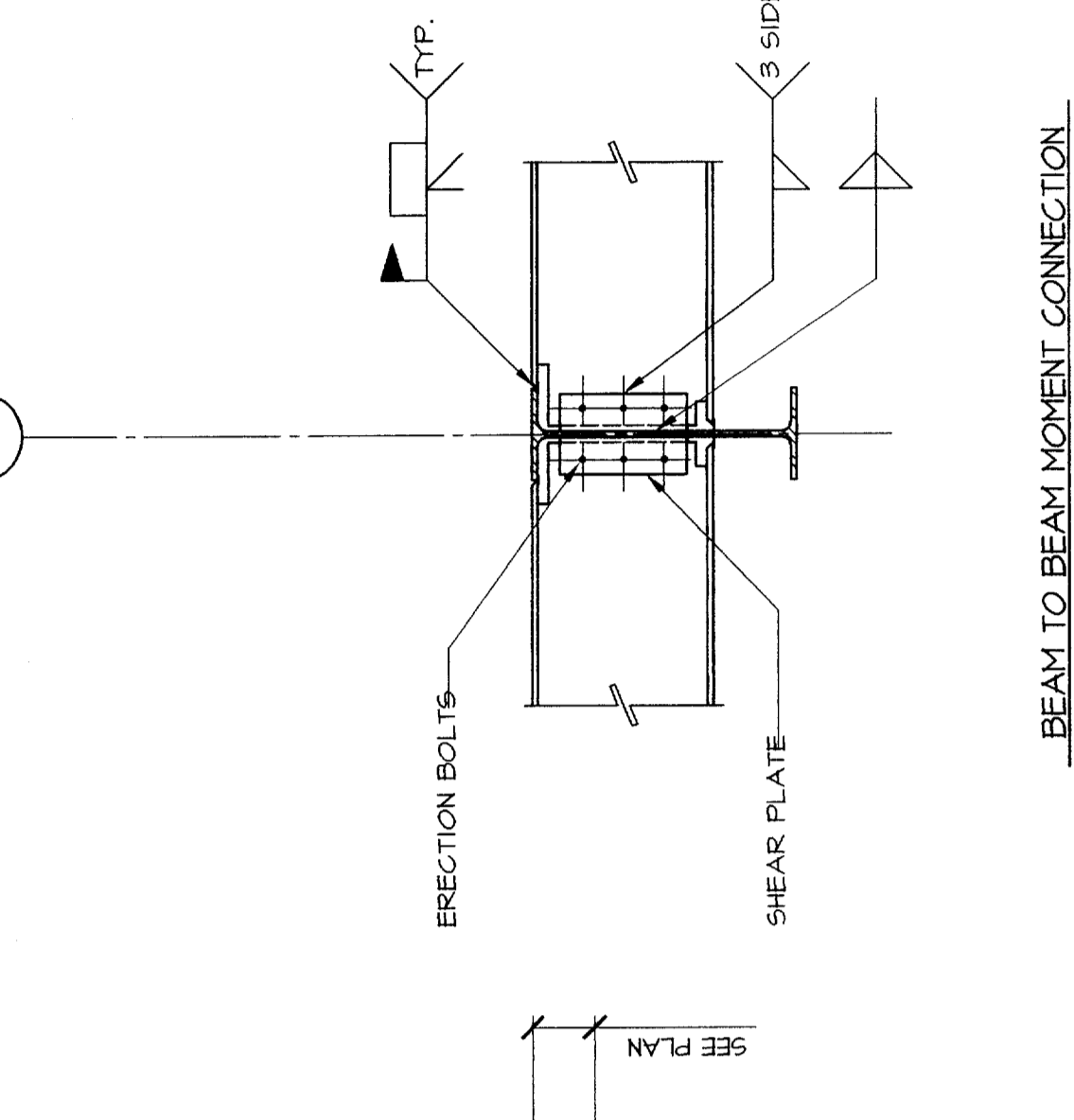
14 TYPICAL DETAIL
 \$5.01



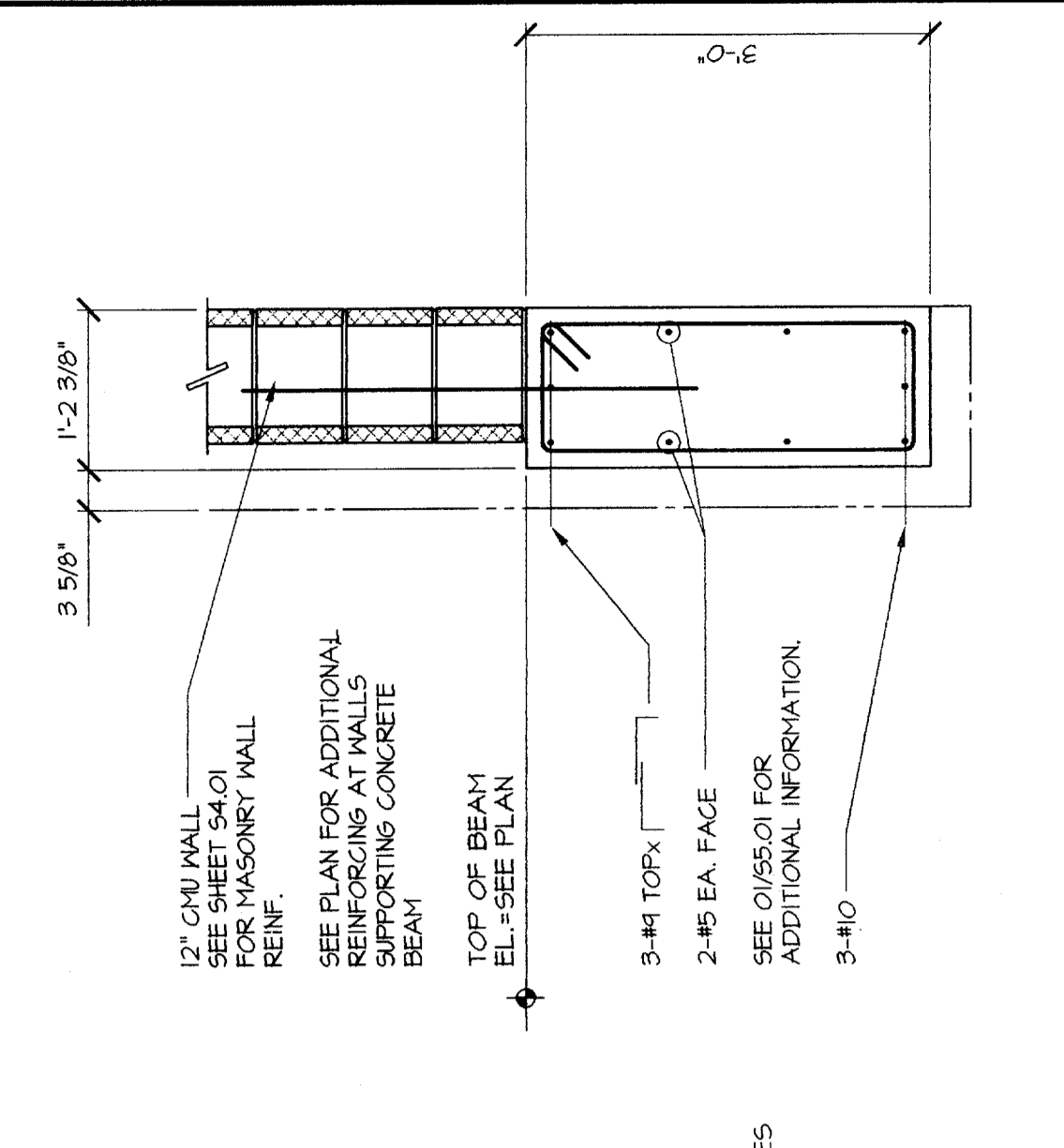
15 SECTION
 \$5.01



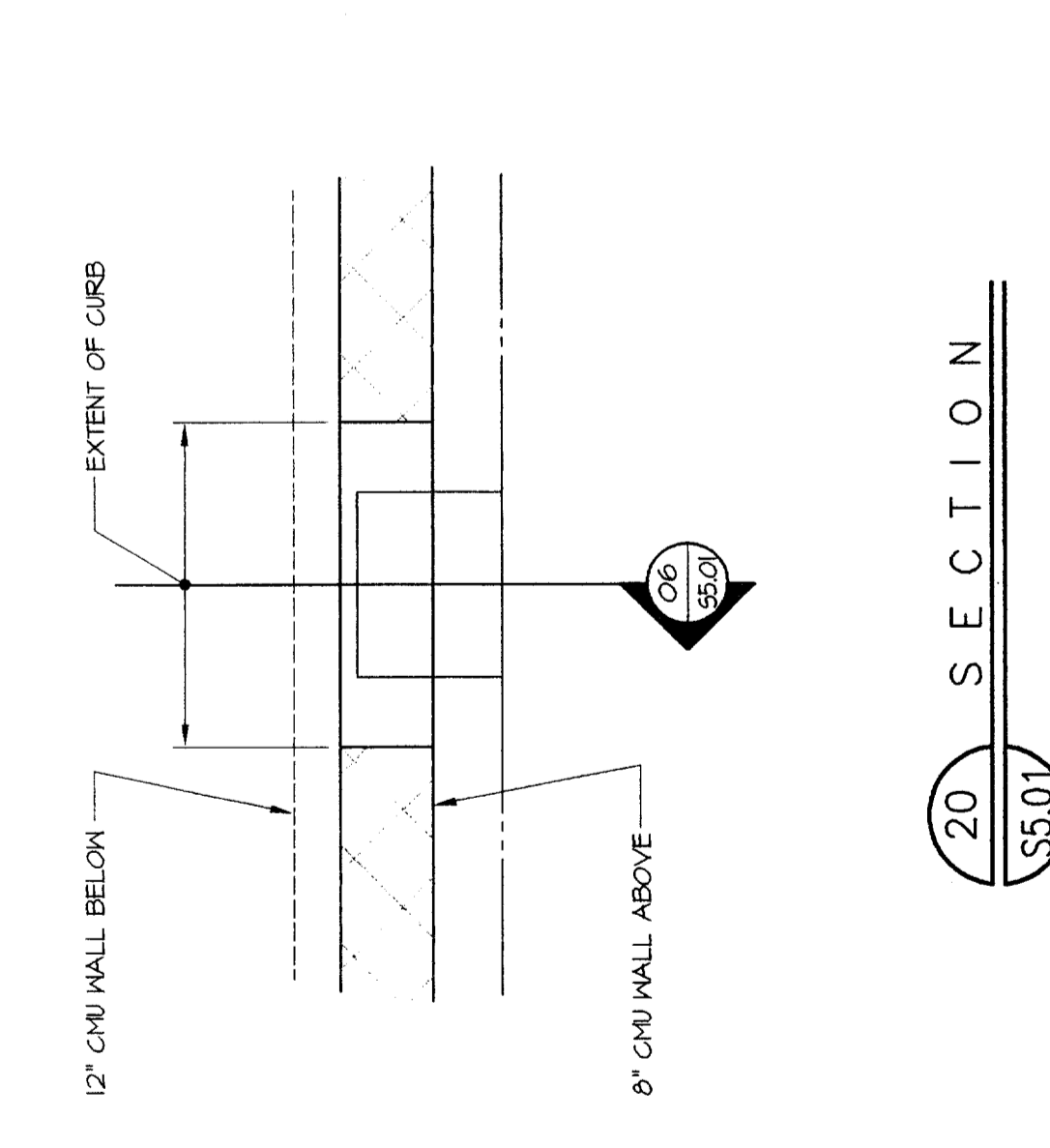
16 SECTION
 \$5.01



17 TYPICAL DETAIL
 \$5.01



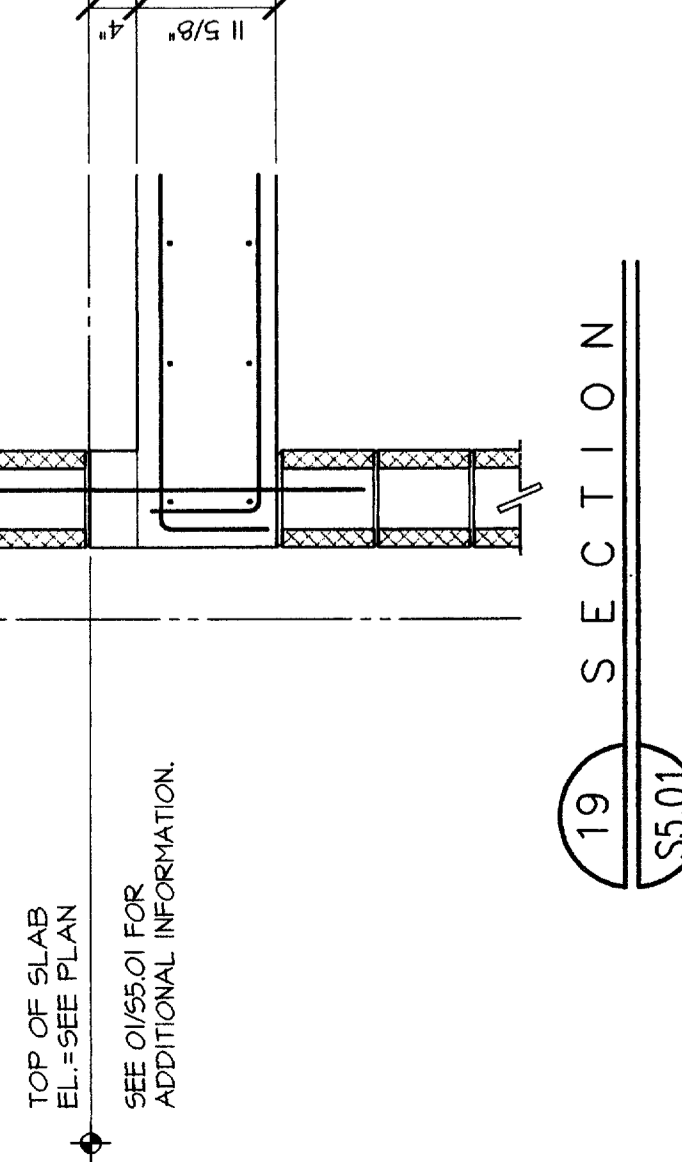
18 SECTION
 \$5.01



19 SECTION
 \$5.01



20 SECTION
 \$5.01



21 SECTION
 \$5.01