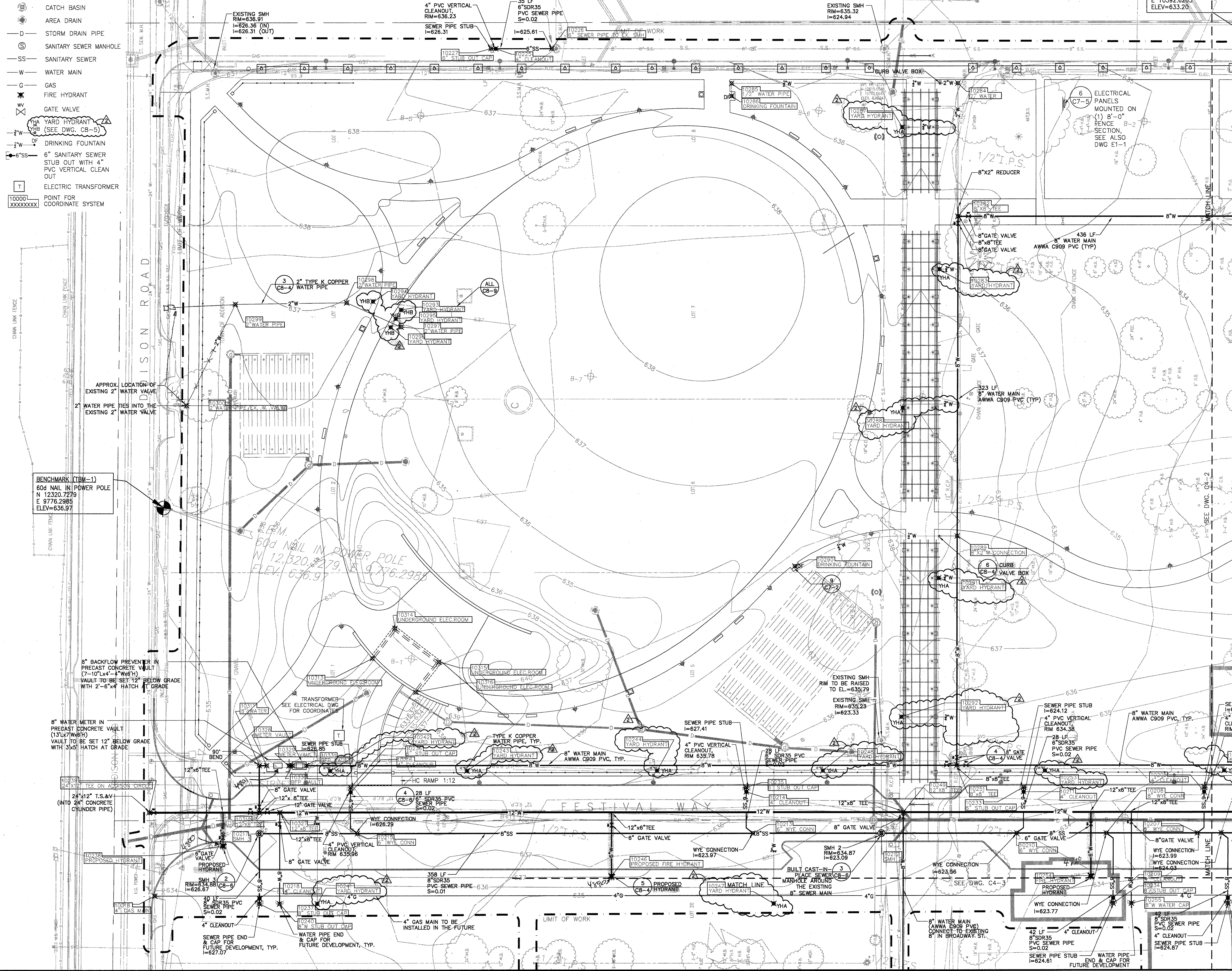


**LEGEND**

- ⊙ STORM DRAIN MANHOLE
- ⊕ CATCH BASIN
- ⊙ AREA DRAIN
- D- STORM DRAIN PIPE
- ⊙ SANITARY SEWER MANHOLE
- SS- SANITARY SEWER
- W- WATER MAIN
- C- GAS
- ⊙ FIRE HYDRANT
- ⊙ GATE VALVE
- ⊙ YARD HYDRANT (SEE DWG. CB-5)
- ⊙ DRINKING FOUNTAIN
- ⊙ 6" SANITARY SEWER STUB OUT WITH 4" PVC VERTICAL CLEAN OUT
- ⊙ ELECTRIC TRANSFORMER
- 10000 POINT FOR COORDINATE SYSTEM

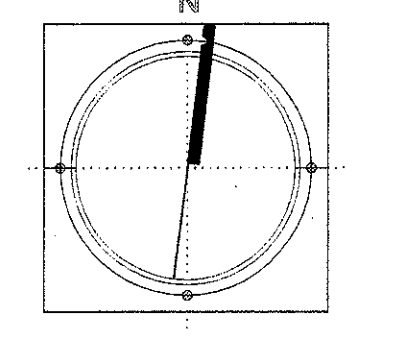
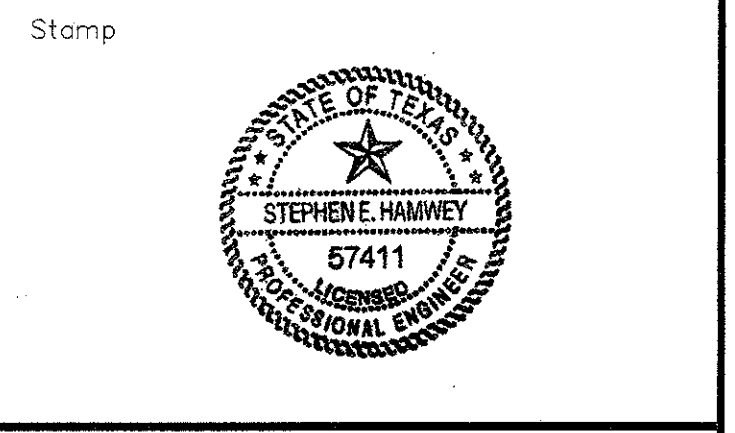
**ADDISON CIRCLE DRIVE**

BENCHMARK (TBM-2)  
 "X" MARKED IN CONC CURB  
 N 12655.2926  
 E 10392.6203  
 ELEV=633.20



⚠ BULLETIN #1	12-30-02
ISSUED FOR CONSTRUCTION	11-26-02
ADDENDUM #2	10-21-02
ISSUED FOR CONSTRUCTION	09-30-02
No. Description	Date

**DWG ISSUE & REVISION HISTORY**



Project Title:  
**ADDISON ARTS & EVENTS DISTRICT**  
 ADDISON, TEXAS

Drawing Title:  
**UTILITIES PLAN**

Project No. 14516.00 Scale: 1"=20'-0"  
 Drawn By: SM  
 Checked By: TC  
 Approved By: SEH  
 Date: September 30, 2002

Drawing No. **C4-1**