

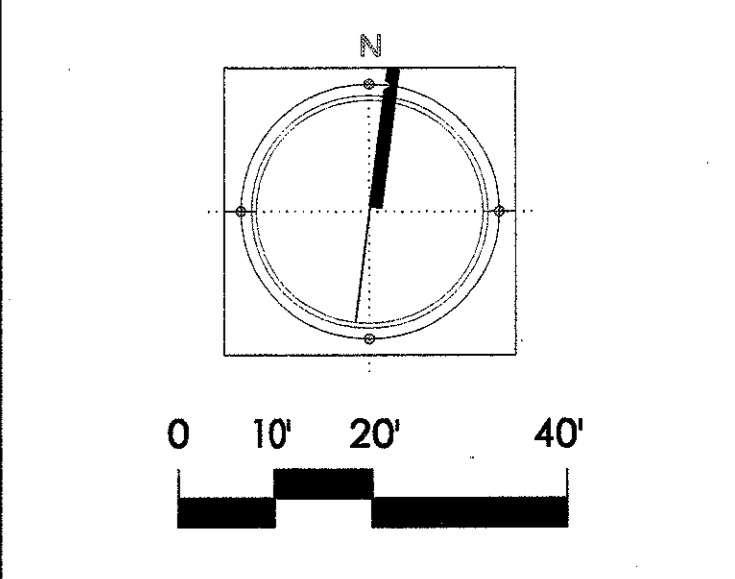
LEGEND

- STORM DRAIN MANHOLE
- CATCH BASIN
- AREA DRAIN
- STORM DRAIN PIPE
- SANITARY SEWER MANHOLE
- SANITARY SEWER
- WATER MAIN
- GAS
- FIRE HYDRANT
- GATE VALVE
- YARD HYDRANT (SEE DWG. C8-5)
- DRINKING FOUNTAIN
- 6" SANITARY SEWER STUB OUT WITH 4" PVC VERTICAL CLEAN OUT
- ELECTRIC TRANSFORMER
- POINT FOR COORDINATE SYSTEM

	BULLETIN #1	12-30-02
	ISSUED FOR CONSTRUCTION	11-26-02
	ADDENDUM #2	10-21-02
	ISSUED FOR CONSTRUCTION	09-30-02
No.	Description	Date

DWG ISSUE & REVISION HISTORY

Stamp



Project Title:
ADDISON ARTS & EVENTS DISTRICT
 ADDISON, TEXAS

Drawing Title:
UTILITIES PLAN

Project No. 14516.00 Scale: 1"=20'-0"
 Drawn By: SM
 Checked By: TC
 Approved By: SEH
 Date: September 30, 2002

Drawing No. **C4-3**