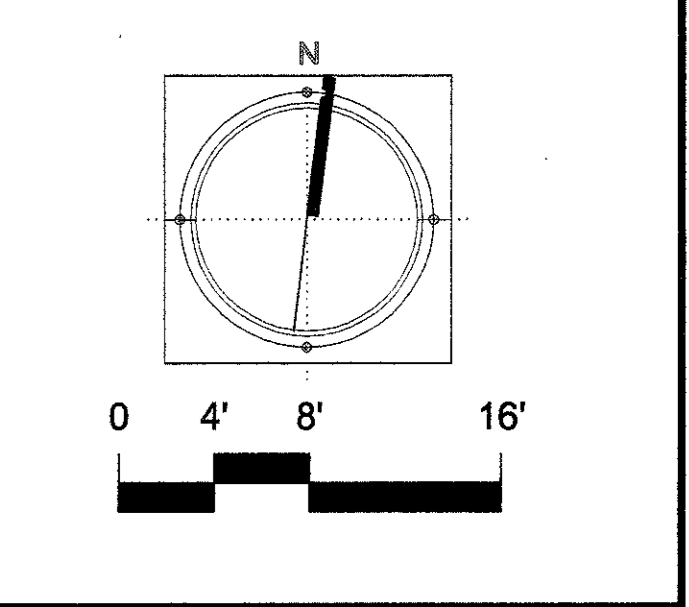
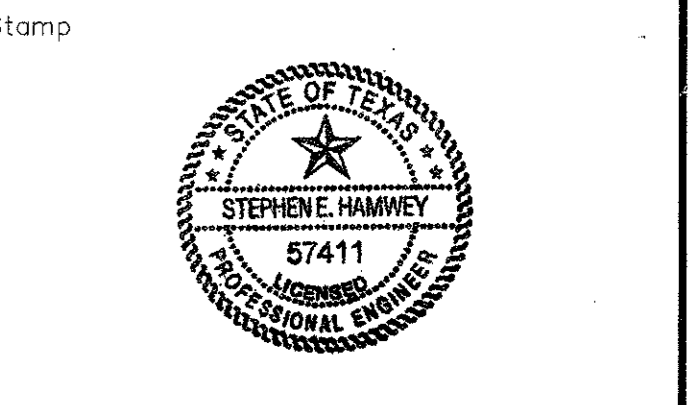


▲	BULLETIN #5	04-22-03
▲	BULLETIN #4	04-14-03
▲	BULLETIN #2	03-10-03
▲	BULLETIN #1	12-30-02
▲	ISSUED FOR CONSTRUCTION	11-28-02
▲	ADDENDUM #2	10-21-02
▲	ISSUED FOR CONSTRUCTION	09-30-02
No.	Description	Date



Project Title:
ADDISON ARTS & EVENTS DISTRICT
 ADDISON, TEXAS

Drawing Title:
MATERIALS PLAN DETAIL

Project No. 14516.00 Scale: 1/8"=1'-0"
 Drawn By: CB
 Checked By: DC
 Approved By: SEH
 Date: September 30, 2002

Drawing No. **C5-1**