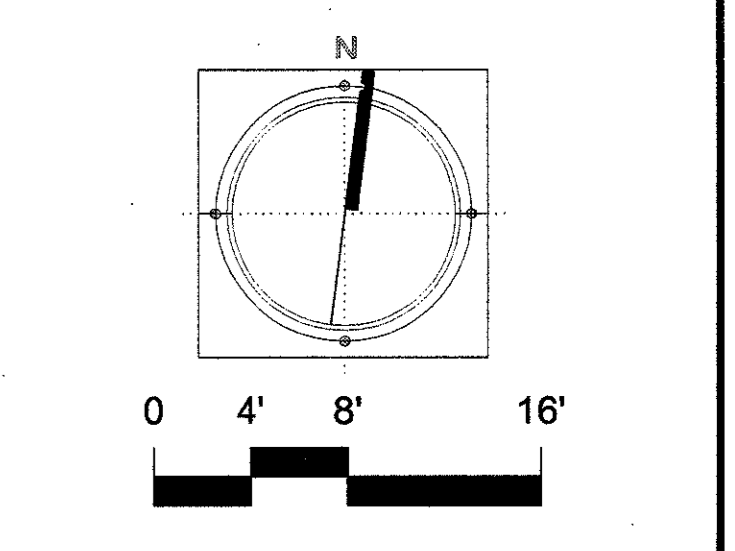
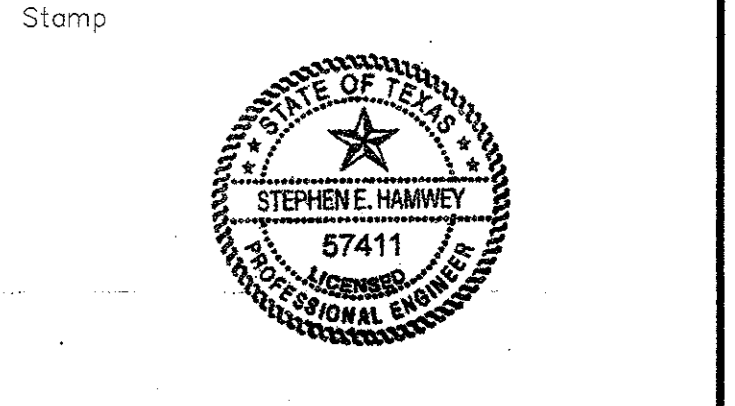


BULLETIN #	12-30-02
ISSUED FOR CONSTRUCTION	11-26-02
ISSUED FOR CONSTRUCTION	09-30-02
No. Description	Date
DWG ISSUE & REVISION HISTORY	



Project Title:  
**ADDISON ARTS & EVENTS DISTRICT**  
 ADDISON, TEXAS

Drawing Title:  
**PAVING AND LAYOUT PLAN DETAIL**

Project No. 14516.00 Scale: 1/8"=1'-0"  
 Drawn By: CB  
 Checked By: DC  
 Approved By: SEH  
 Date: September 30, 2002

Drawing No. **C5-3**