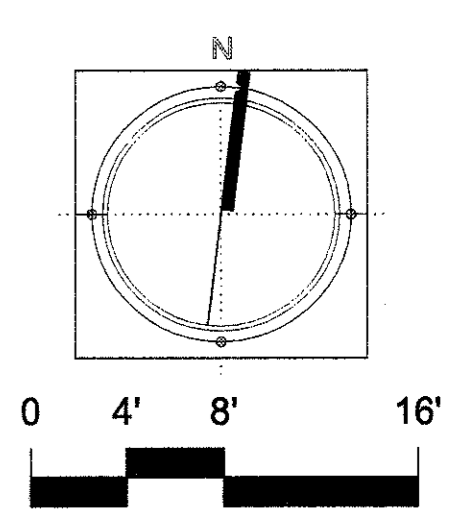
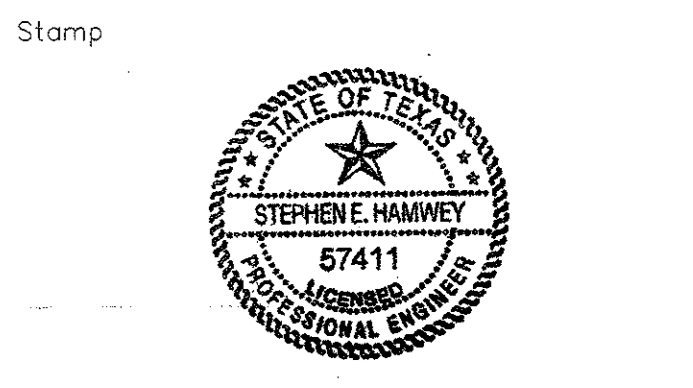


SASAKI

Interdisciplinary Design
 64 Pleasant Street, Watertown, Massachusetts 02472 USA
 F 617 926 3300 F 617 924 2748 W www.sasaki.com

▲ BULLETIN #1	12-30-02
▲ ISSUED FOR CONSTRUCTION	11-26-02
▲ ADDENDUM #2	10-21-02
▲ ISSUED FOR CONSTRUCTION	09-30-02
No. Description	Date

DWG ISSUE & REVISION HISTORY



Project Title:
ADDISON ARTS & EVENTS DISTRICT
 ADDISON, TEXAS

Drawing Title:
PAVING AND LAYOUT PLAN DETAIL

Project No. 14516.00 Scale: 1/8"=1'-0"
 Drawn By: CB
 Checked By: DC
 Approved By: SEH
 Date: September 30, 2002

Drawing No. **C5-4**