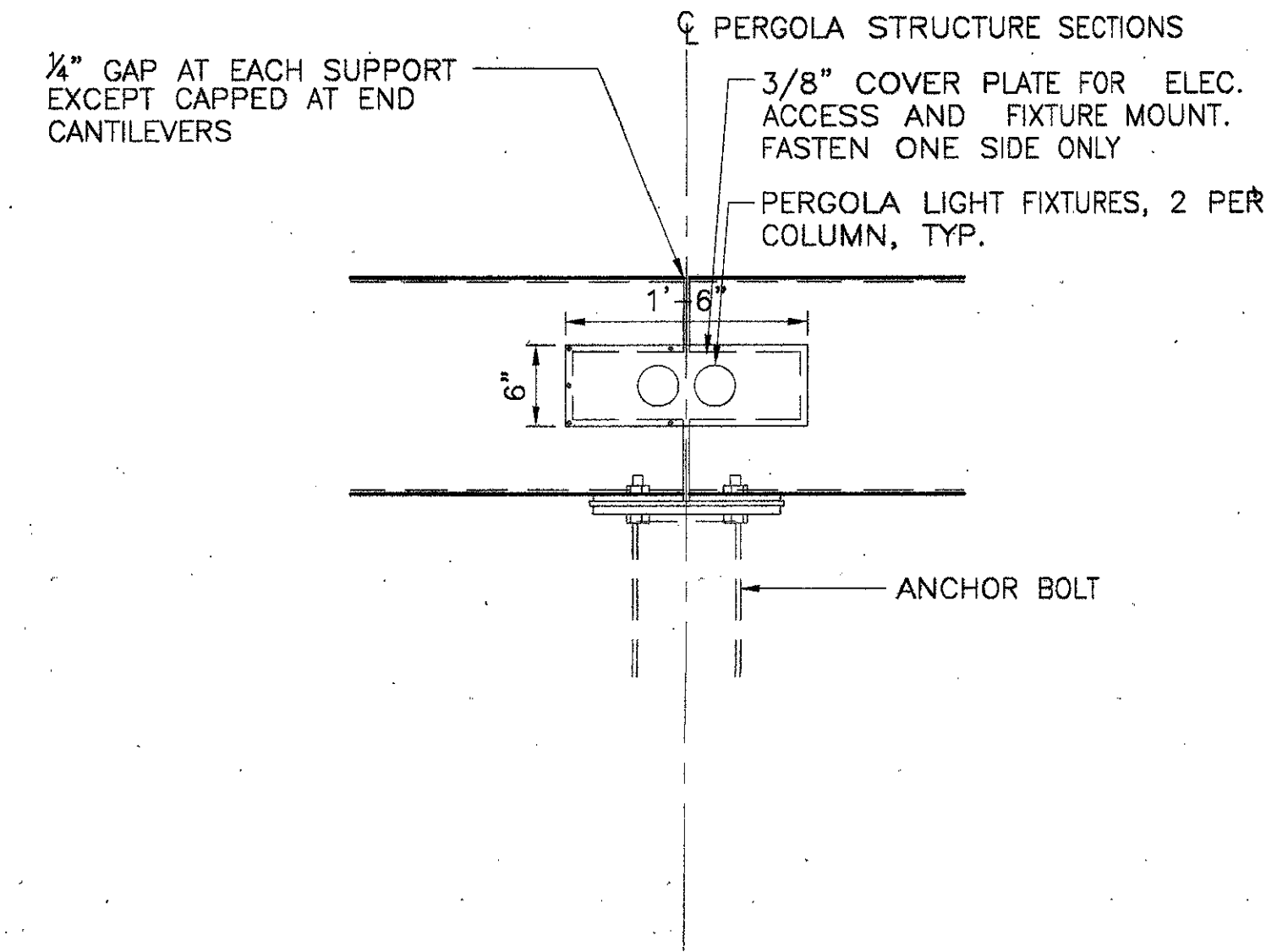
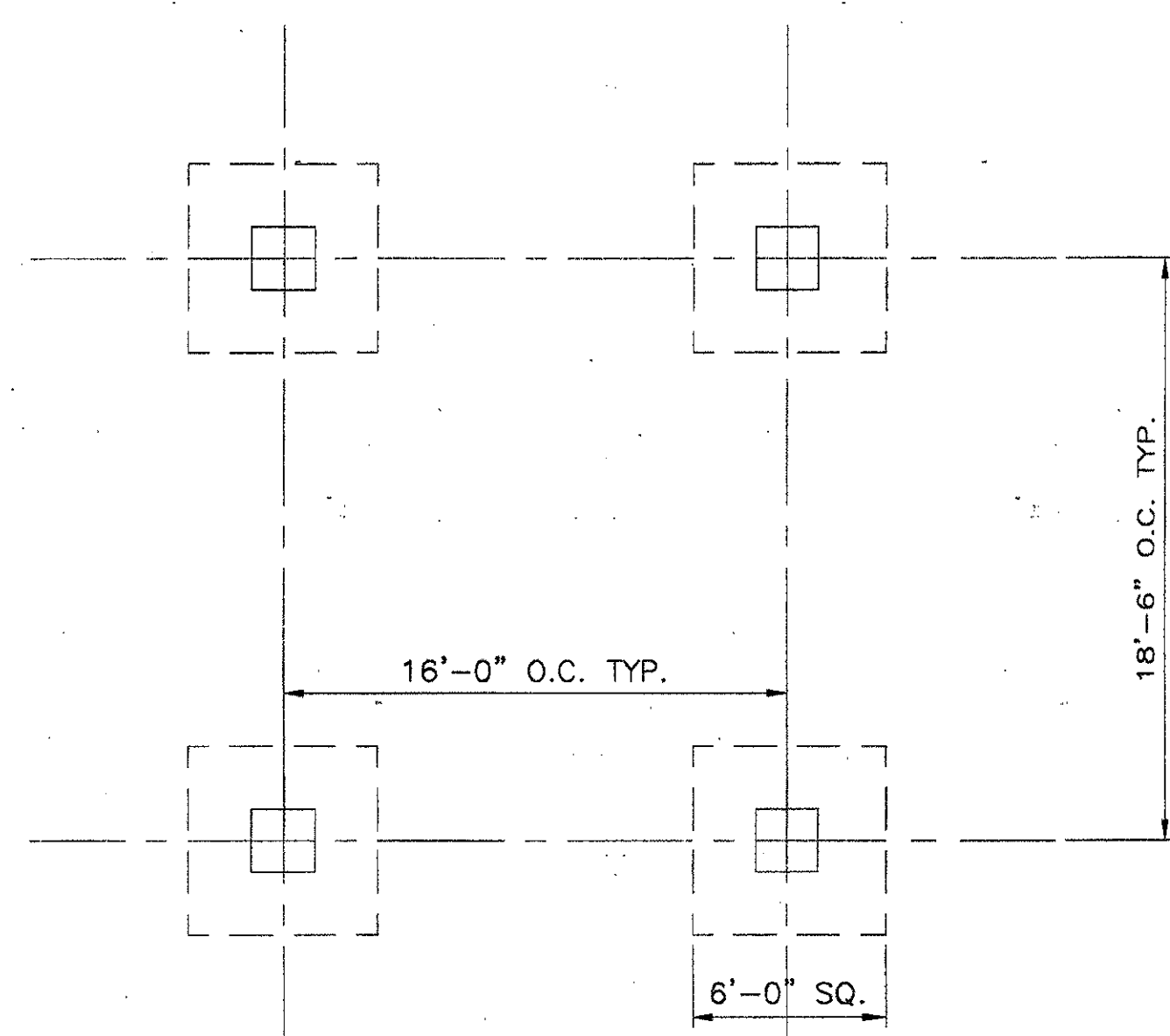


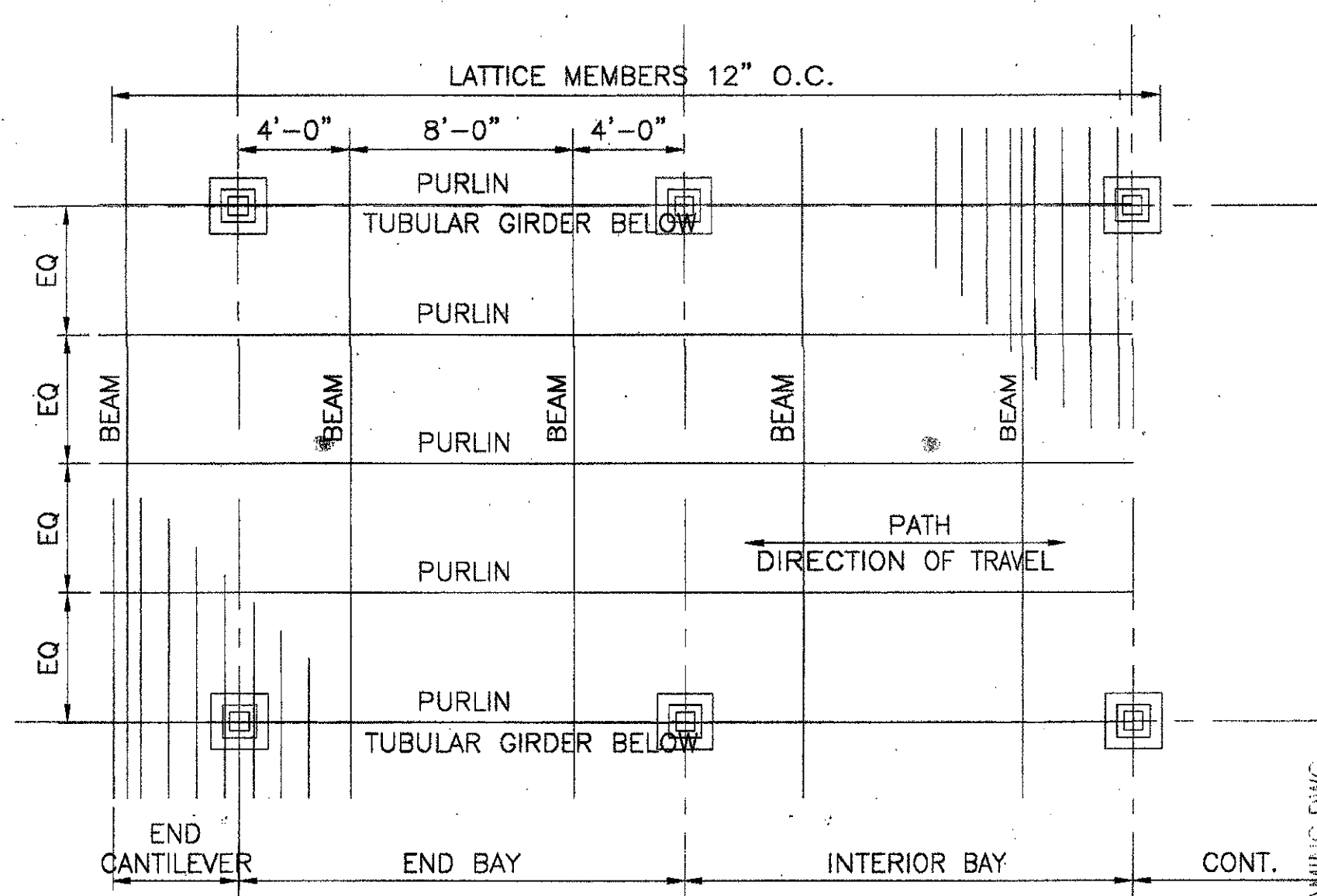
6 VINE SUPPORT CABLES FOR PERGOLA COLUMNS
SCALE: 1/2" = 1'-0"



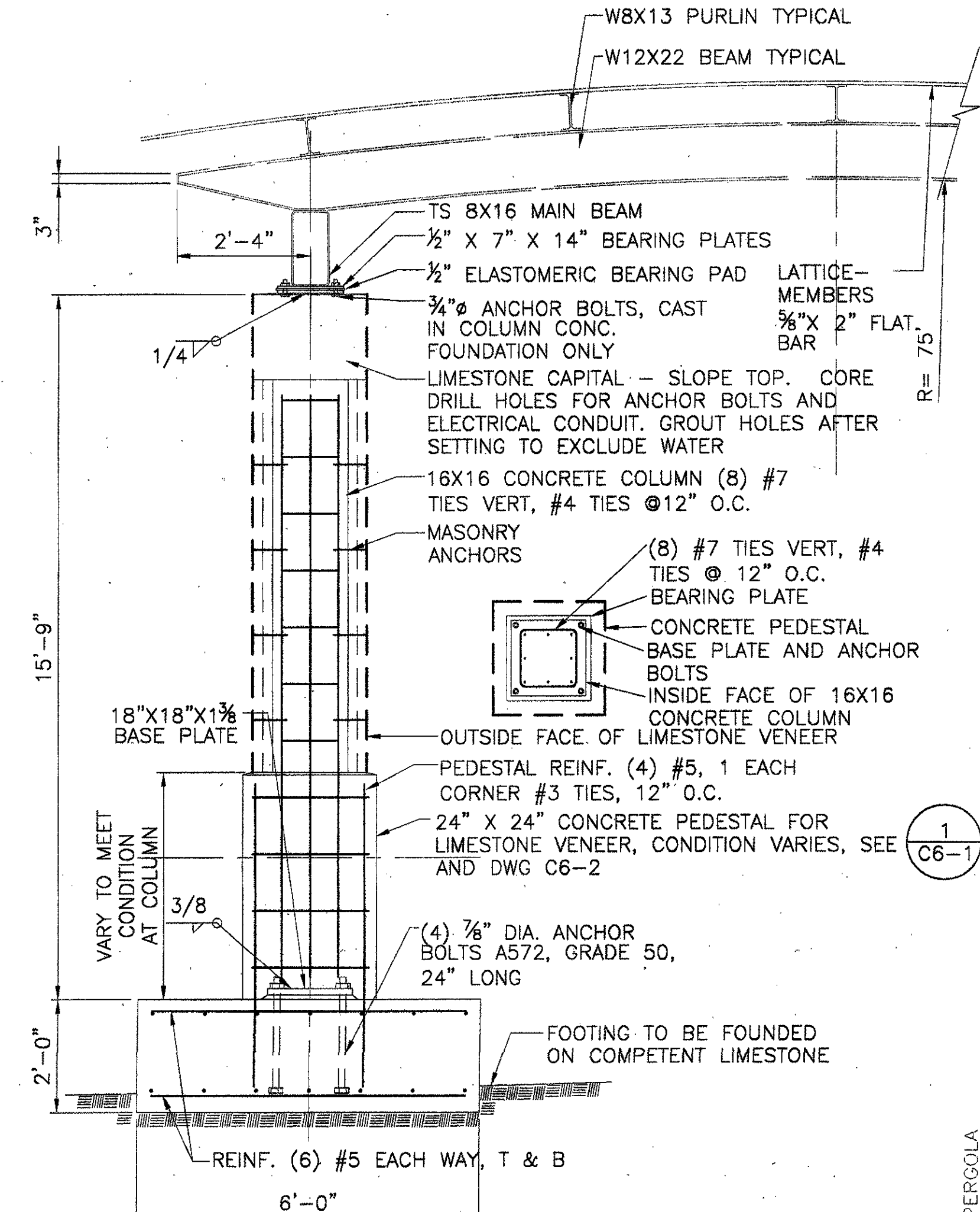
5 COMPLETED PERGOLA BEAM CONNECTION
SCALE: 1" = 1'-0"



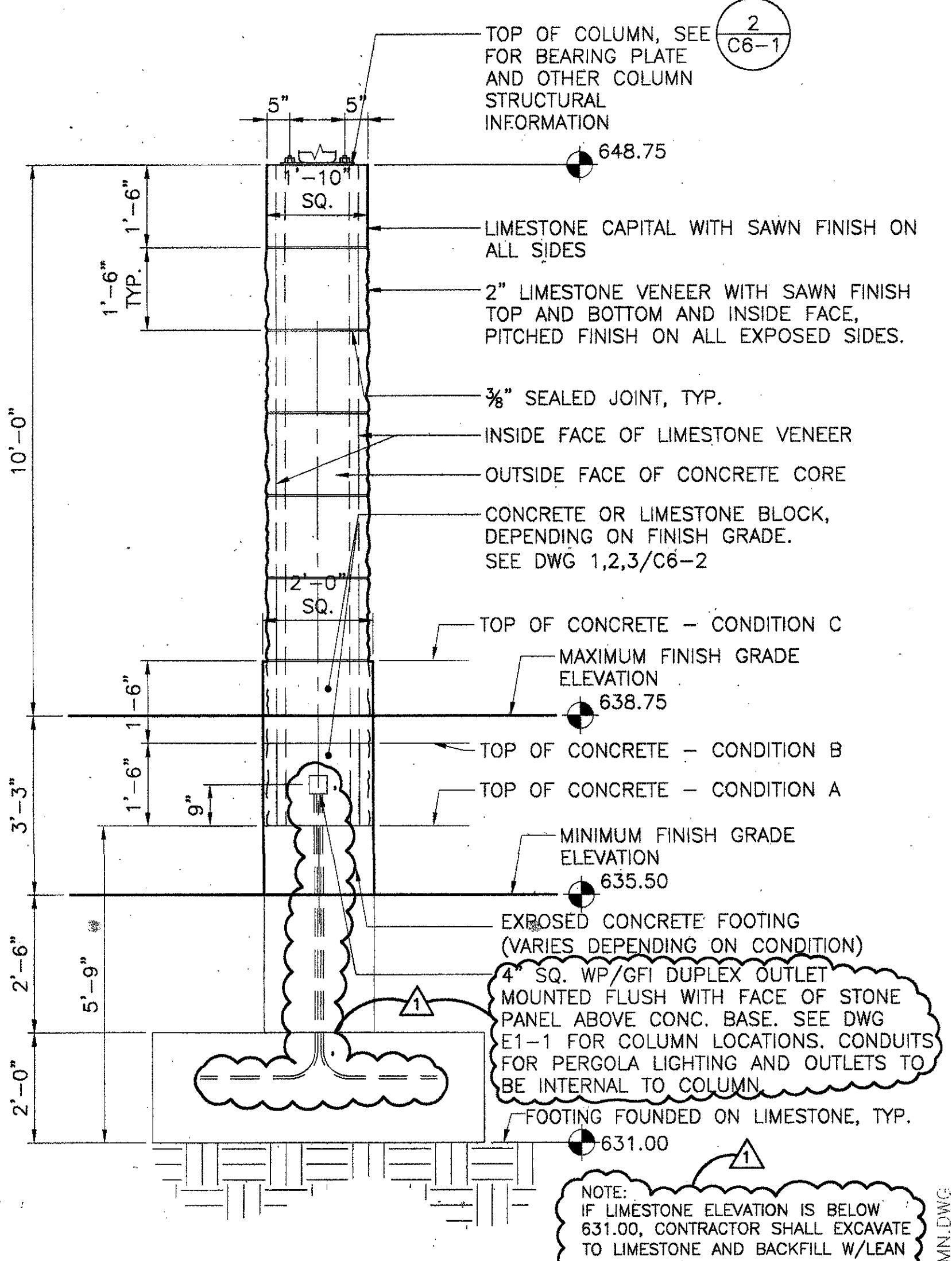
4 TYPICAL PARTIAL FOUNDATION PLAN
SCALE: 3/16" = 1'-0"



3 TYPICAL PARTIAL FRAMING PLAN
SCALE: 3/16" = 1'-0"



2 TYPICAL PERGOLA SECTION
SCALE: NONE



1 PERGOLA COLUMN ELEVATION
SCALE: 1/2" = 1'-0"

ADDENDUM #2	10-21-02
ISSUED FOR CONSTRUCTION	09-30-02
No. Description	Date

DWG ISSUE & REVISION HISTORY

Stamp

Project Title:

ADDISON ARTS & EVENTS DISTRICT
ADDISON, TEXAS

Drawing Title:

PERGOLA PLAN & DETAILS

Project No. 14516.00 Scale: AS NOTED
Drawn By: CB/UB
Checked By: DC
Approved By: SEH
Date: September 30, 2002

Drawing No. **C6-1**