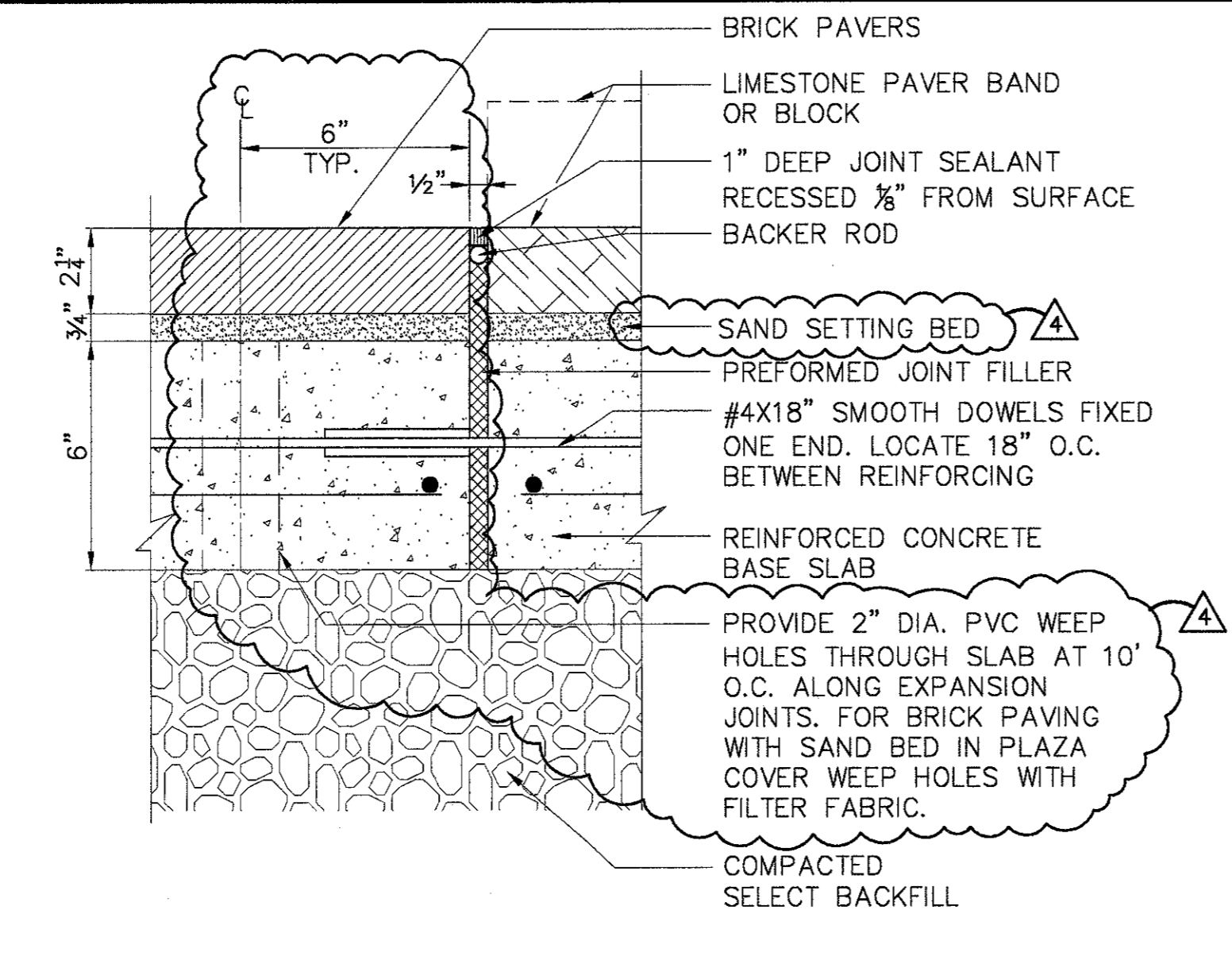
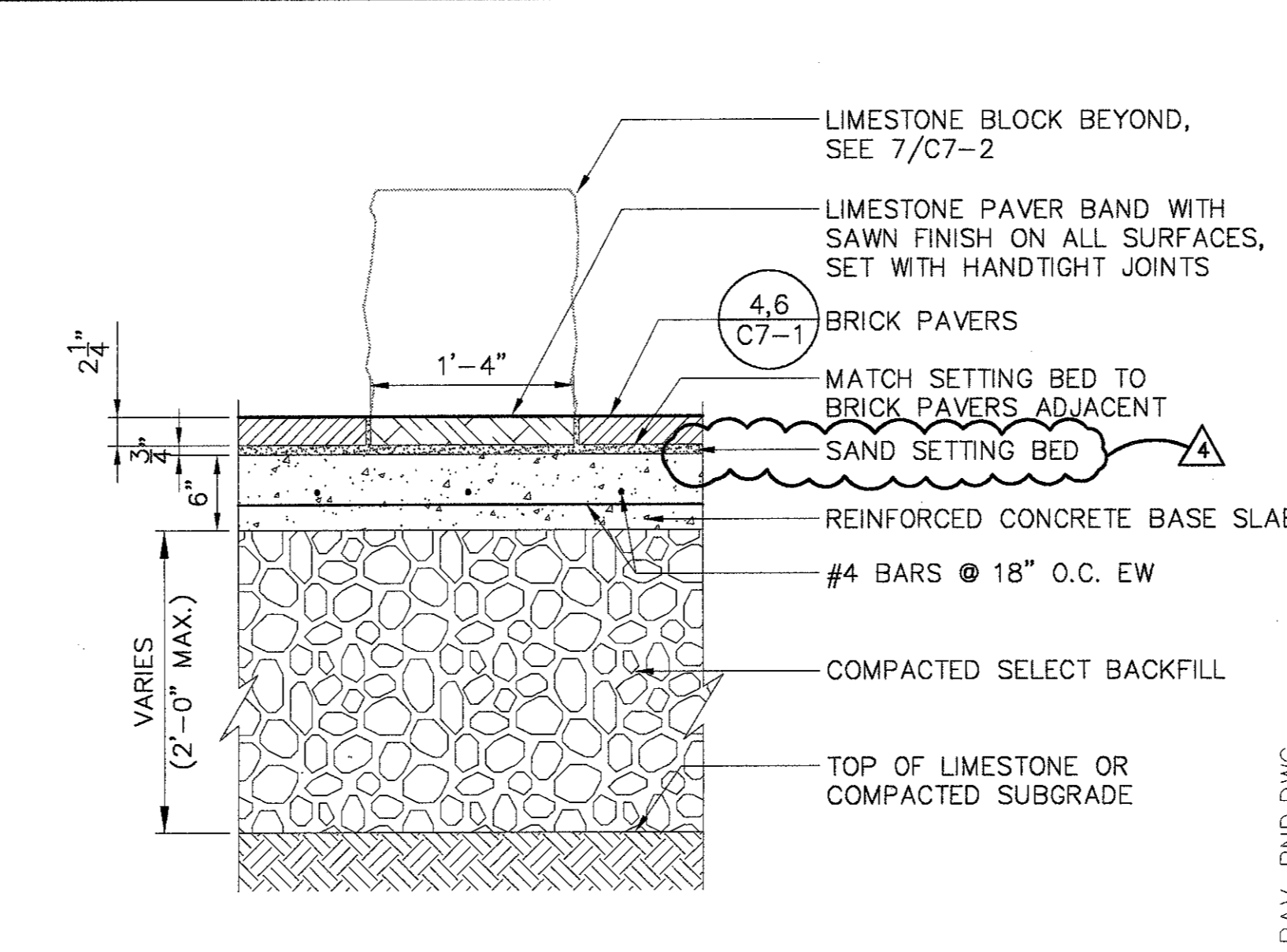


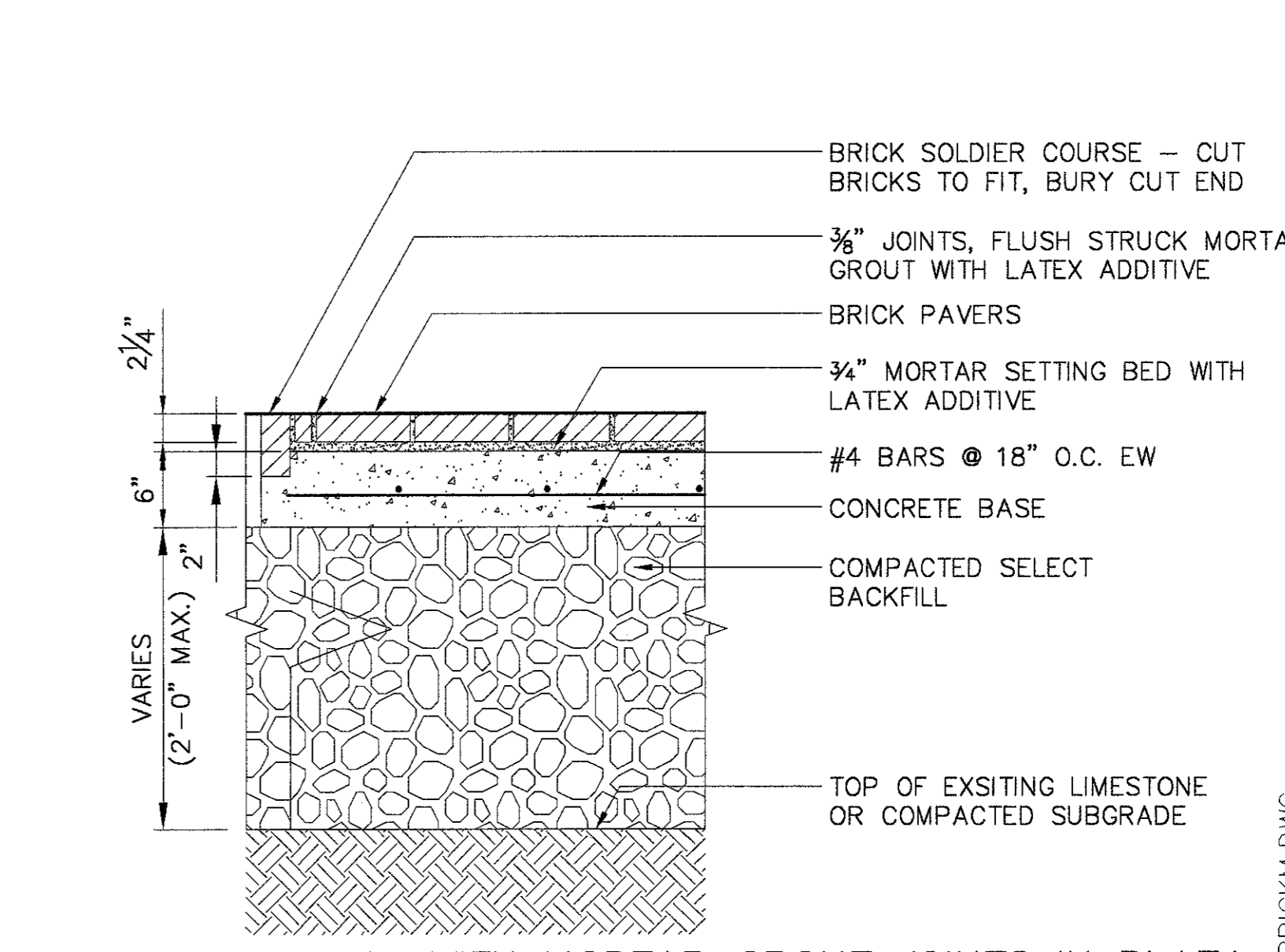
16 TYPICAL REINFORCED EARTH SECTION  
SCALE: 1" = 1'-0"



12 BRICK PAVERS/LIMESTONE PAVING EXPANSION JOINT  
SCALE: 3" = 1'-0"

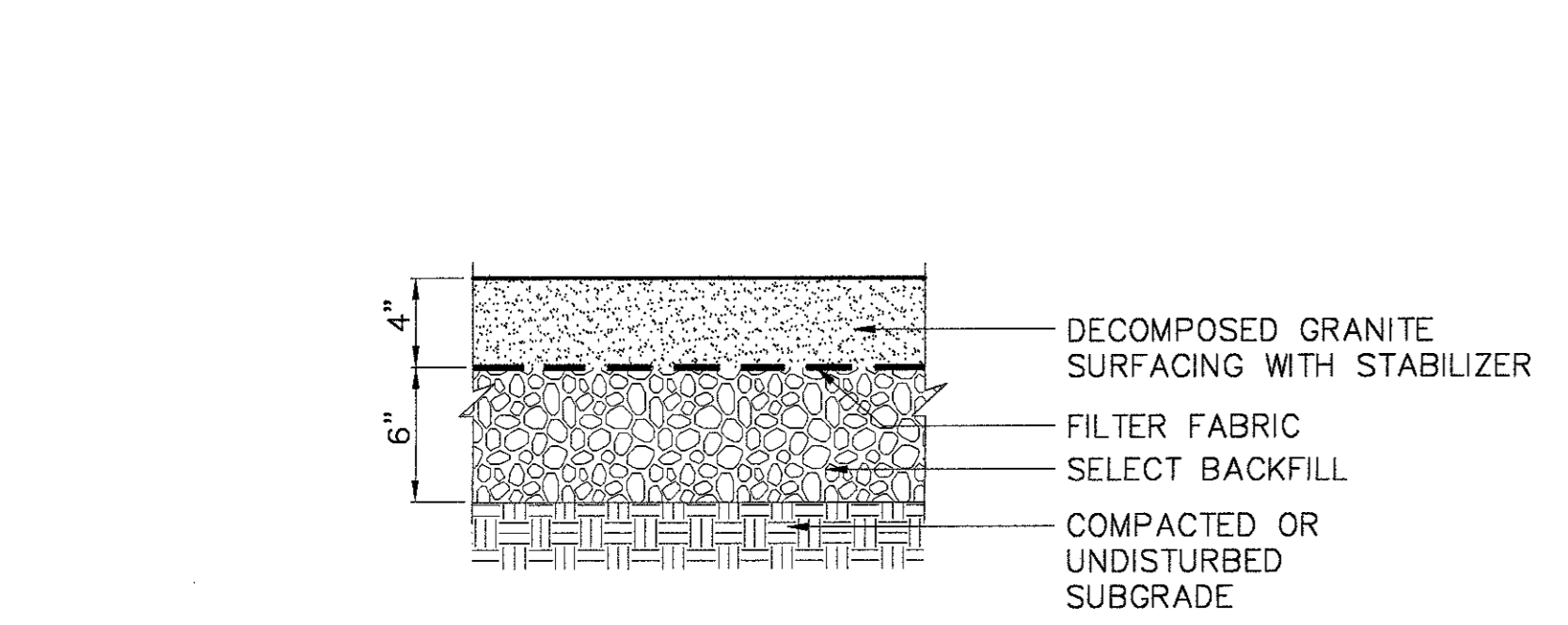


8 LIMESTONE PAVING BAND IN PLAZA, TYPICAL SECTION  
SCALE: 1" = 1'-0"

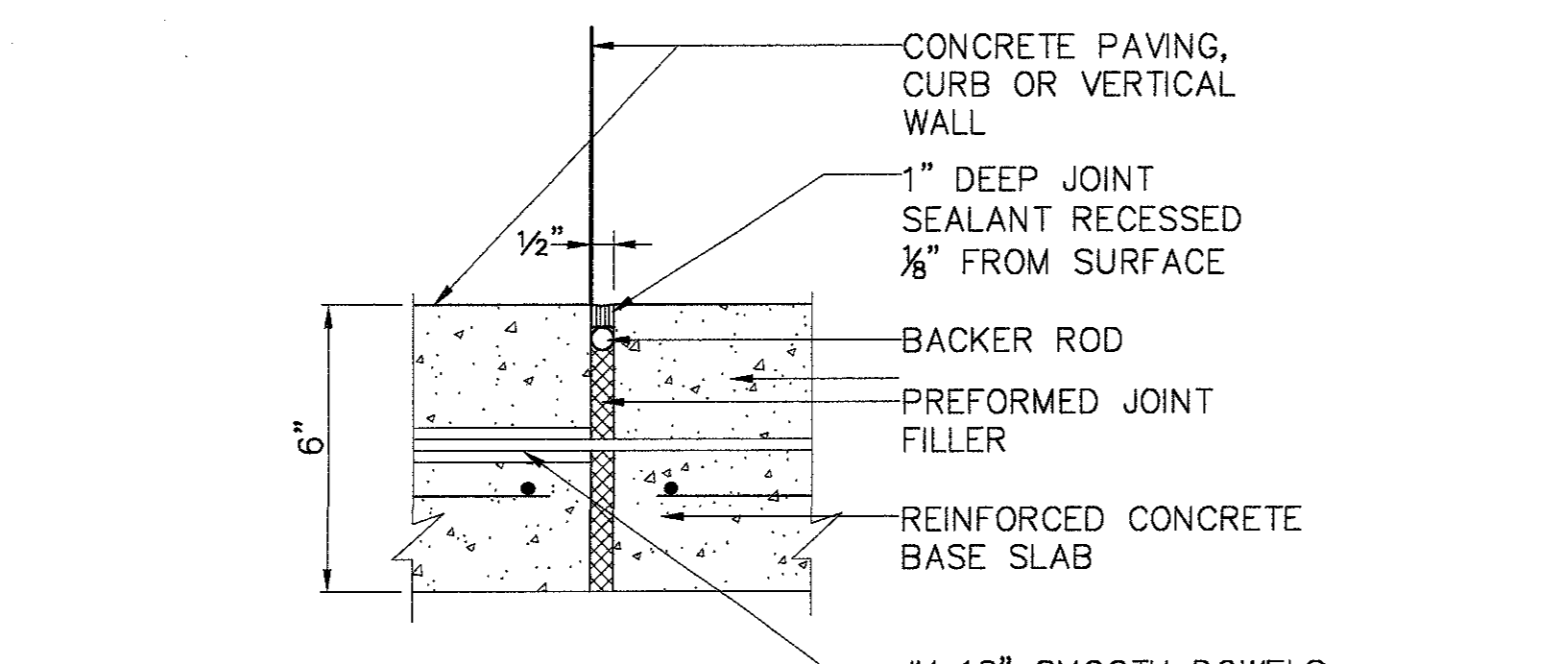


4 BRICK PAVING WITH MORTAR GROUT JOINTS IN PLAZA  
SCALE: 1" = 1'-0"

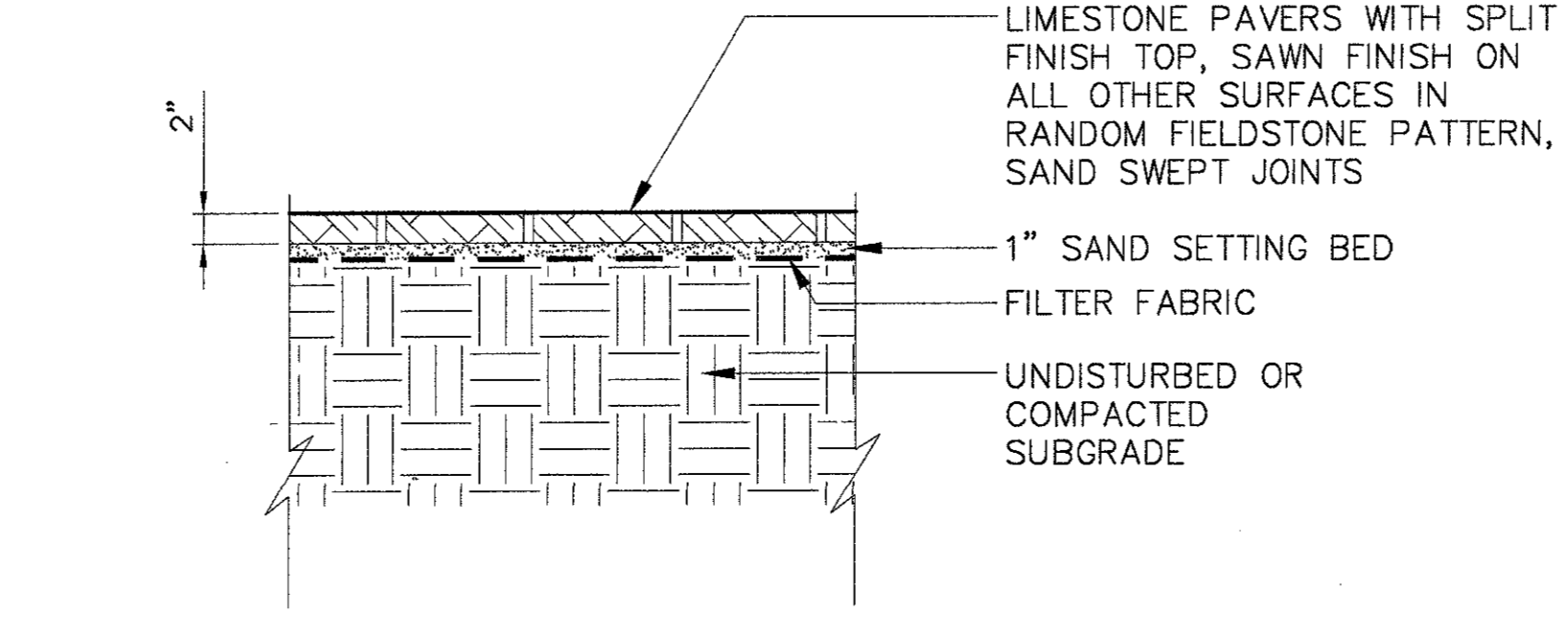
NOTE:  
ALL EXPOSED AGGREGATE PAVING IS TYPE A UNLESS OTHERWISE SPECIFIED. TYPE B IS IN PLAZA FOUNTAIN POOL ONLY



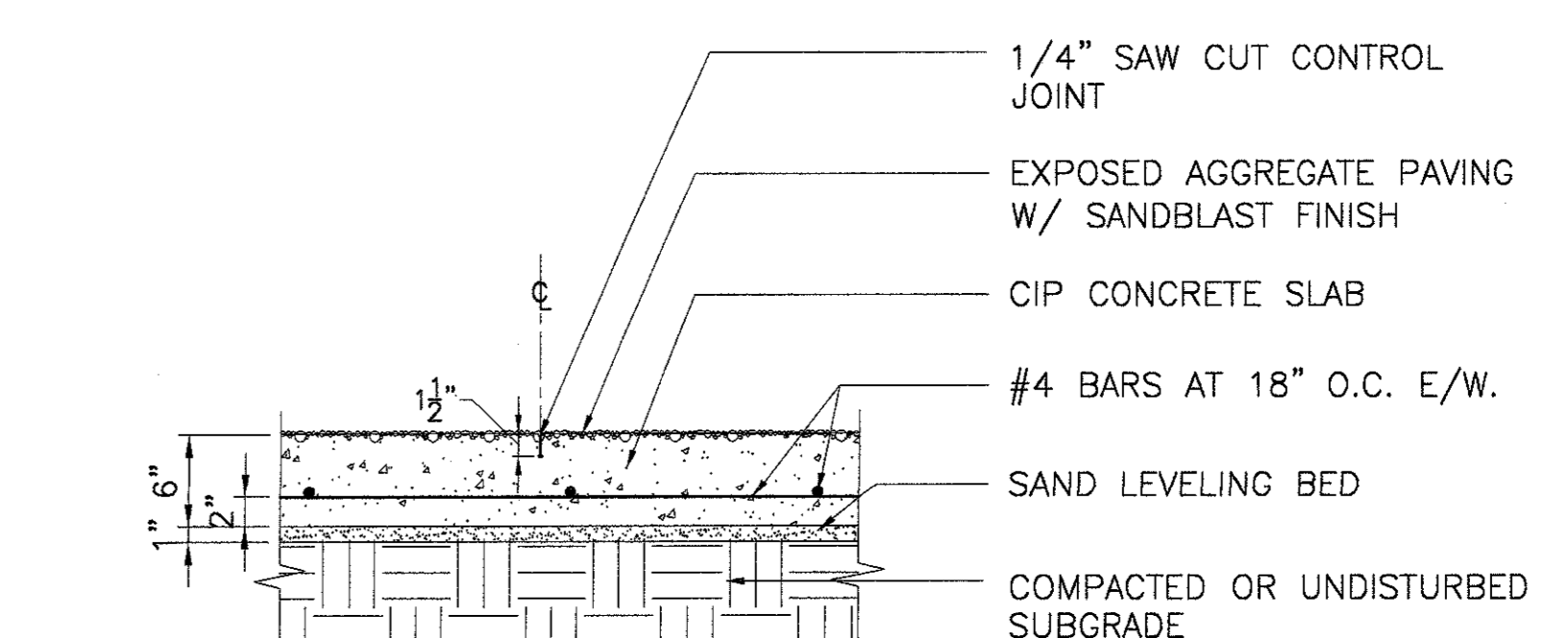
15 STONE DUST SURFACING  
SCALE: 1 1/2" = 1'-0"



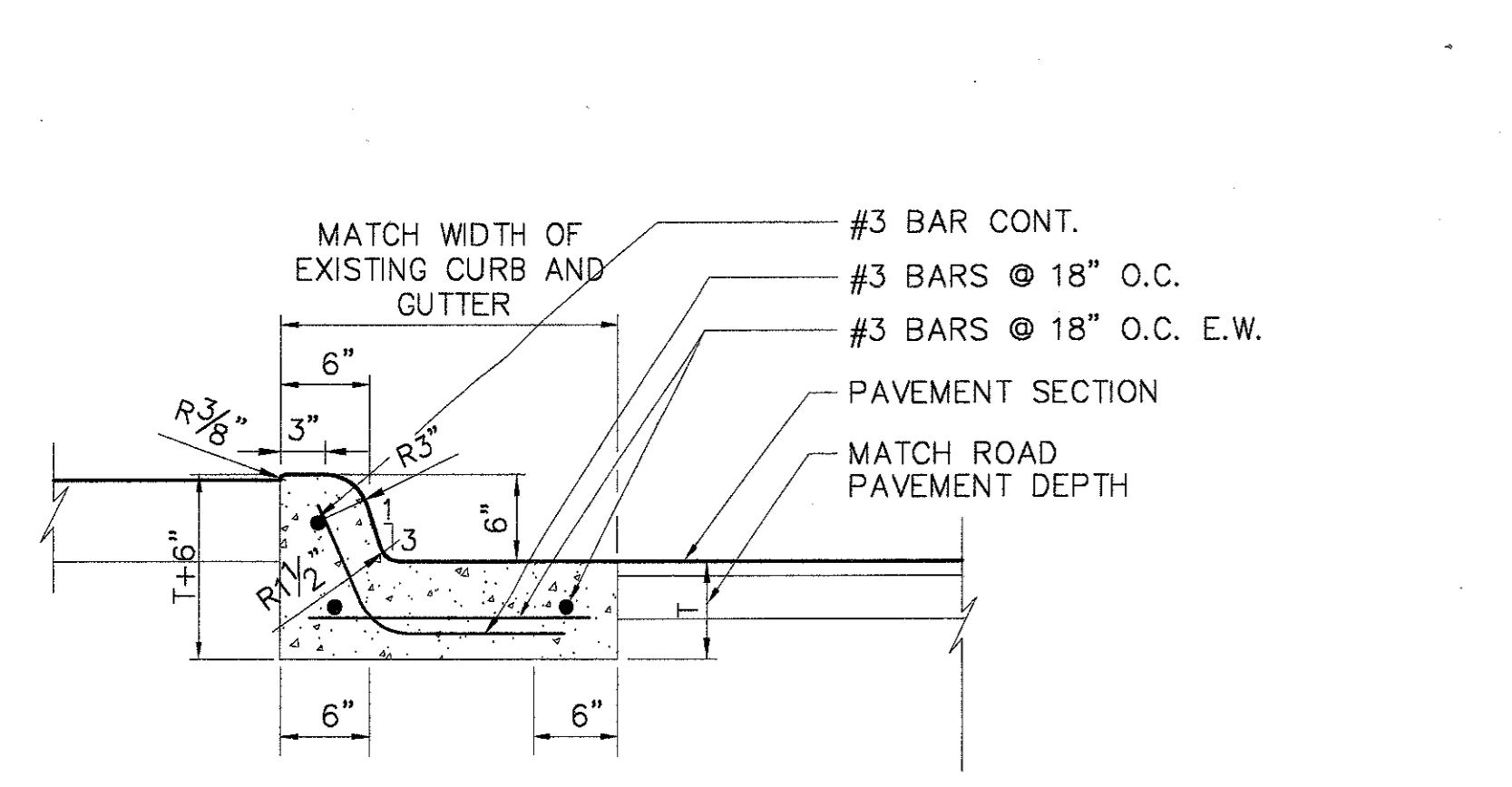
11 CONCRETE SIDEWALK PAVING EXPANSION JOINT  
SCALE: 3" = 1'-0"



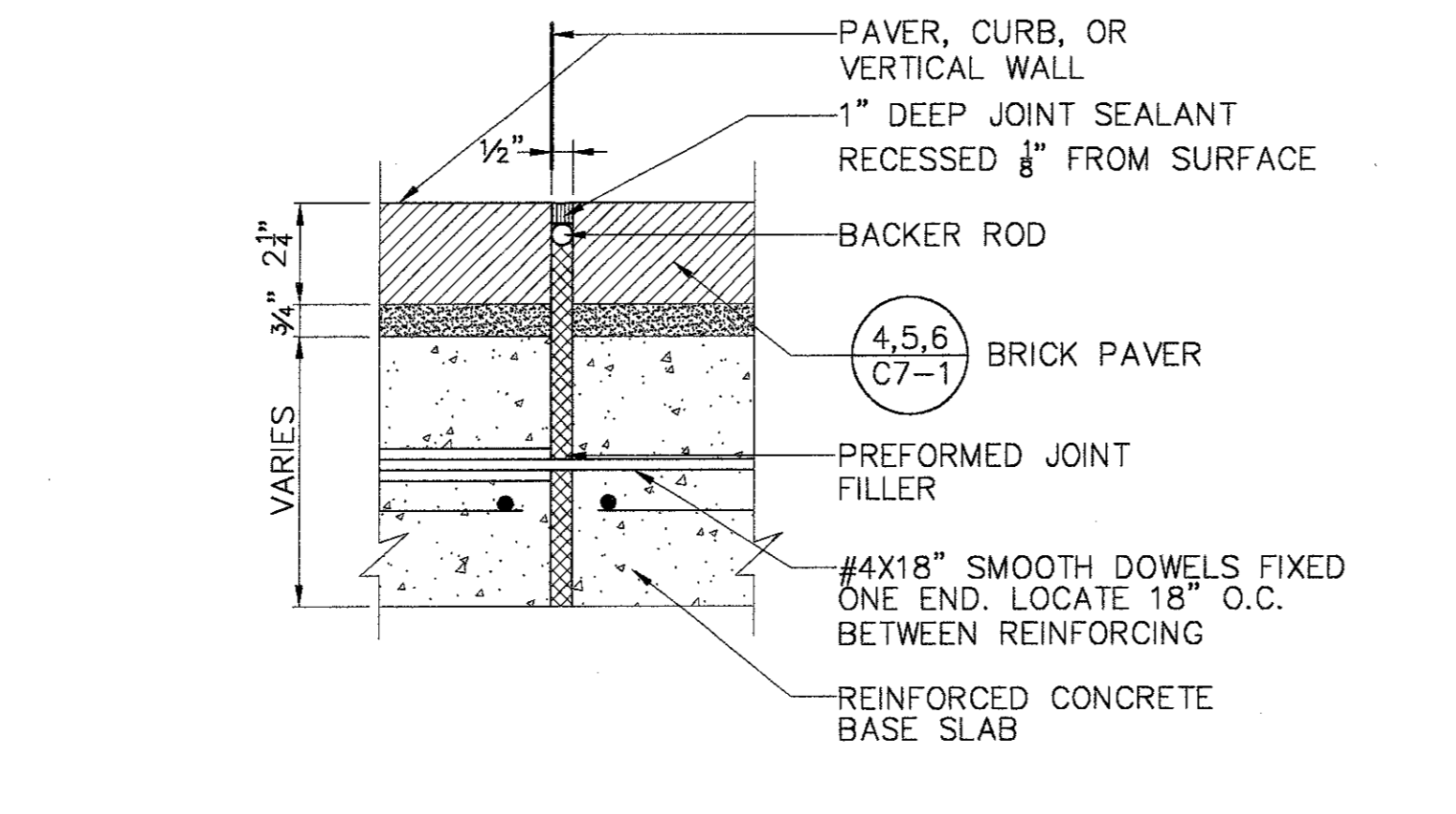
7 LIMESTONE PAVING IN GARDEN COURTS  
SCALE: 1" = 1'-0"



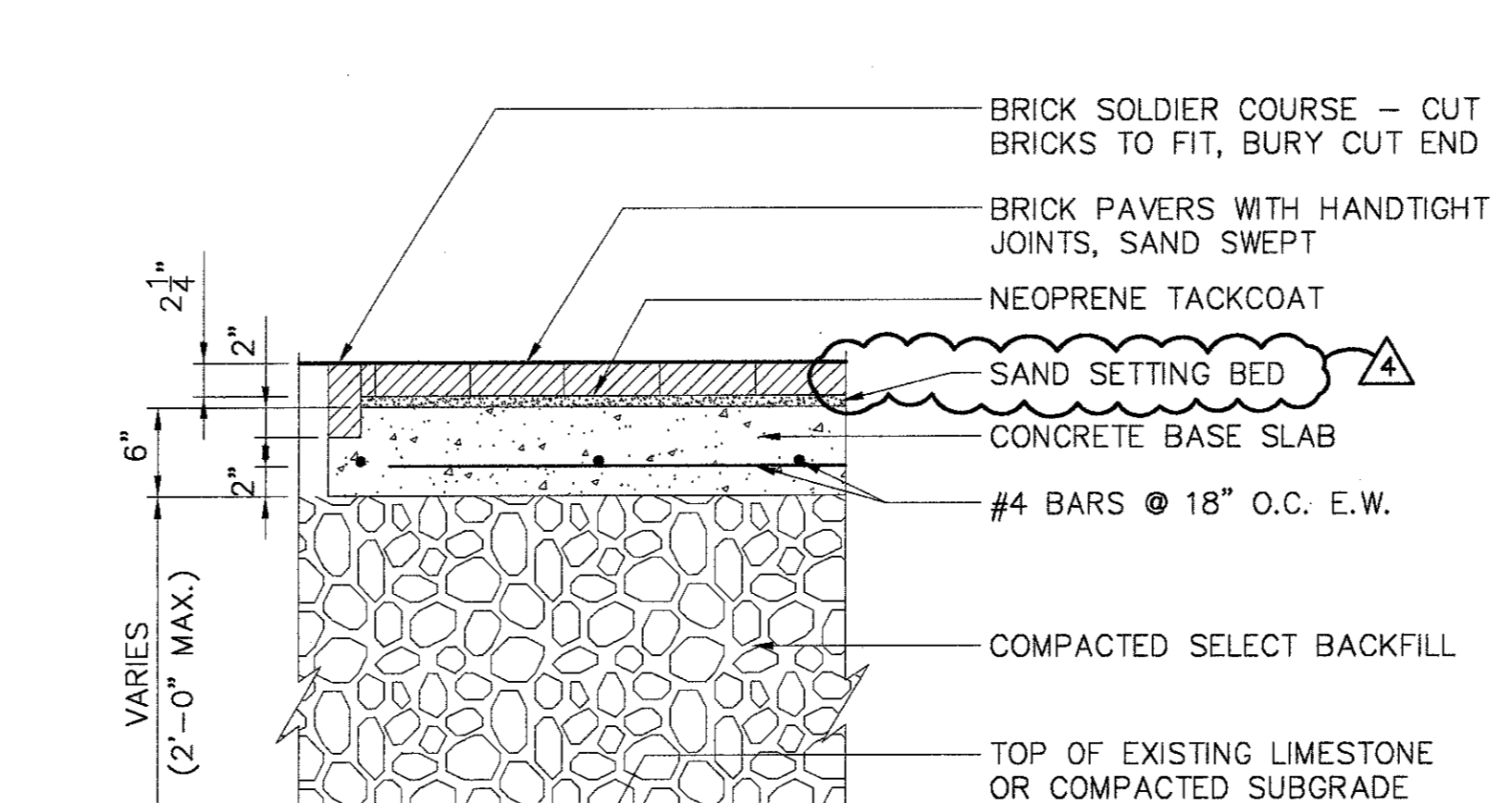
3 EXPOSED AGGREGATE PAVING  
SCALE: 1" = 1'-0"



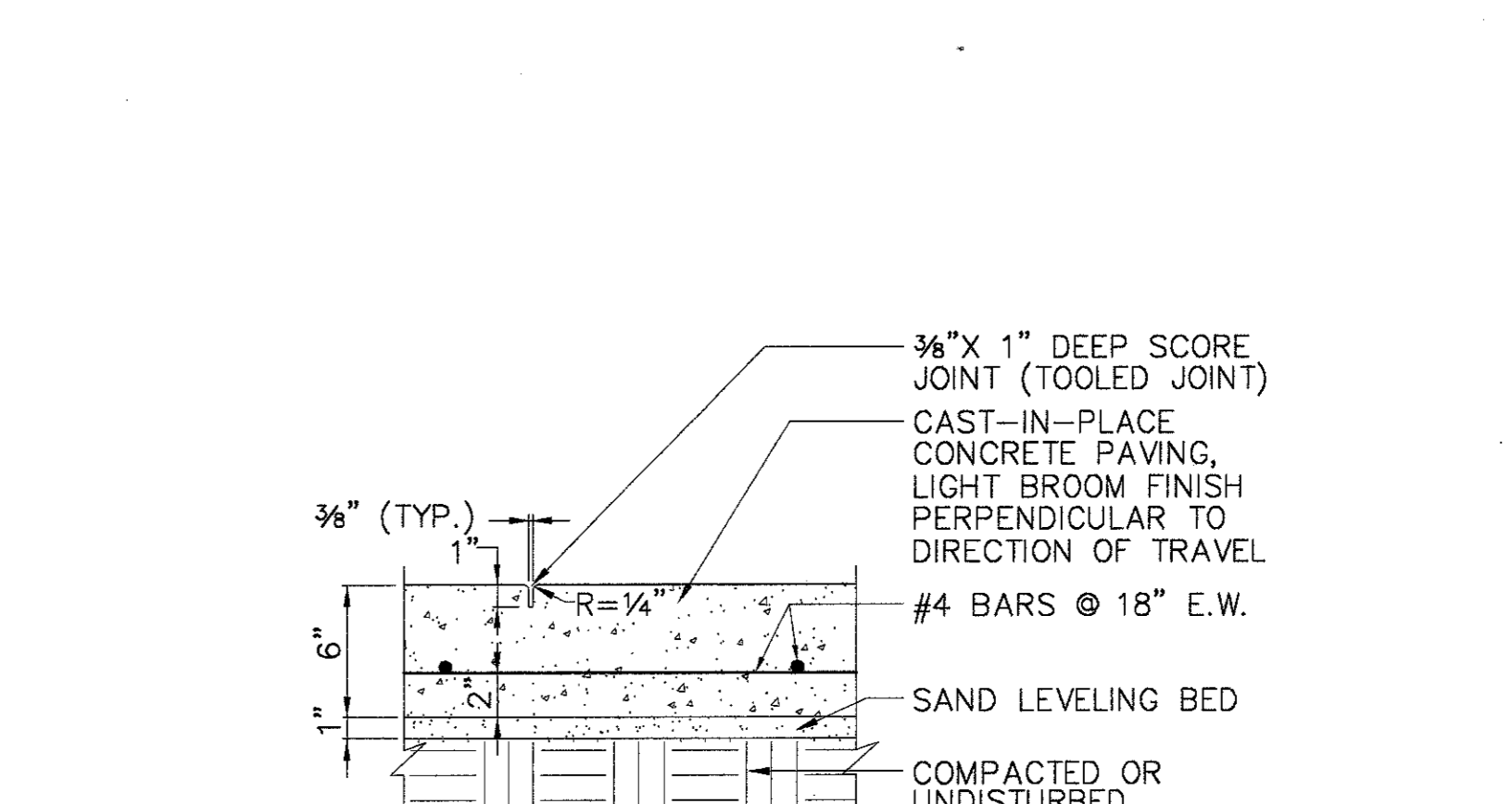
14 INTEGRAL CURB AND GUTTER  
SCALE: 1" = 1'-0"



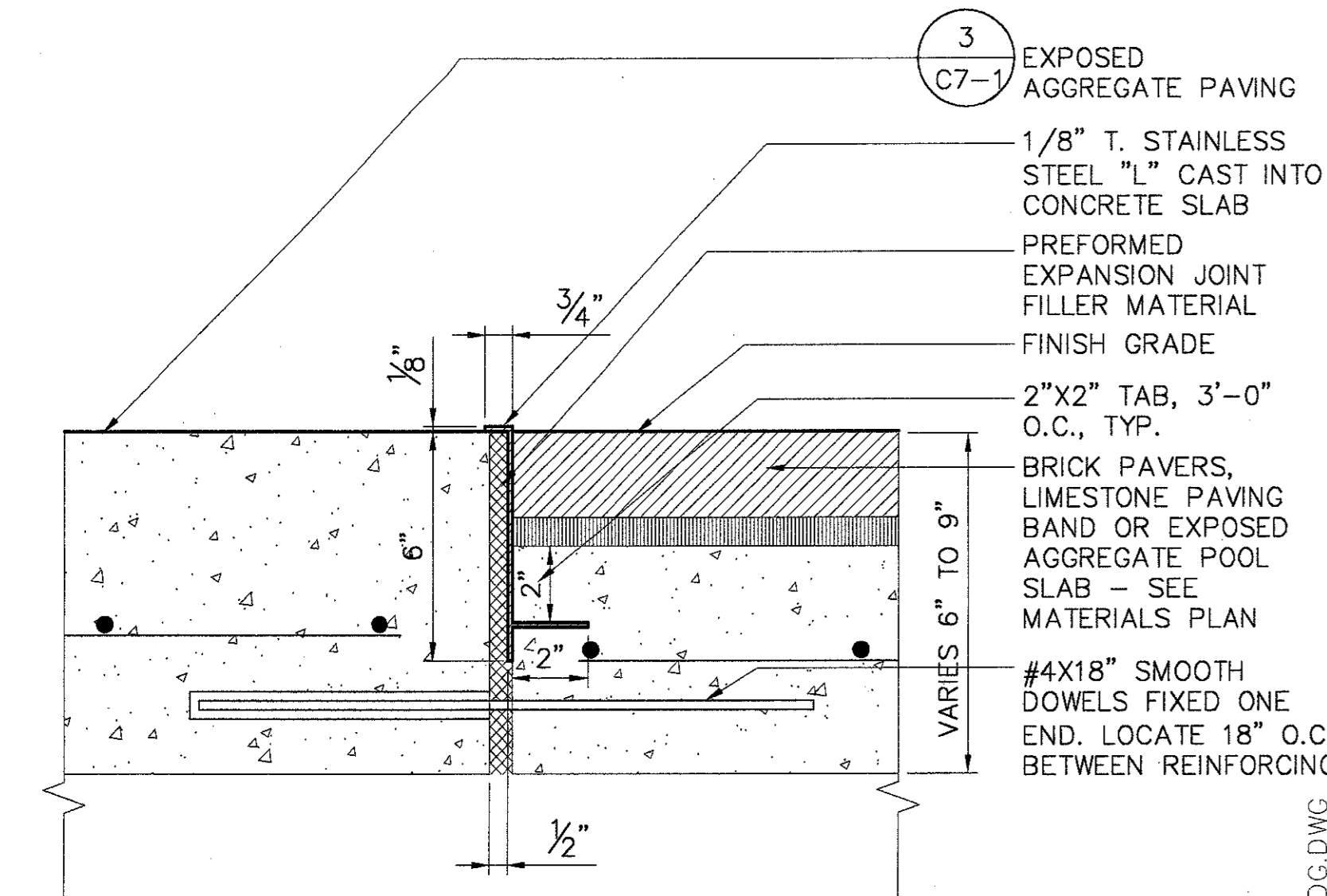
10 BRICK PAVERS EXPANSION JOINT  
SCALE: 3" = 1'-0"



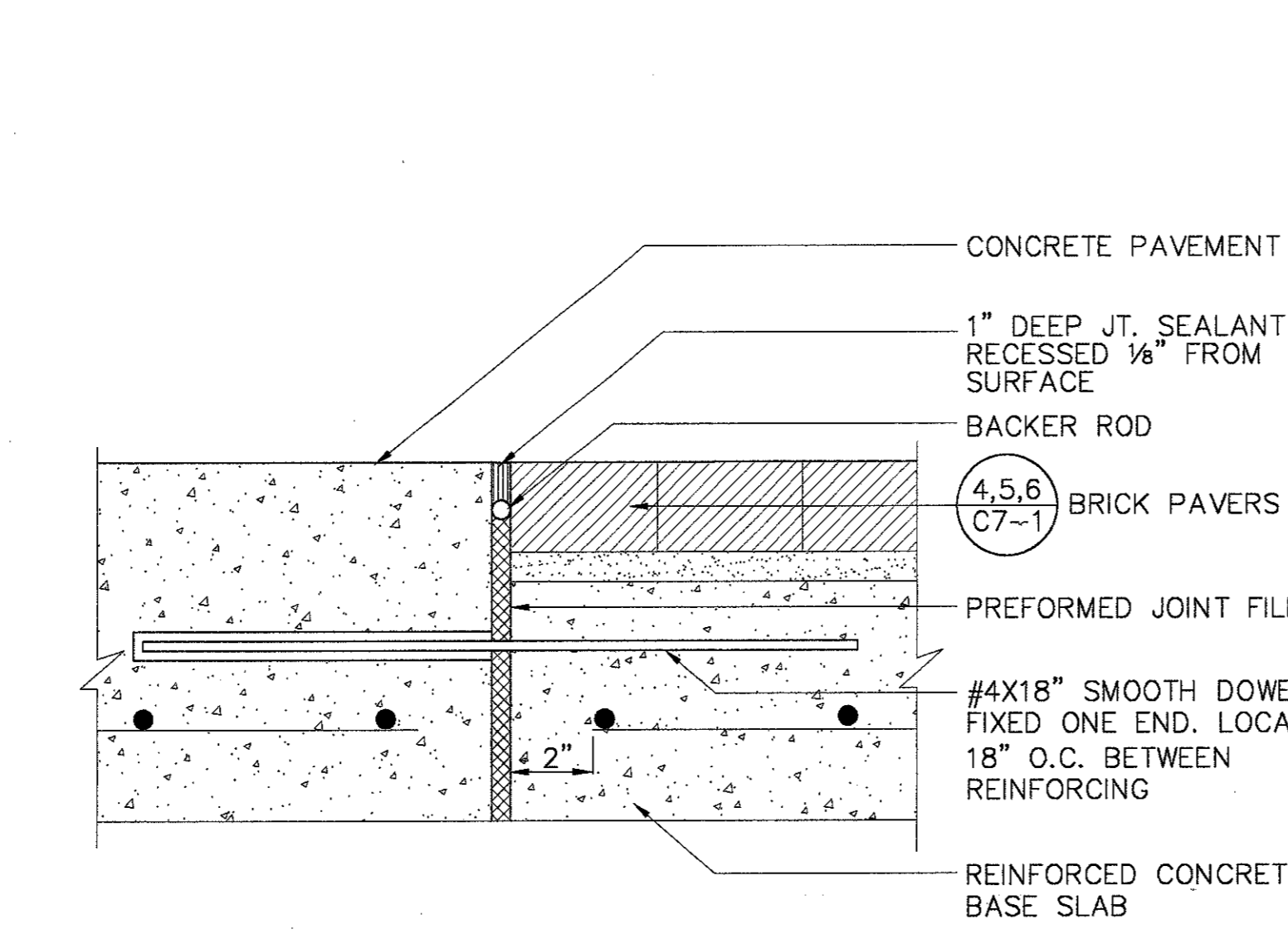
6 BRICK PAVING IN PLAZA  
SCALE: 1" = 1'-0"



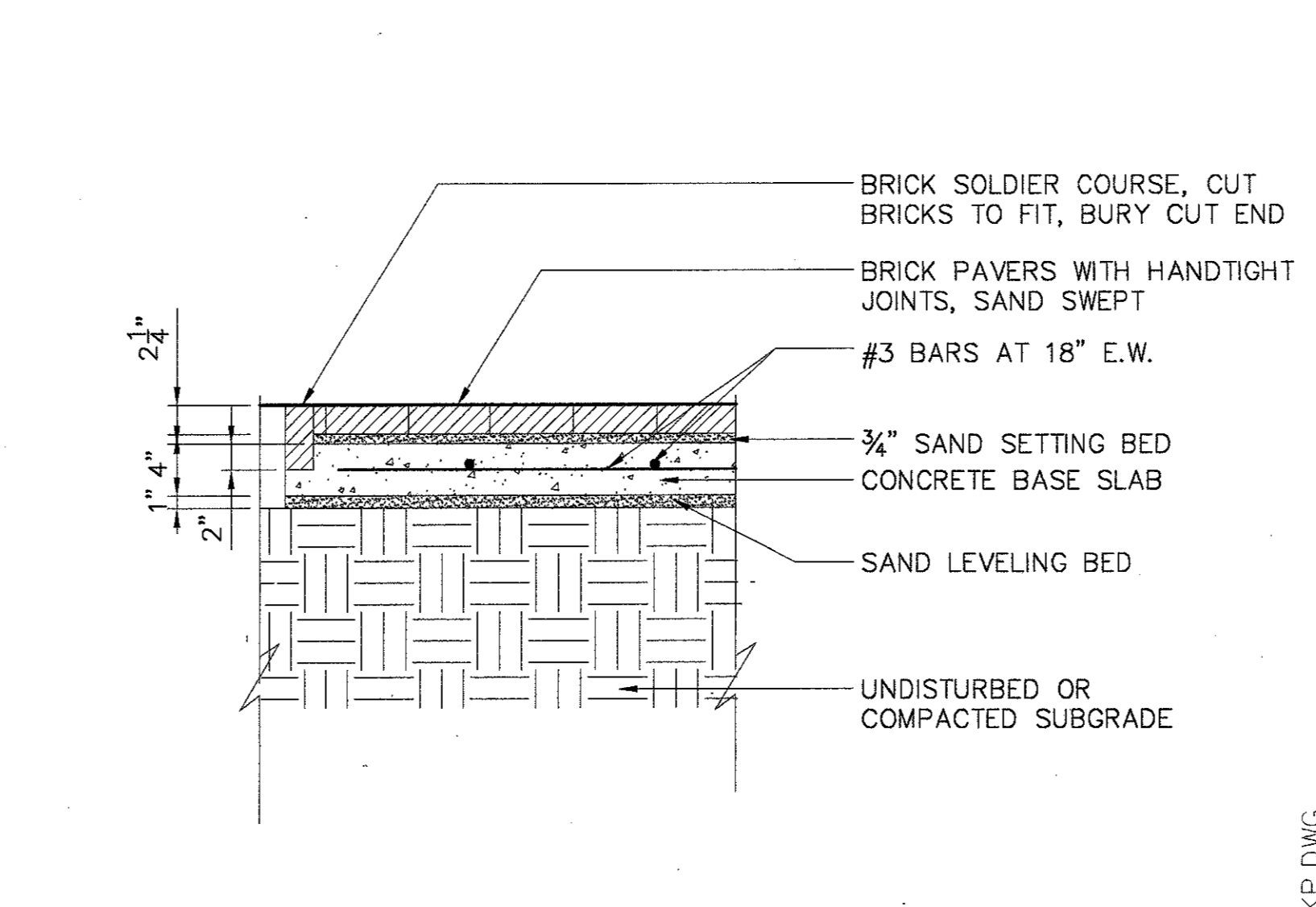
2 CONCRETE PAVING  
SCALE: 1 1/2" = 1'-0"



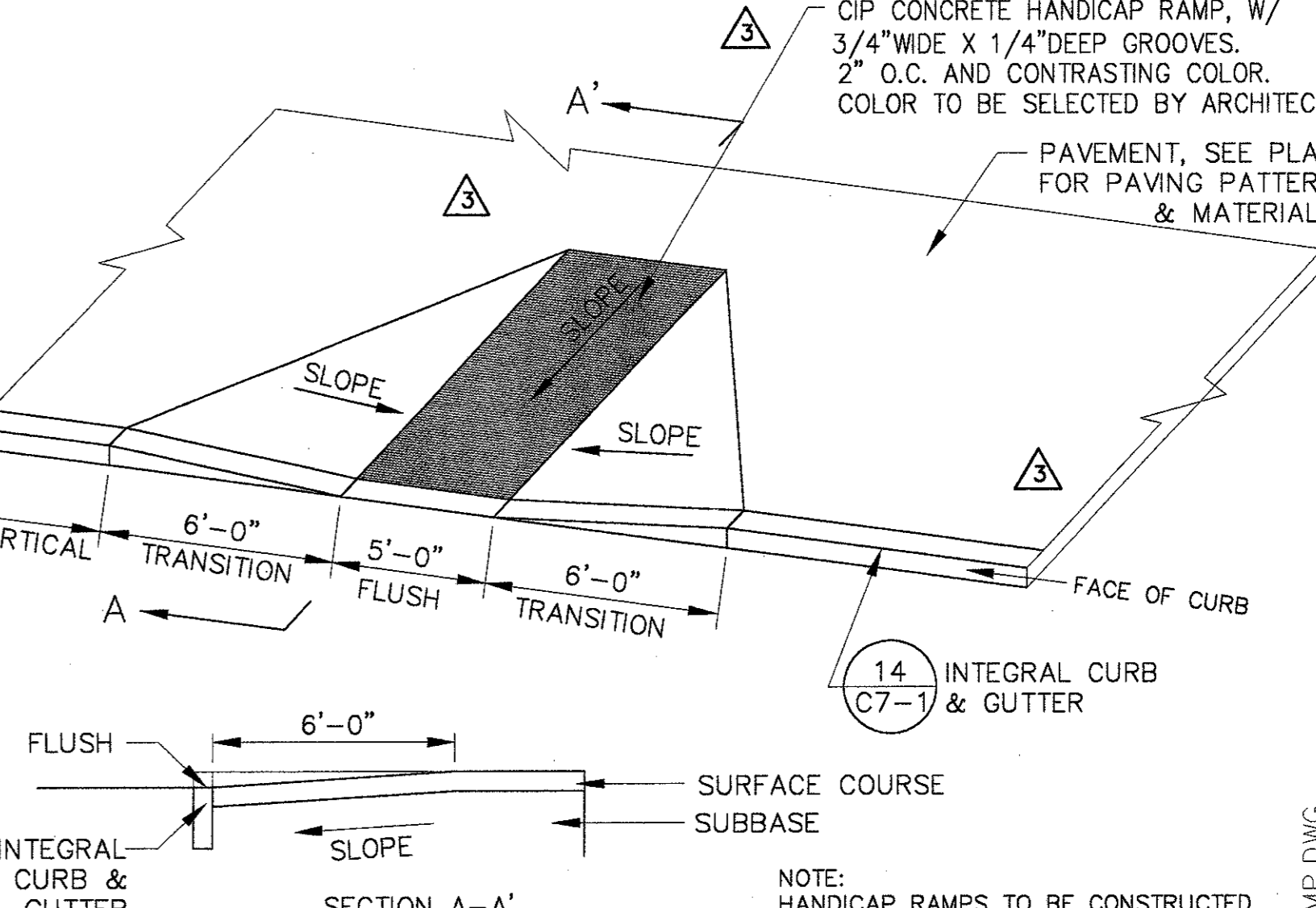
13 EXPANSION JOINT COVER DETAIL  
SCALE: 3" = 1'-0"



9 CONCRETE PAVEMENT/BRICK PAVERS-EXPANSION JOINT  
SCALE: 3" = 1'-0"

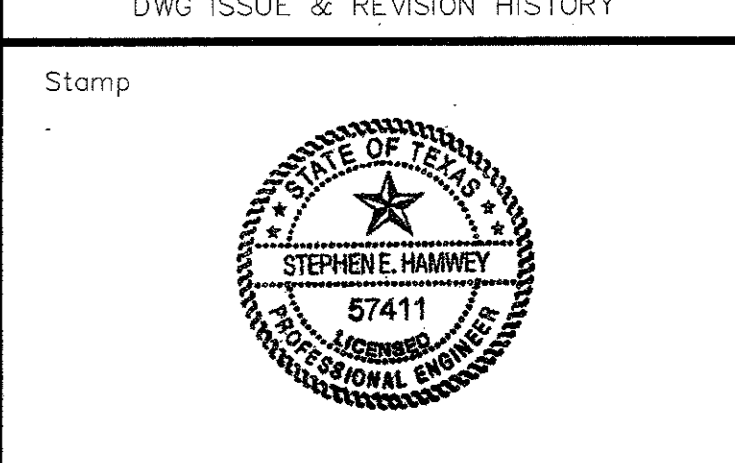


5 BRICK SIDEWALK PAVING  
SCALE: 1" = 1'-0"



1 HANDICAP RAMP DETAIL  
N.T.S.

BULLETIN #4	04-14-03	
BULLETIN #2	03-10-03	
ISSUED FOR CONSTRUCTION	11-26-02	
ADDENDUM #2	10-21-02	
ISSUED FOR CONSTRUCTION	09-30-02	
No.	Description	Date



Project Title:  
**ADDISON ARTS & EVENTS DISTRICT**  
ADDISON, TEXAS

Drawing Title:  
**SITE DETAILS**

Project No. 14516.00 Scale: AS NOTED  
Drawn By: CB/SM  
Checked By: DC  
Approved By: SEH  
Date: September 30, 2002

Drawing No. **C7-1**