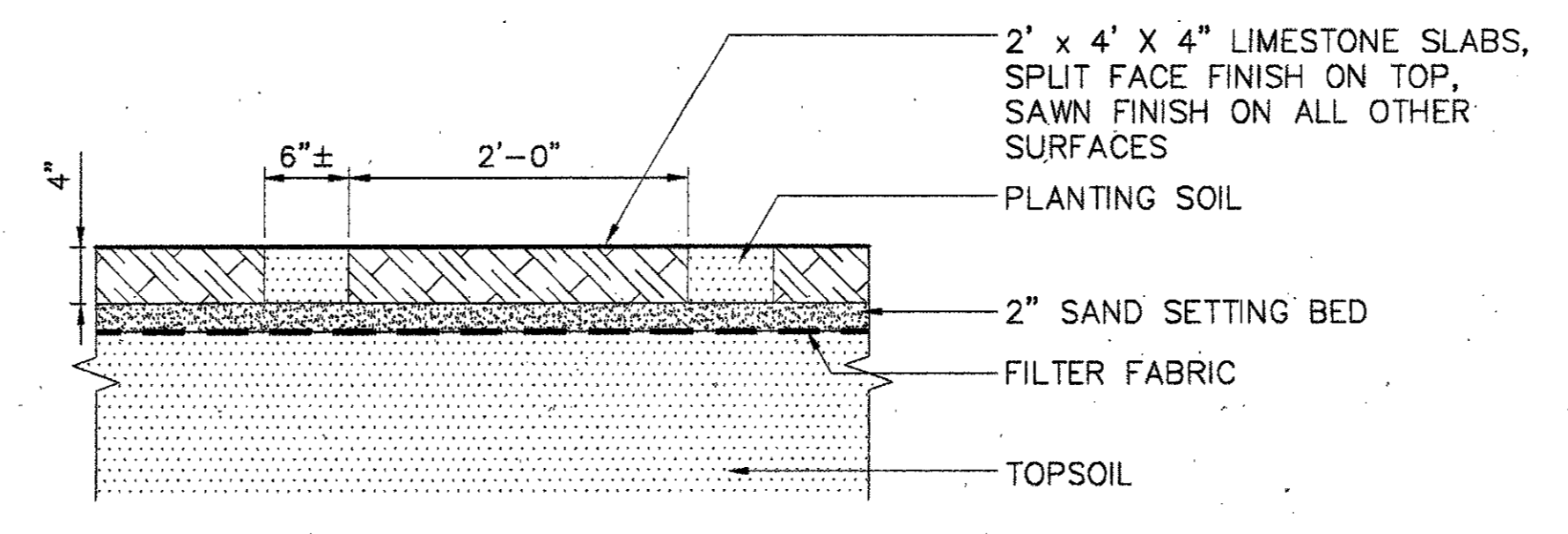
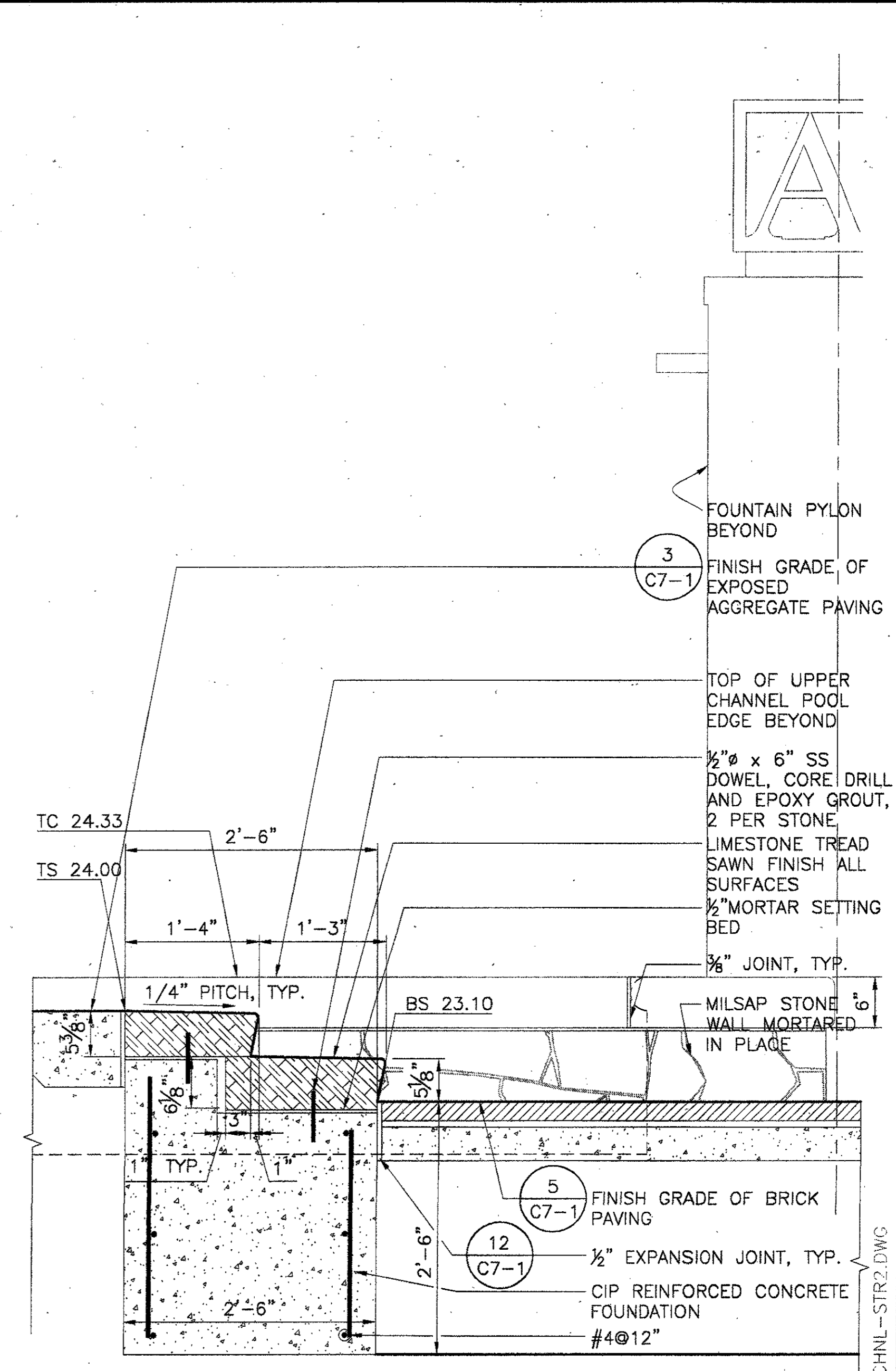


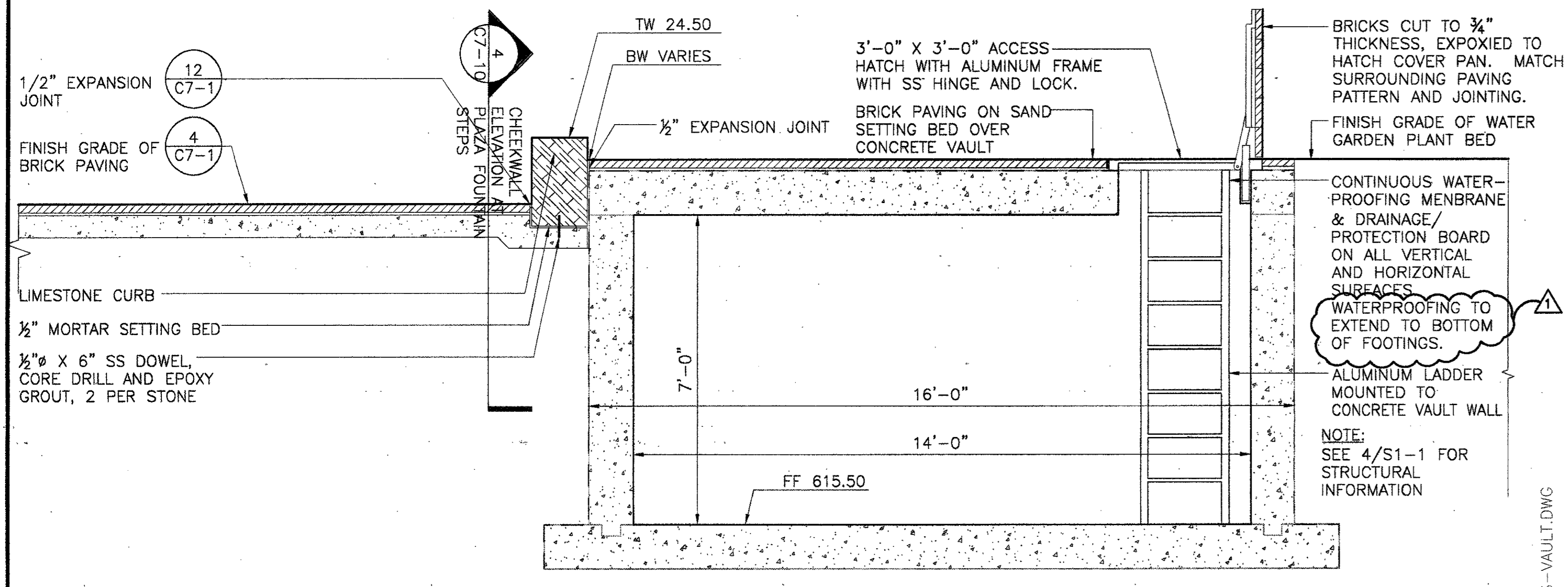
7 METAL GRILL BRIDGE PLAN AT LOWER CHANNEL POOL
 SCALE: 3/4" = 1'-0"



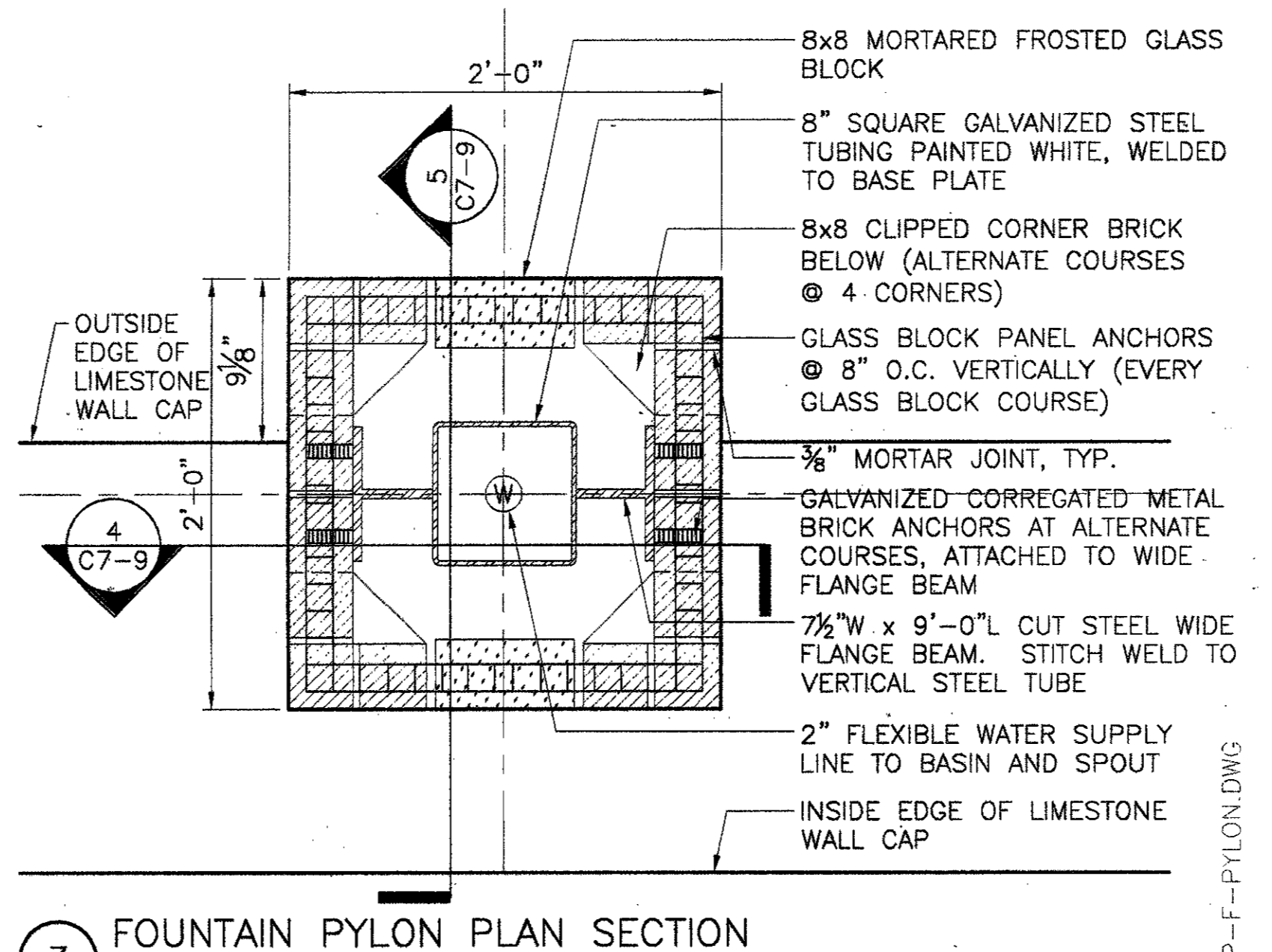
4 LIMESTONE STEPPING STONES IN WATER GARDEN
 SCALE: 1" = 1'-0"



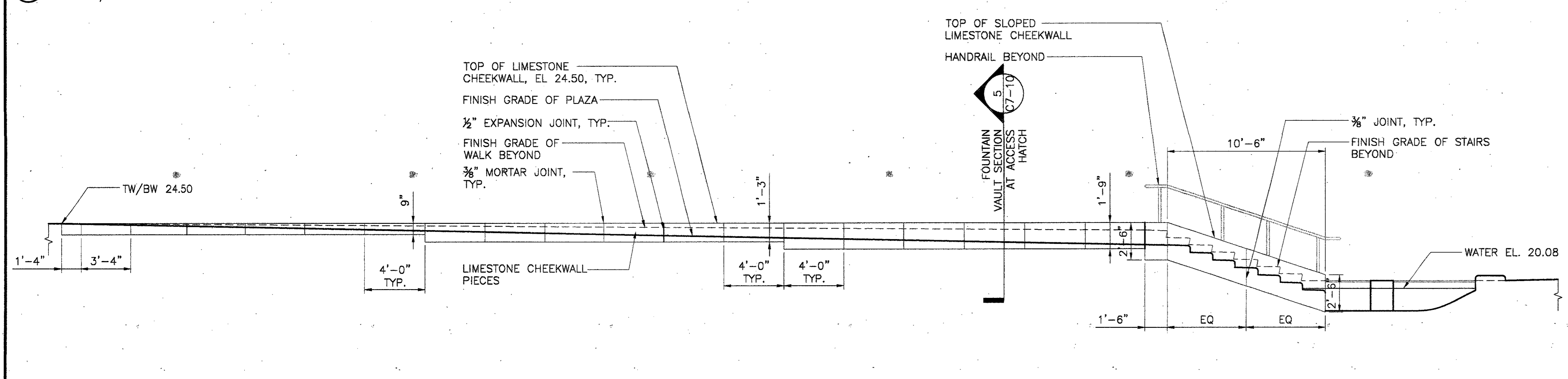
2 WATER GARDEN STEPS 2 SECTION
 SCALE: 1" = 1'-0"



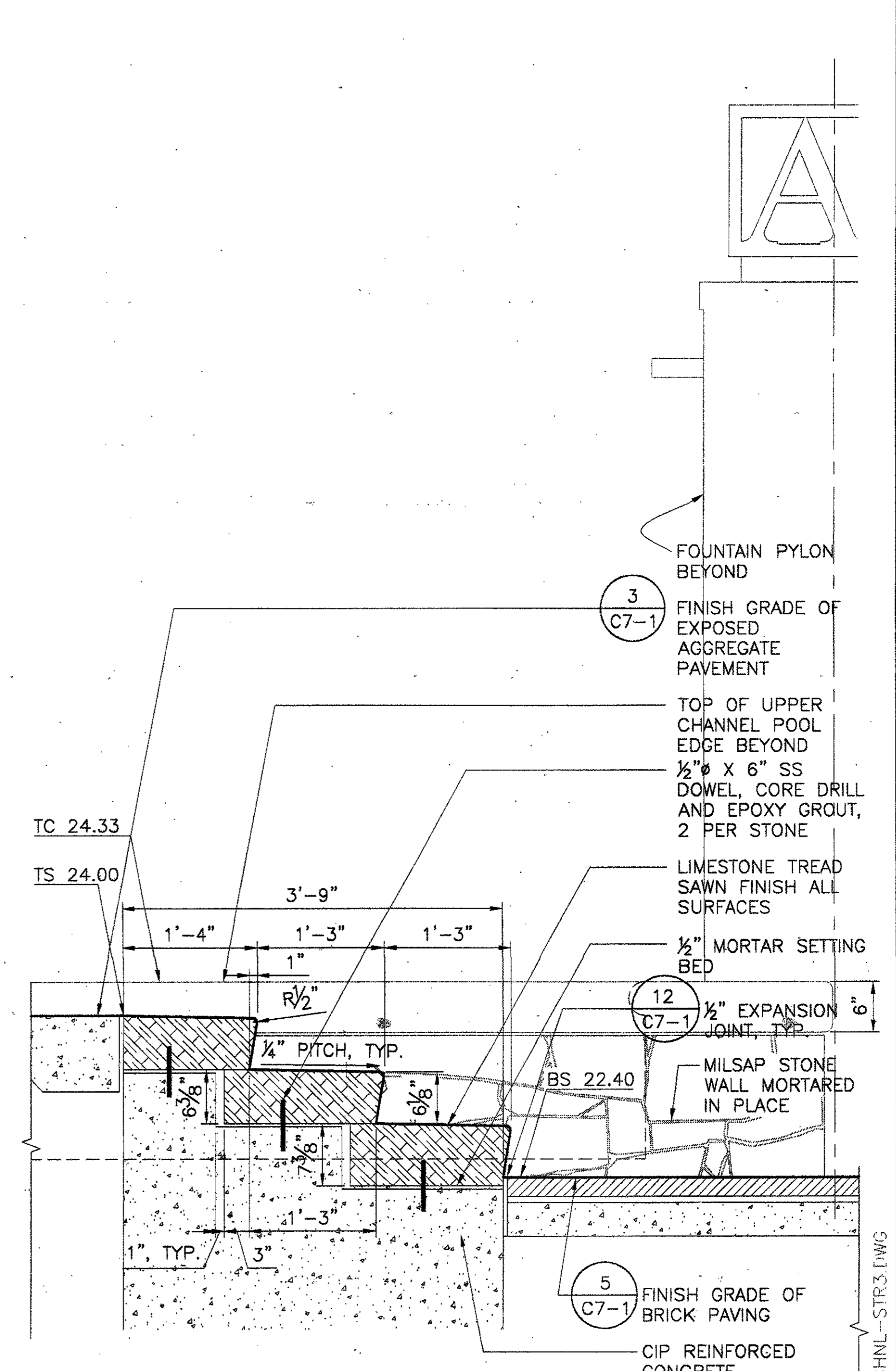
6 FOUNTAIN VAULT SECTION AT ACCESS HATCH
 SCALE: 1/2" = 1'-0"



3 FOUNTAIN PYLON PLAN SECTION
 SCALE: 1 1/2" = 1'-0"

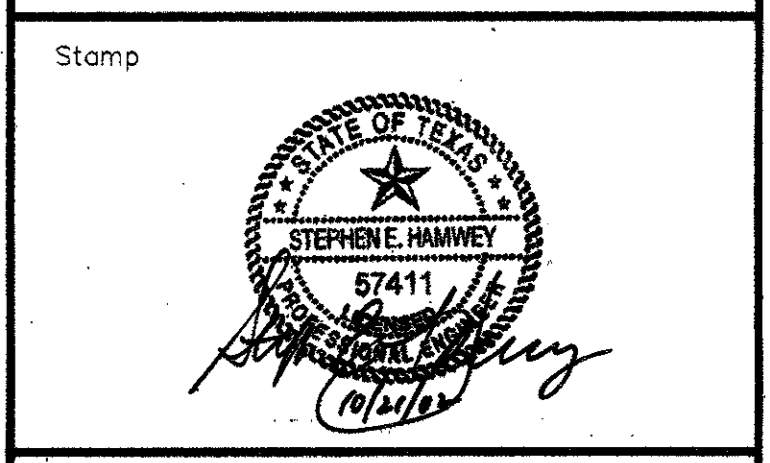


5 CHEEKWALL ELEVATION @ PLAZA FOUNTAIN STEPS
 SCALE: 1/4" = 1'-0"



1 WATER GARDEN STEPS 1 SECTION
 SCALE: 1" = 1'-0"

| | |
|-------------------------|----------|
| ADDENDUM #2 | 10-21-02 |
| ISSUED FOR CONSTRUCTION | 09-30-02 |
| No. Description | Date |



Project Title:
ADDISON ARTS & EVENTS DISTRICT
 ADDISON, TEXAS

Drawing Title:
SITE DETAILS - FOUNTAIN

Project No. 14516.00, Scale: AS NOTED
 Drawn By: CB
 Checked By: DC
 Approved By: SEH
 Date: September 30, 2002

Drawing No. **C7-10**