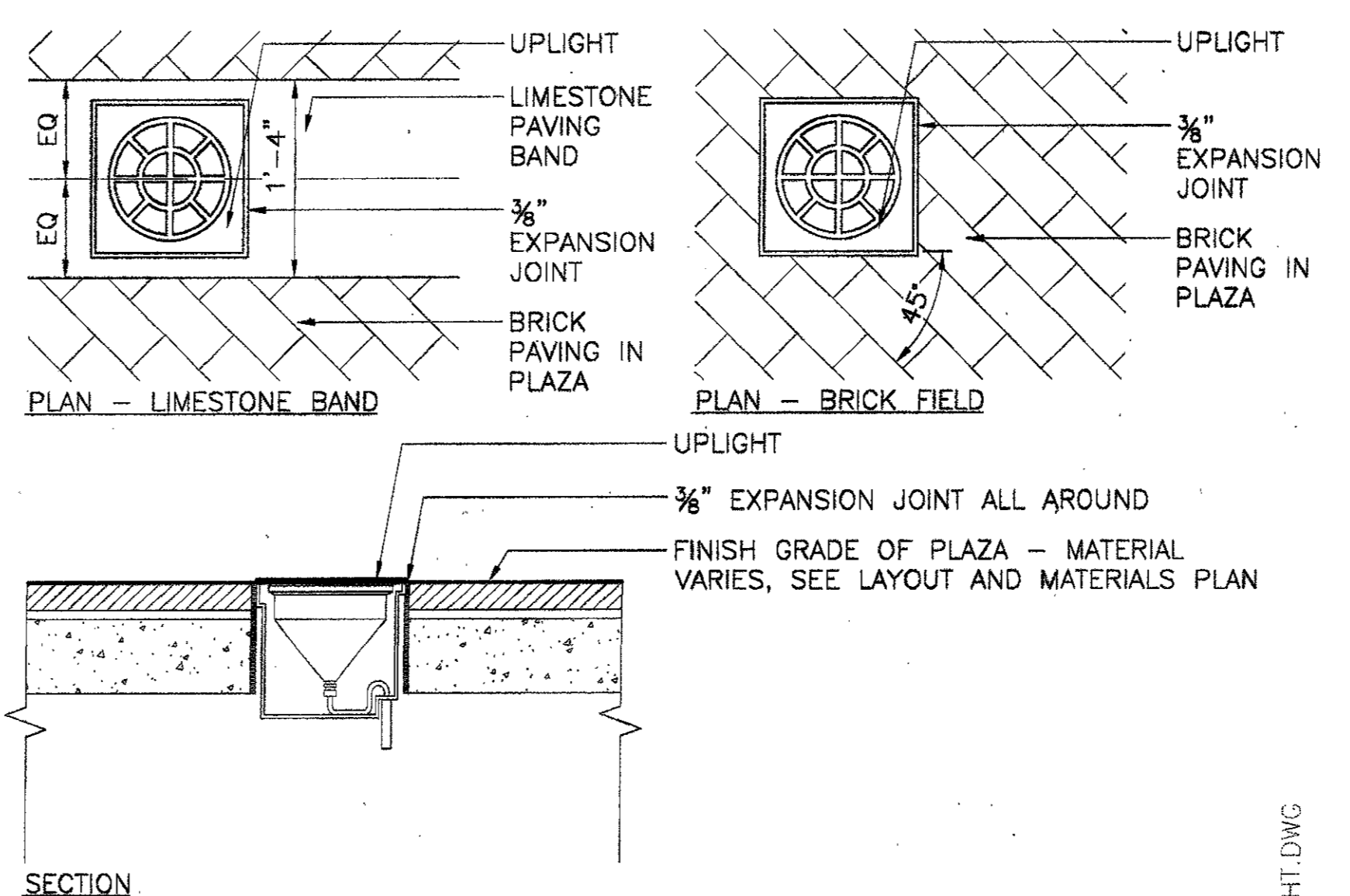
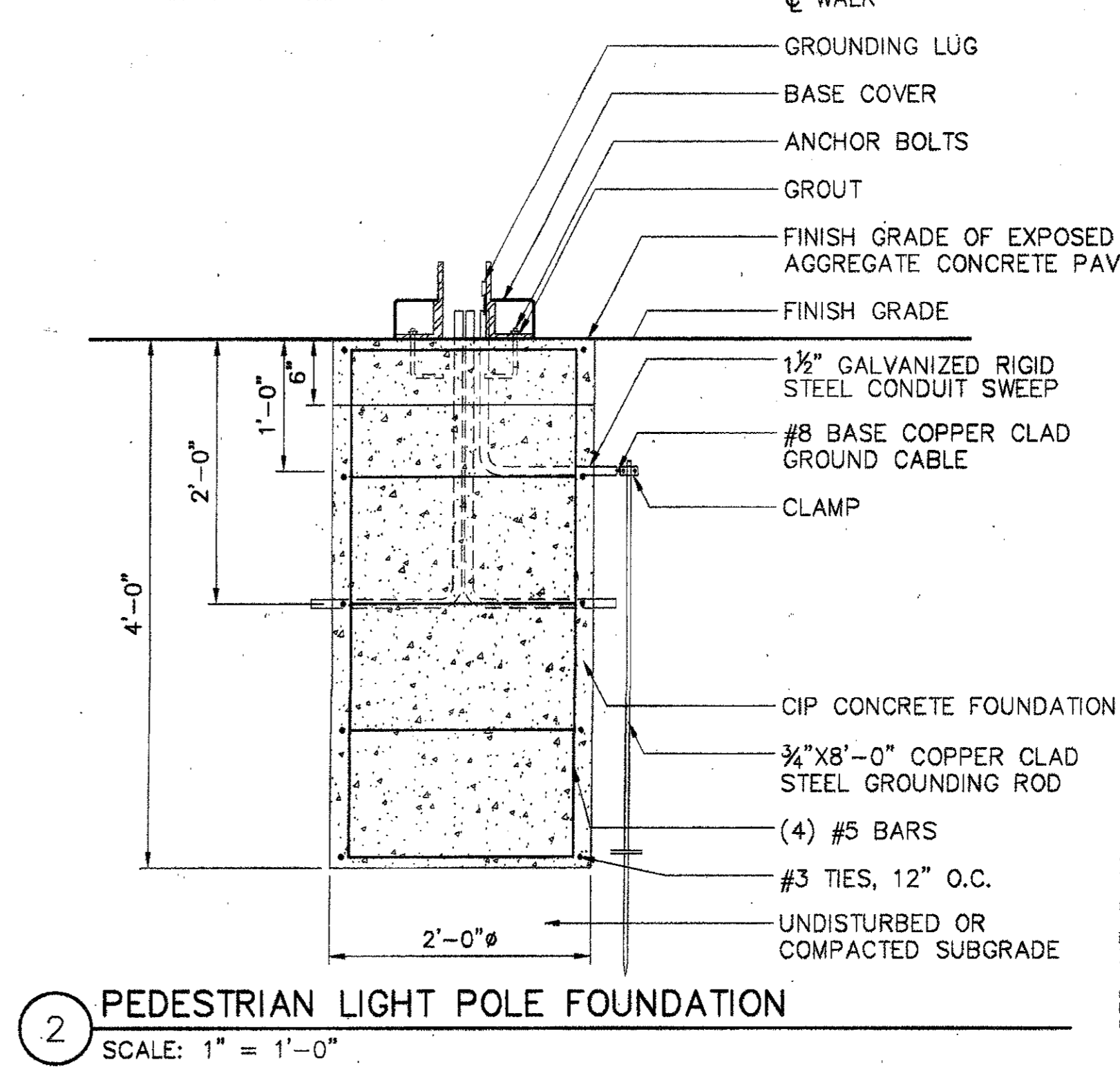
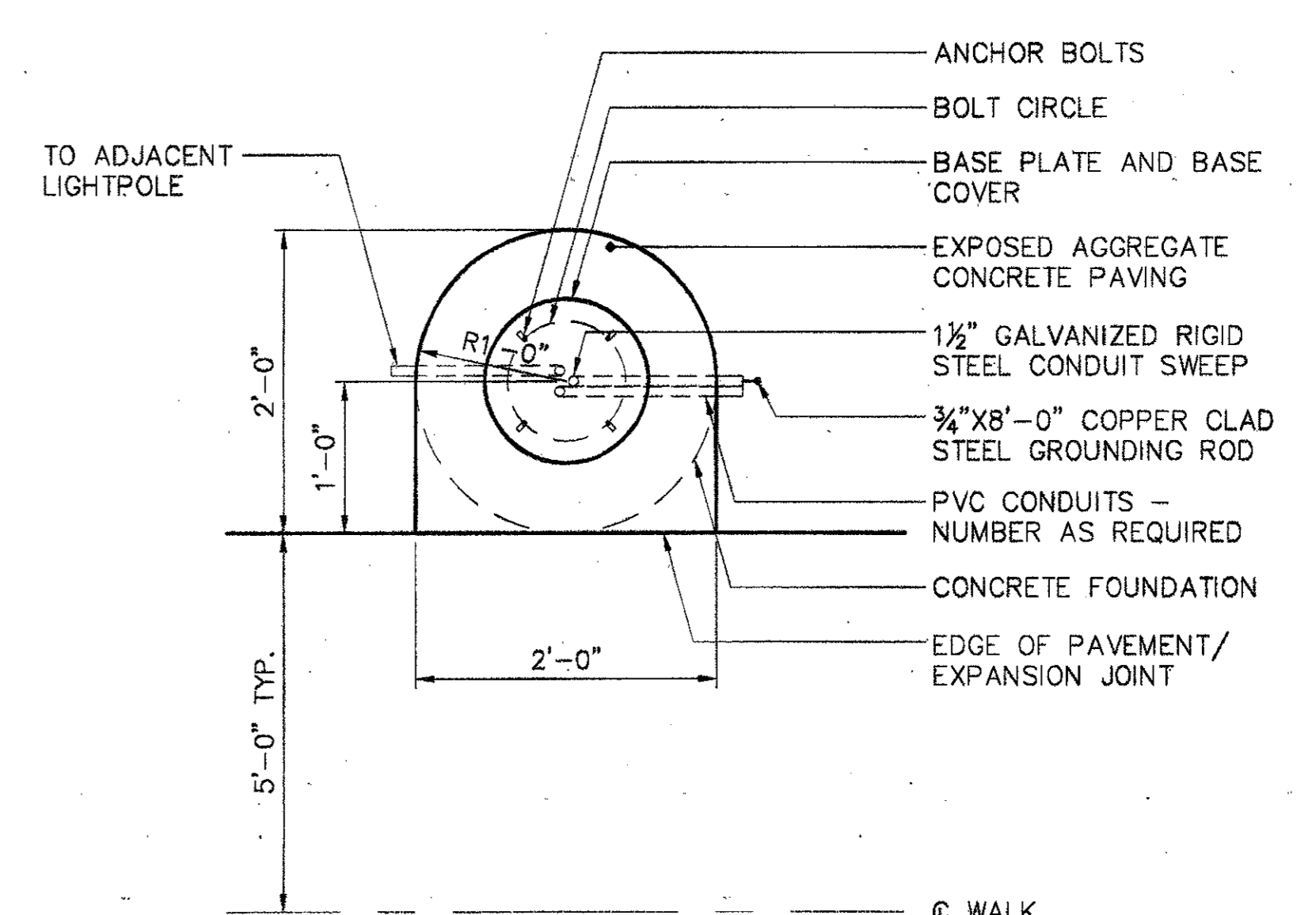


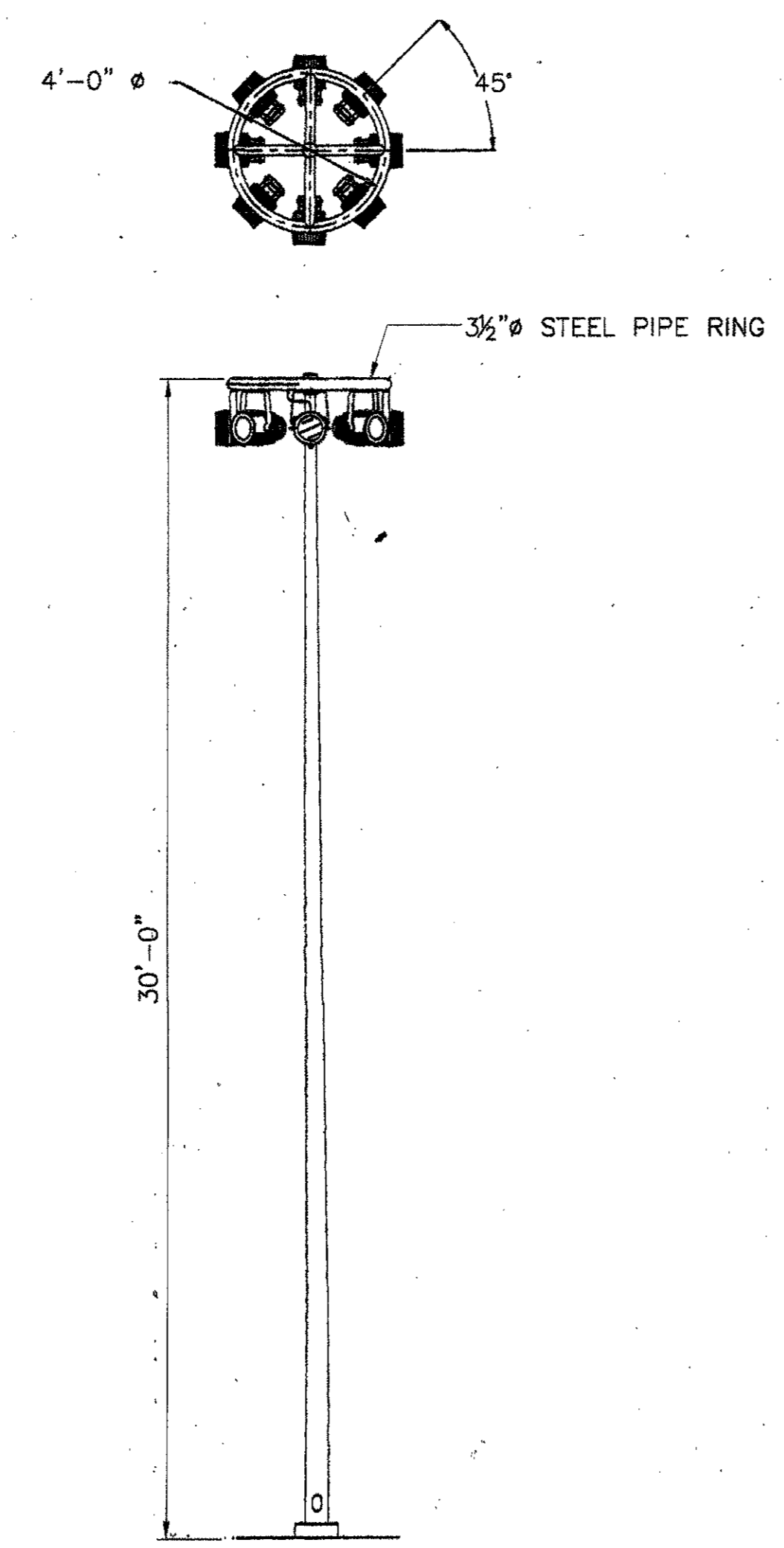
5 GARDEN LIGHT BASE
 SCALE: 1" = 1'-0"



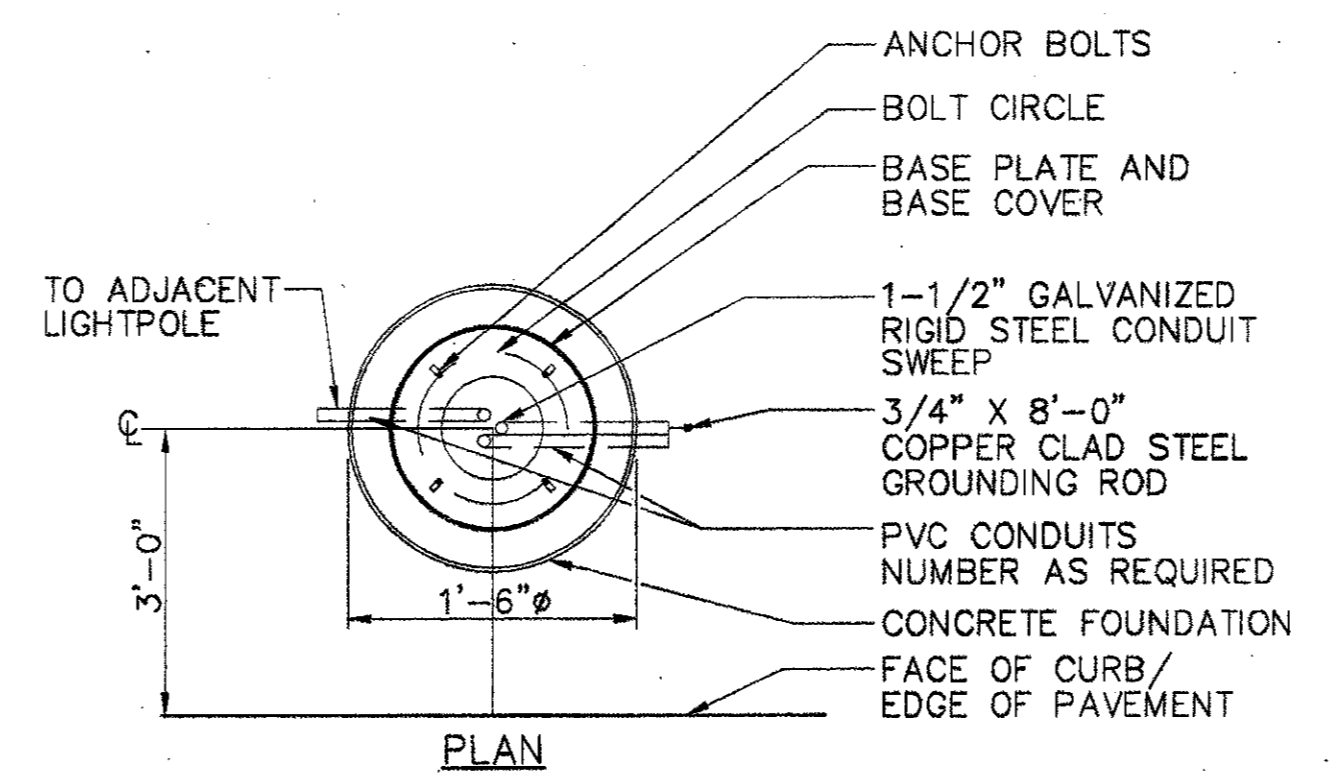
4 PLAZA FOUNTAIN UPLIGHT
 SCALE: 1" = 1'-0"



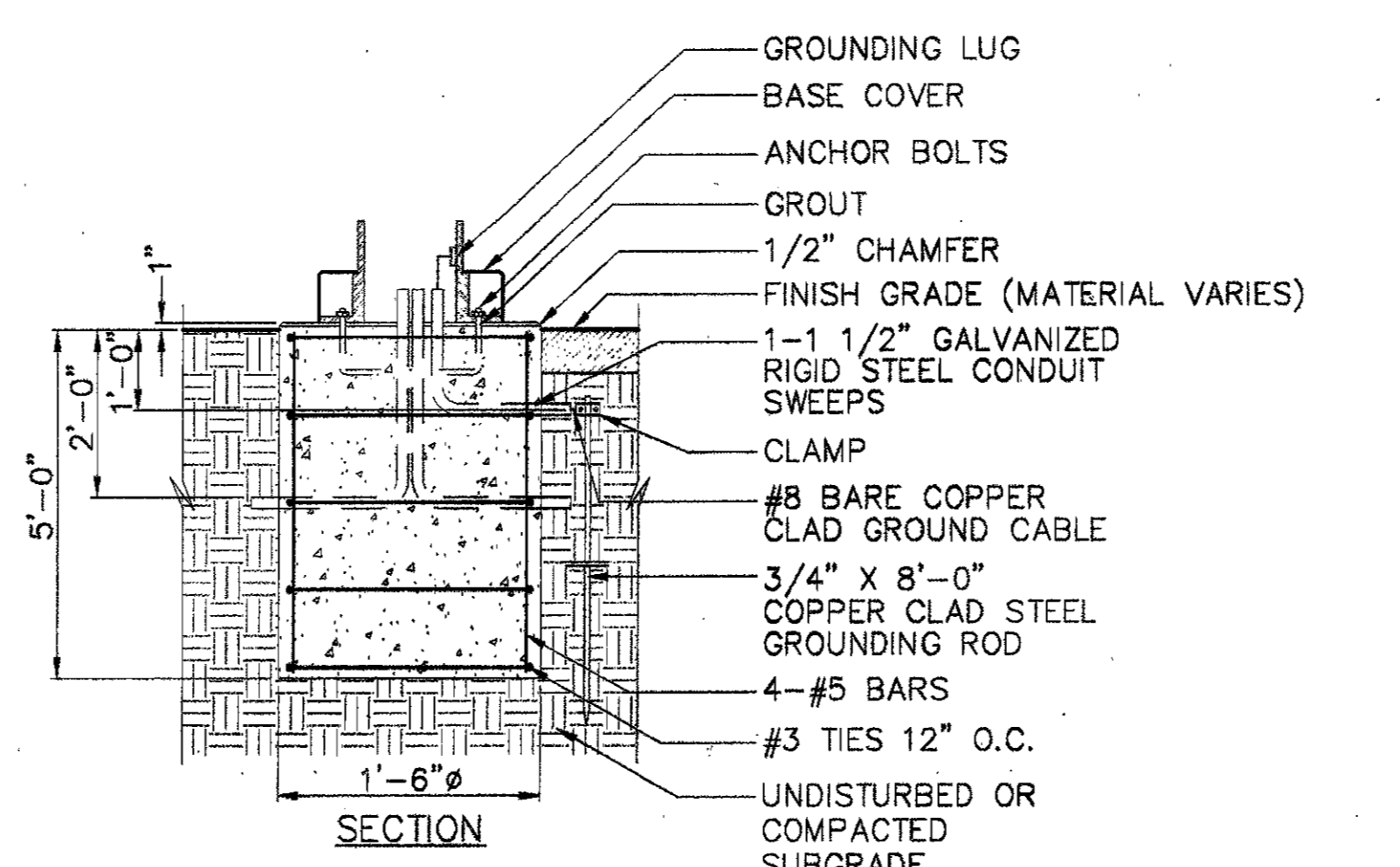
2 PEDESTRIAN LIGHT POLE FOUNDATION
 SCALE: 1" = 1'-0"



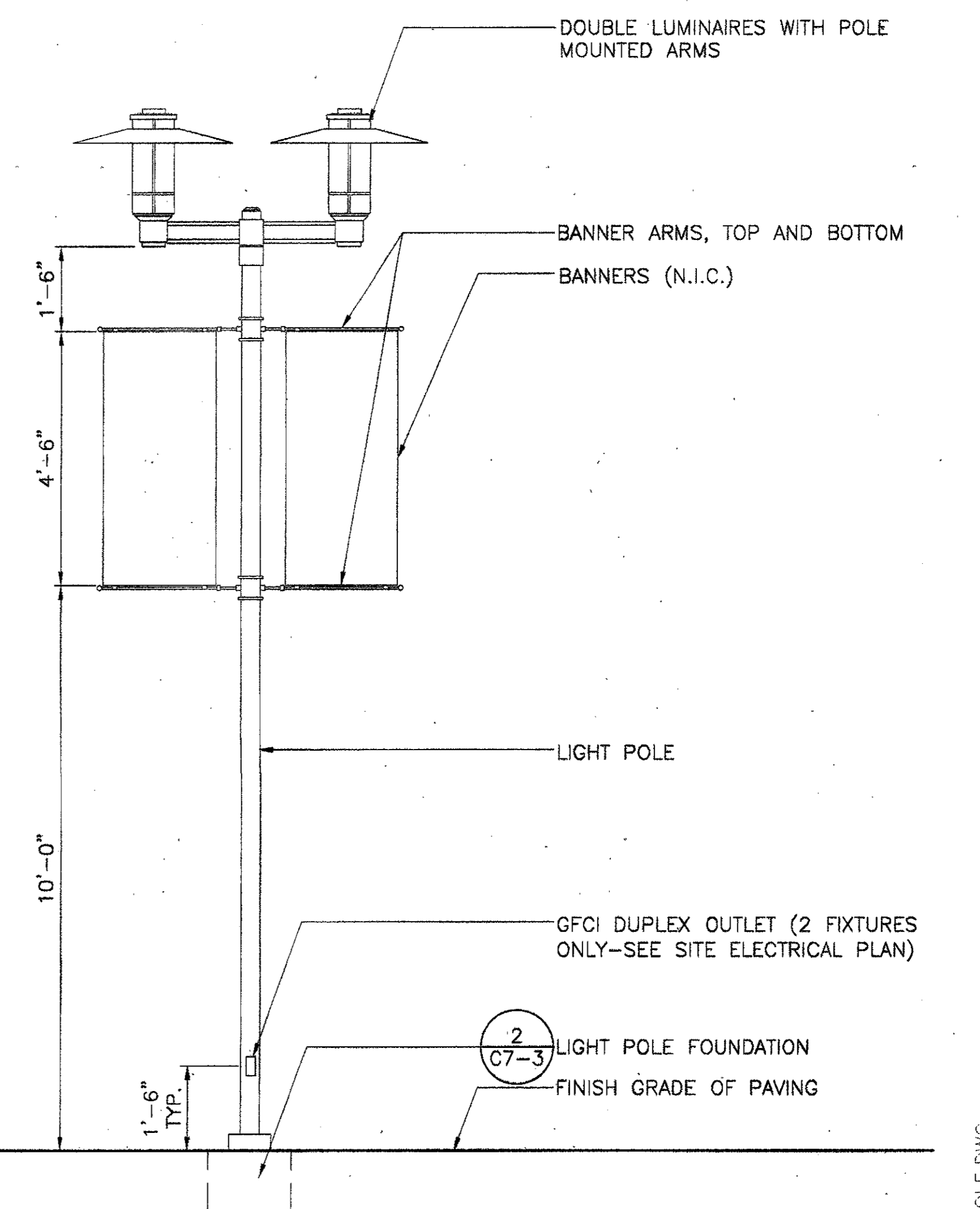
5 30' POLE WITH (8) 1000W FIXTURES
 SCALE: NONE



NOTE:
 FOUNDATIONS FOR STREET LIGHTS ON ADDISON
 CIRCLE DRIVE SHALL BE 1'-6" SQUARE.

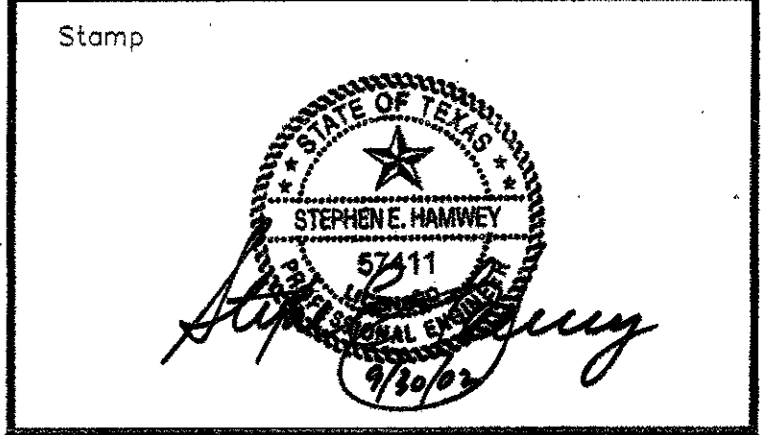


3 TYPICAL LIGHT POLE FOUNDATION
 SCALE: NONE



1 DOUBLE LIGHT POLE WITH BANNERS
 SCALE: 1/2" = 1'-0"

ISSUED FOR CONSTRUCTION	09-30-02
No. Description	Date
DWG ISSUE & REVISION HISTORY	



Project Title:
ADDISON ARTS & EVENTS DISTRICT
 ADDISON, TEXAS

Drawing Title:
SITE DETAILS - LIGHTING

Project No. 14516.00 Scale: AS NOTED
 Drawn By: CB
 Checked By: DC
 Approved By: SEH
 Date: September 30, 2002

Drawing No. **C7-3**