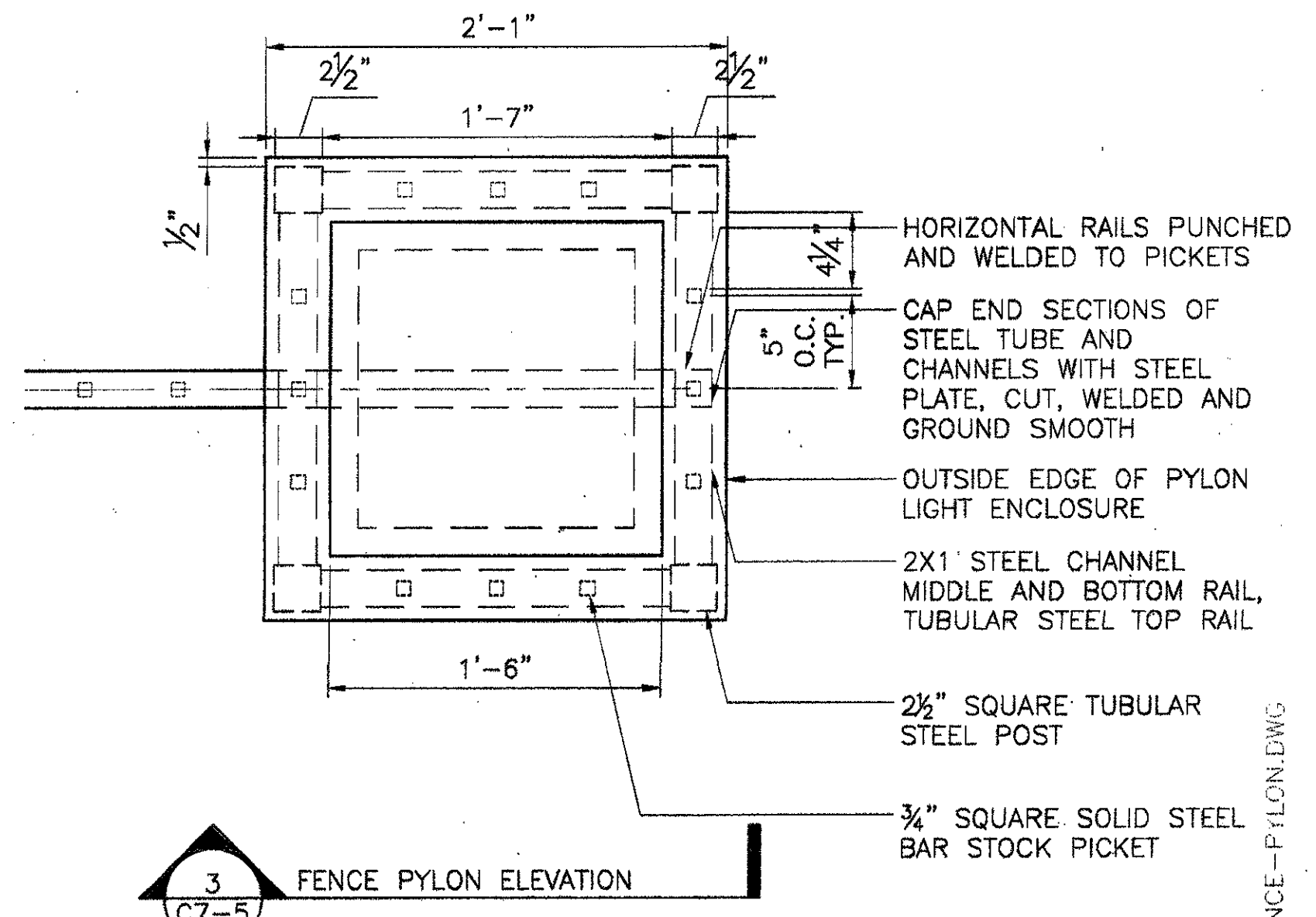
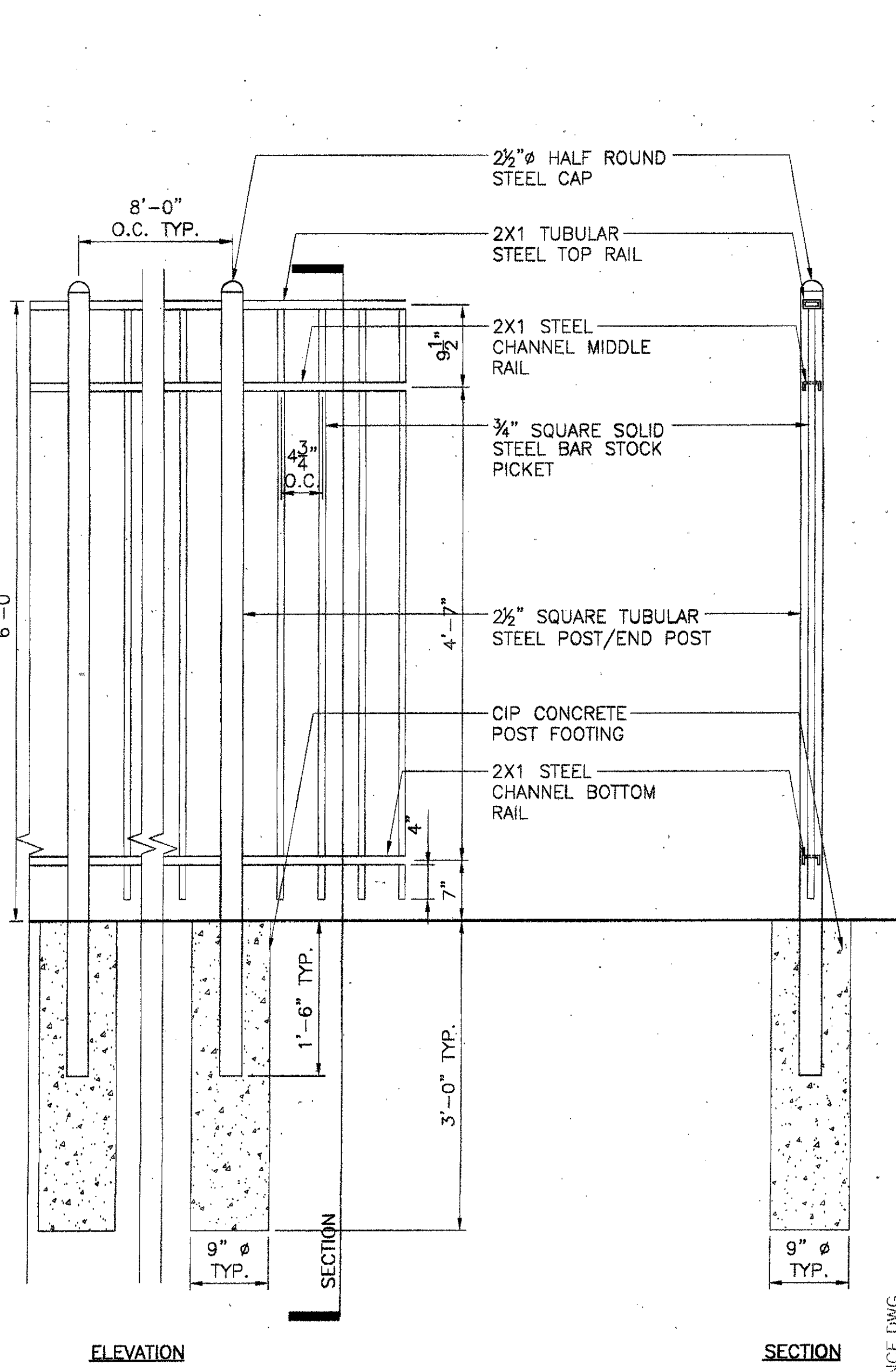


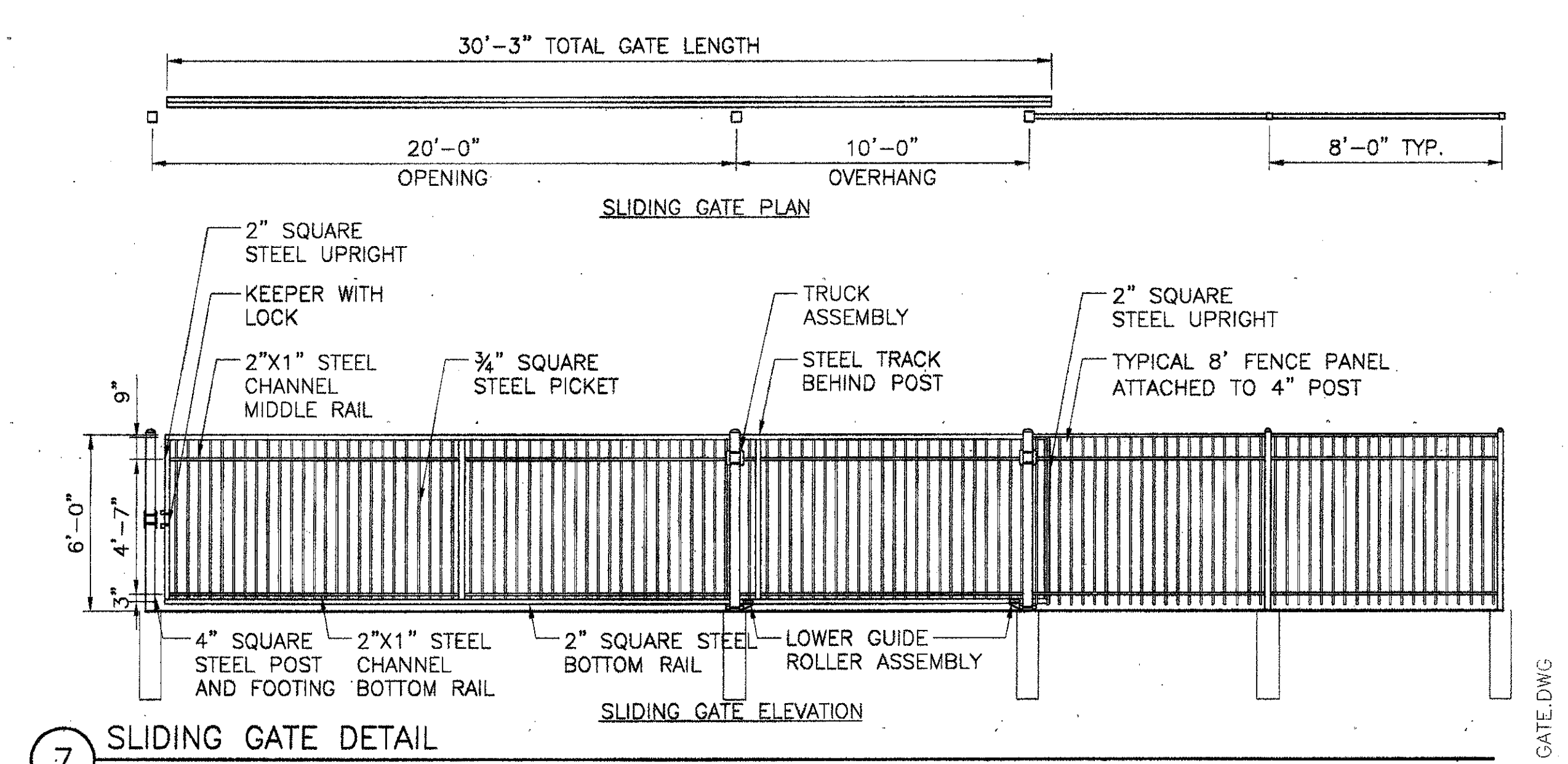
5 FENCE PYLON LIGHT DETAIL
 SCALE: 1 1/2" = 1'-0"



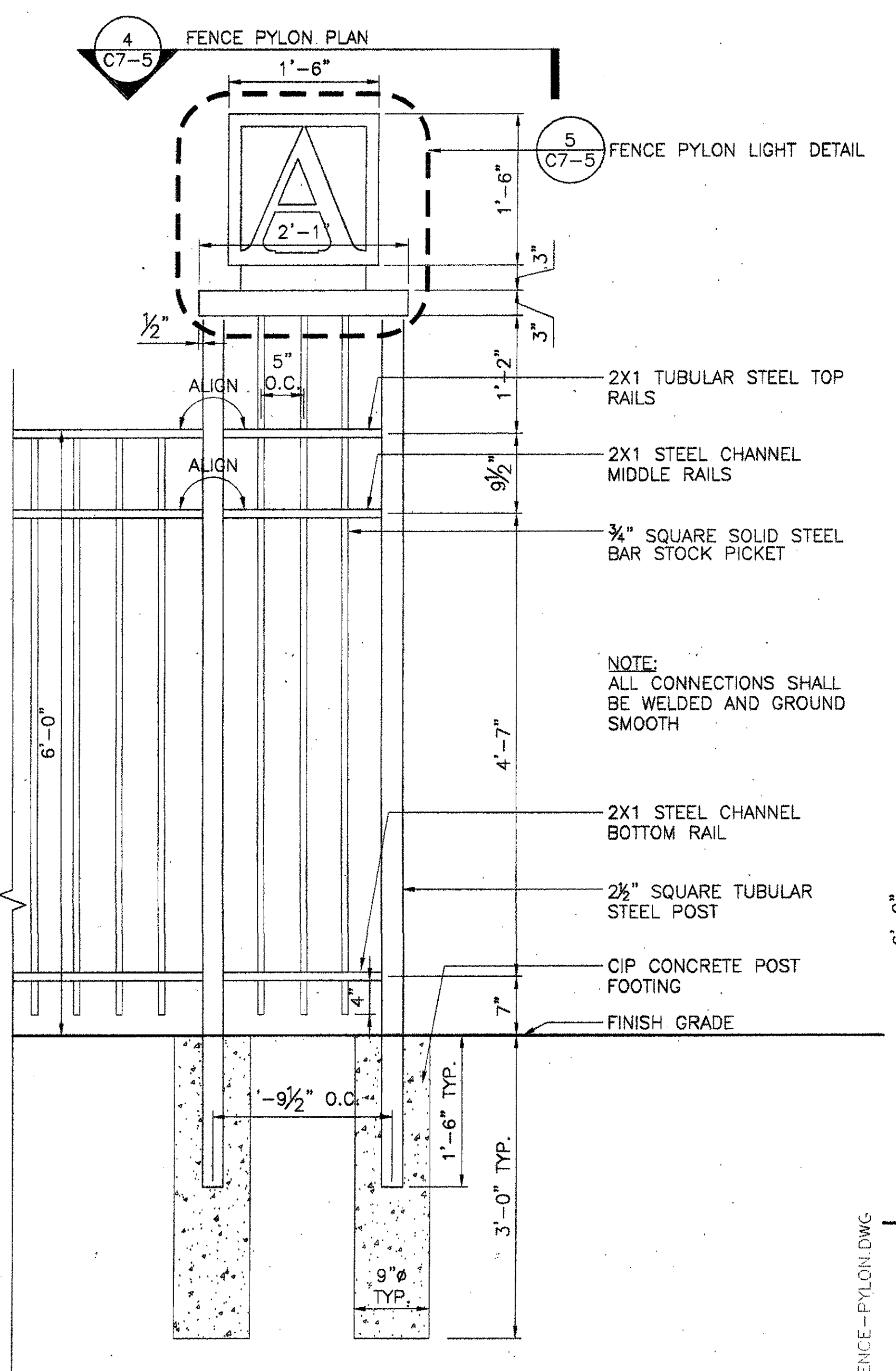
4 FENCE PYLON PLAN
 SCALE: 1 1/2" = 1'-0"



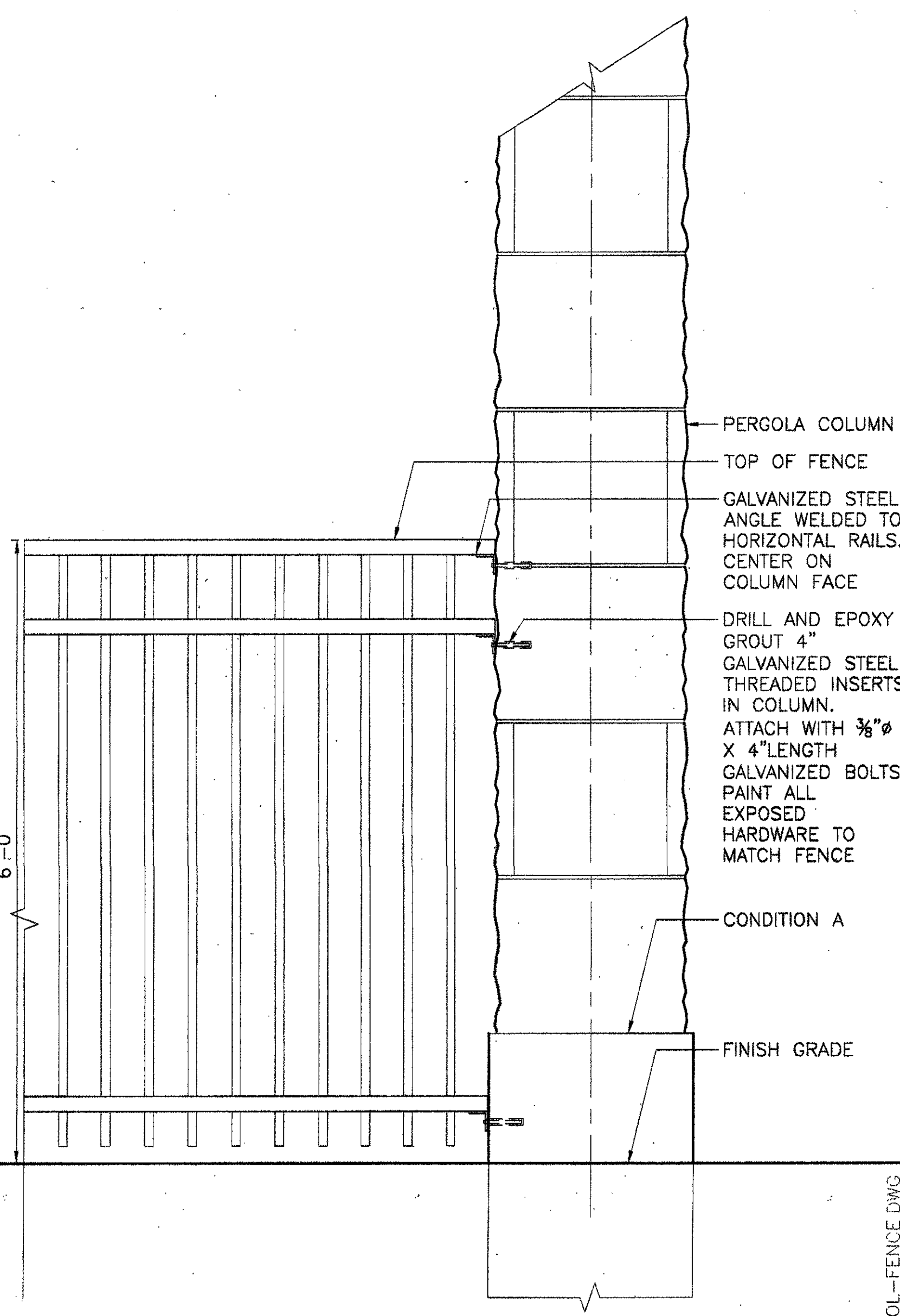
2 FENCE ELEVATION AND SECTION, TYPICAL
 SCALE: 1" = 1'-0"



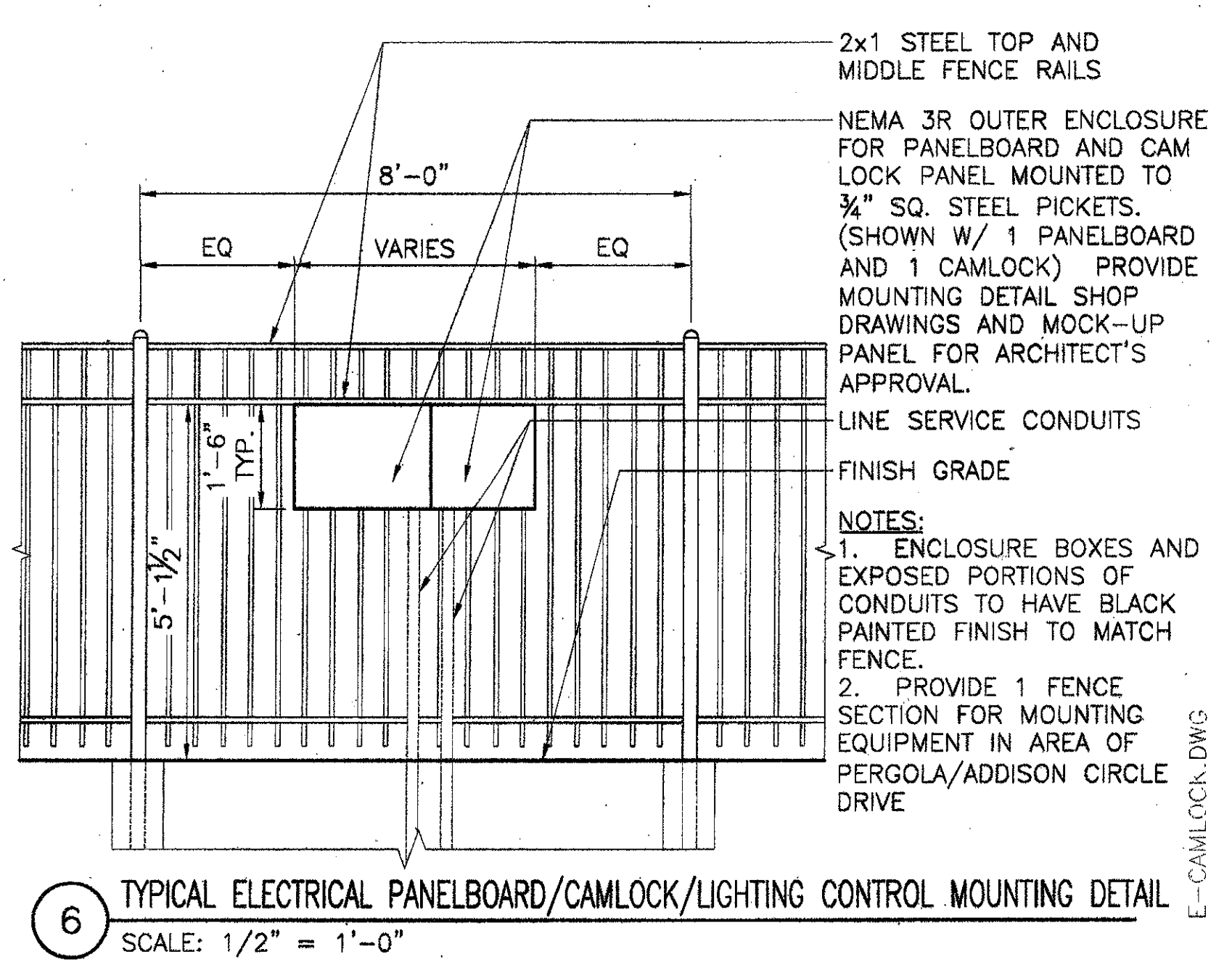
7 SLIDING GATE DETAIL
 SCALE: 1/4" = 1'-0"



3 FENCE PYLON ELEVATION
 SCALE: 1" = 1'-0"

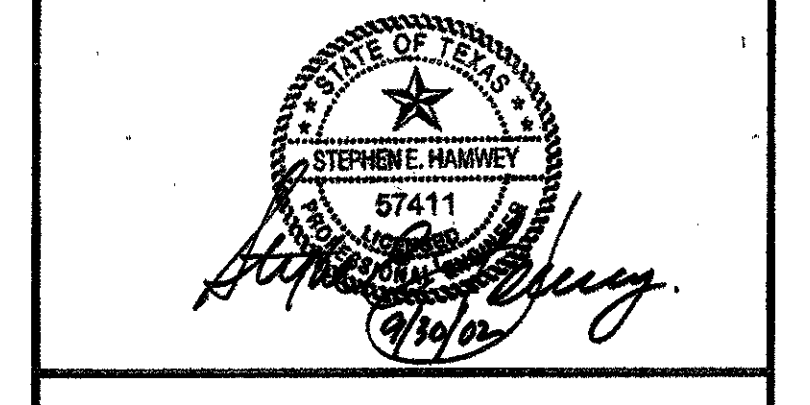


1 FENCE/PERGOLA COLUMN ELEVATION
 SCALE: 1" = 1'-0"



6 TYPICAL ELECTRICAL PANELBOARD/CAMLOCK/LIGHTING CONTROL MOUNTING DETAIL
 SCALE: 1/2" = 1'-0"

ISSUED FOR CONSTRUCTION	09-30-02
No. Description	Date
DWG ISSUE & REVISION HISTORY	



Project Title:
ADDISON ARTS & EVENTS DISTRICT
 ADDISON, TEXAS

Drawing Title:
SITE DETAILS - FENCES

Project No. 14516.00 Scale: AS NOTED
 Drawn By: CB
 Checked By: DC
 Approved By: SEH
 Date: September 30, 2002

Drawing No. **C7-5**