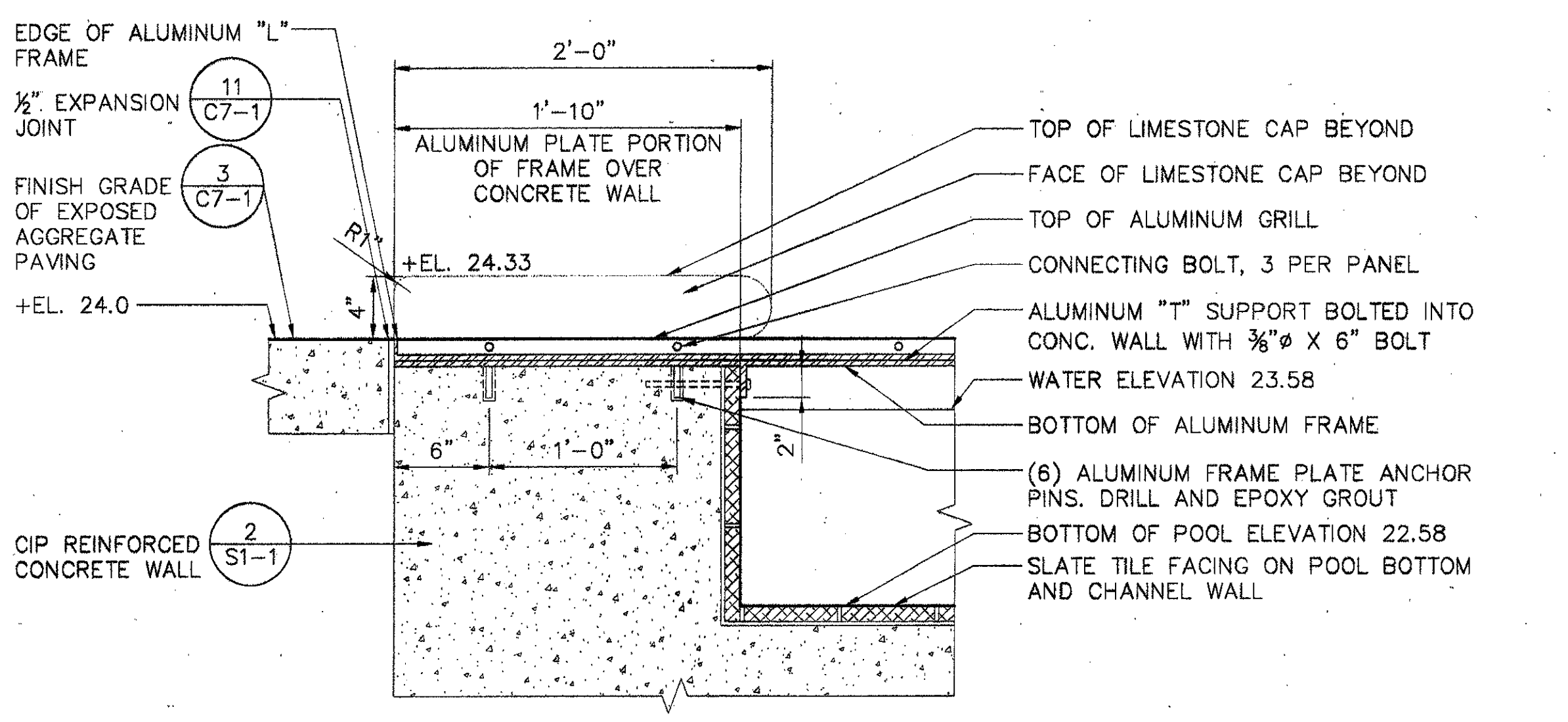
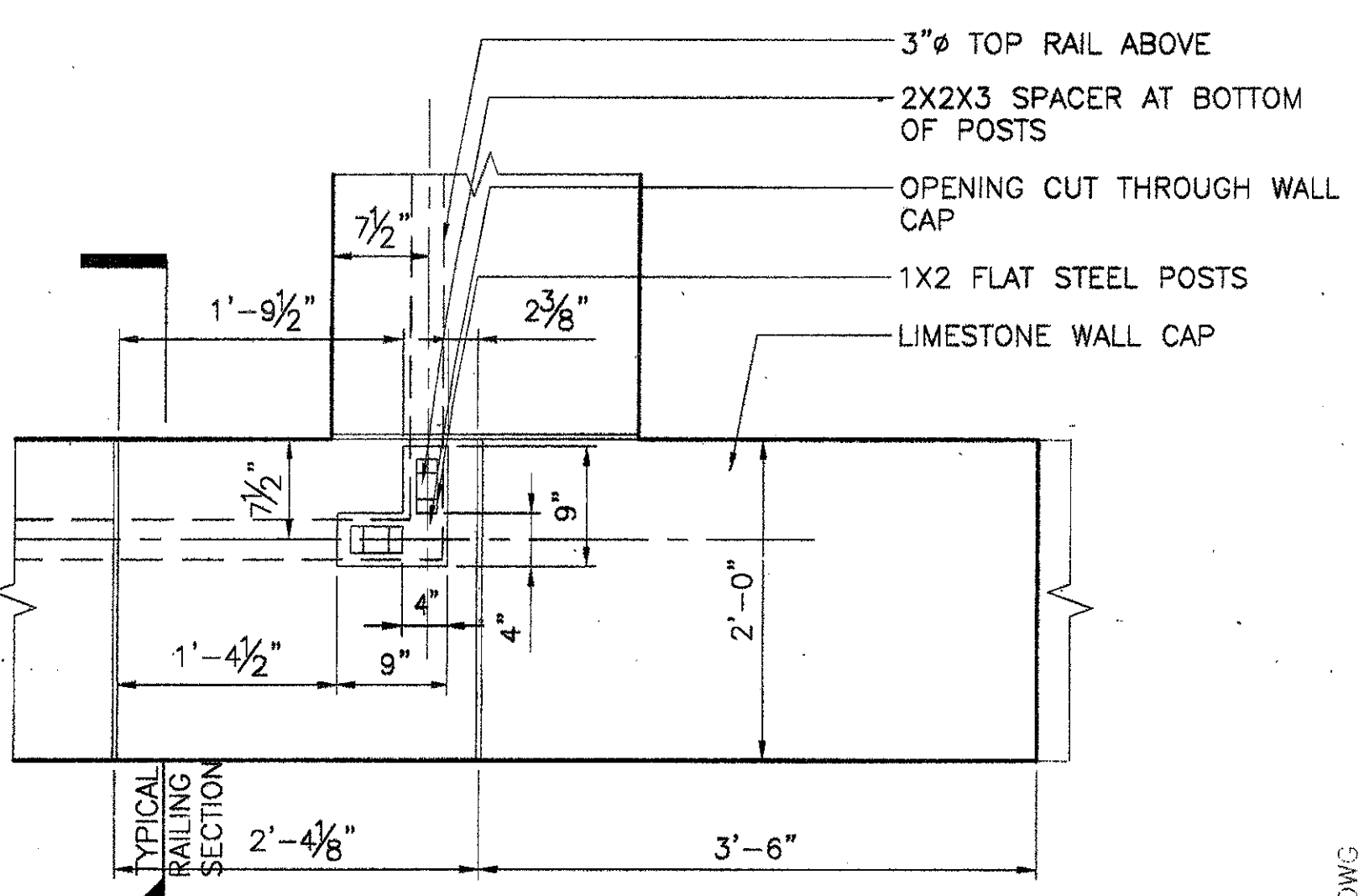


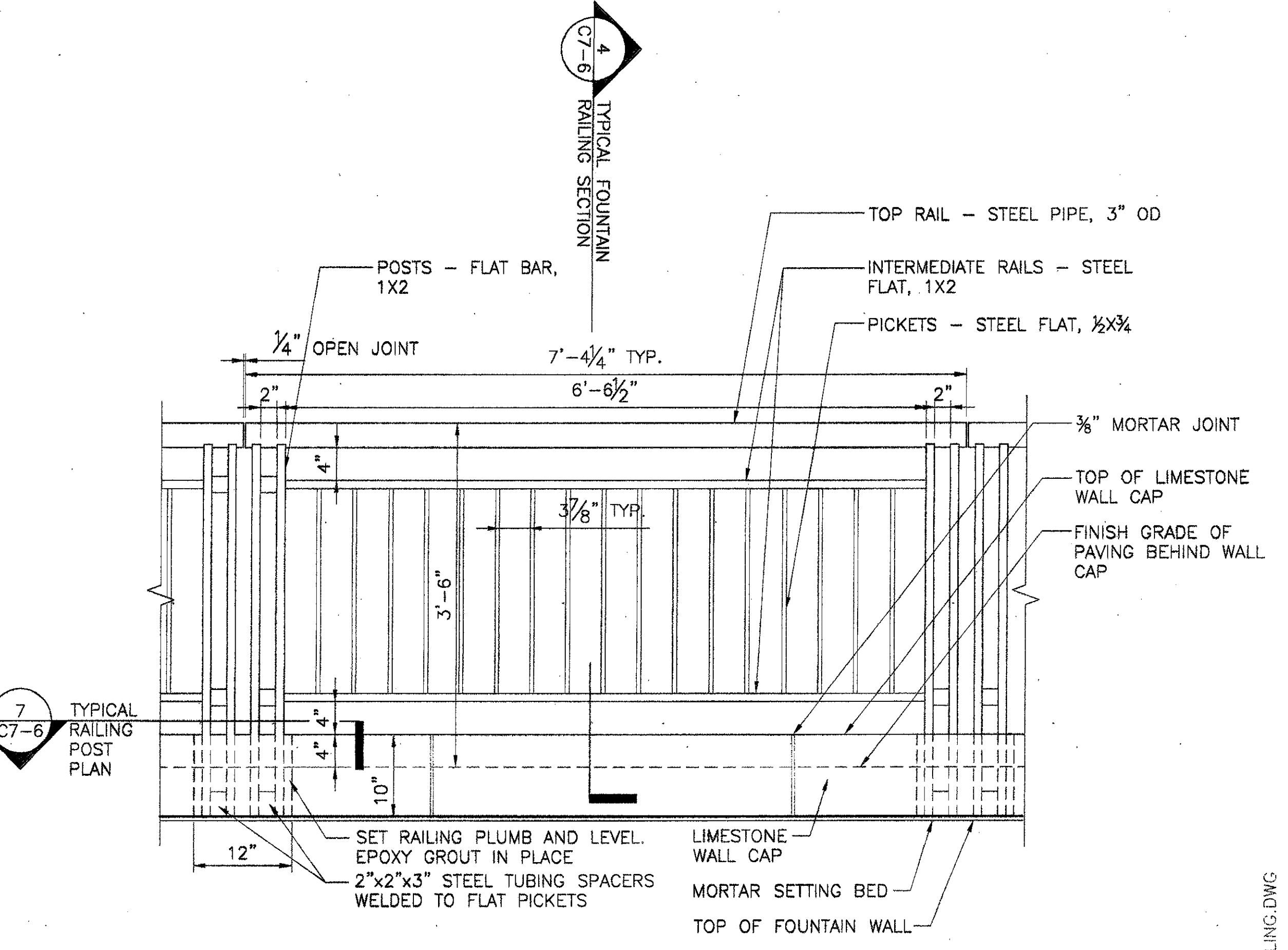
6 REMOVABLE RAILING POST
 SCALE: 1 1/2" = 1'-0"



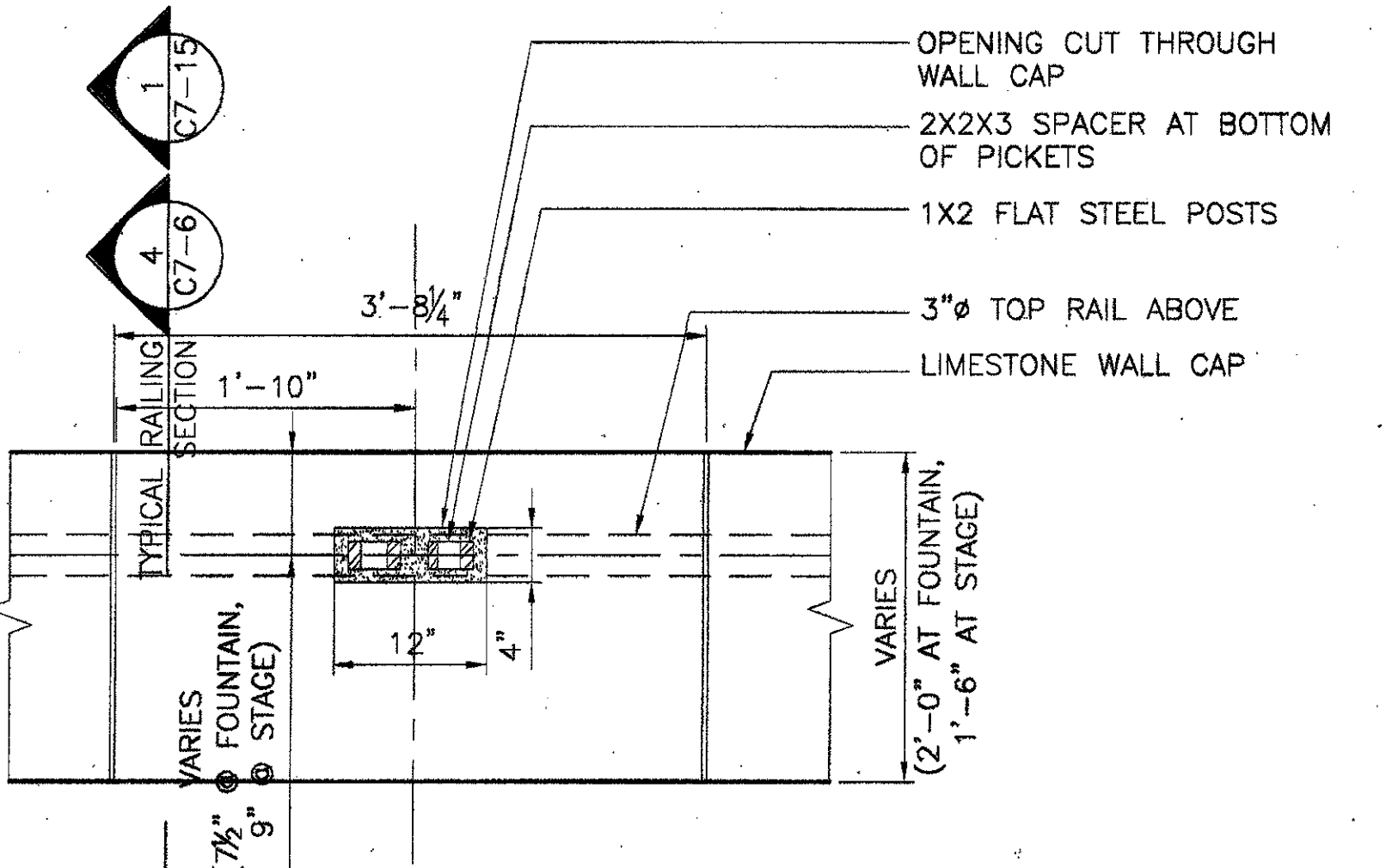
3 METAL GRILL BRIDGE SECTION
 SCALE: 1 1/2" = 1'-0"



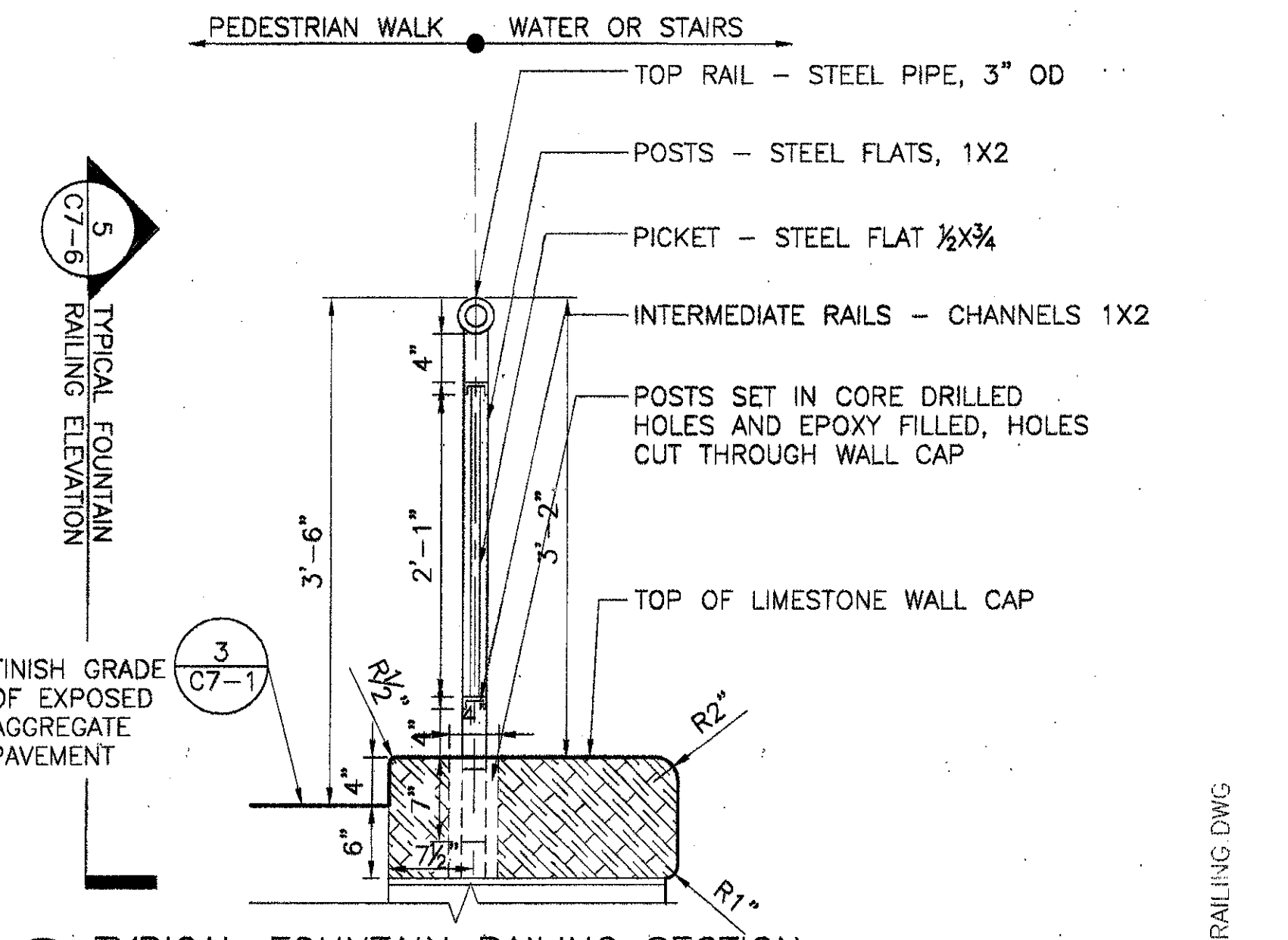
8 RAILING POST PLAN - CORNER
 SCALE: 1" = 1'-0"



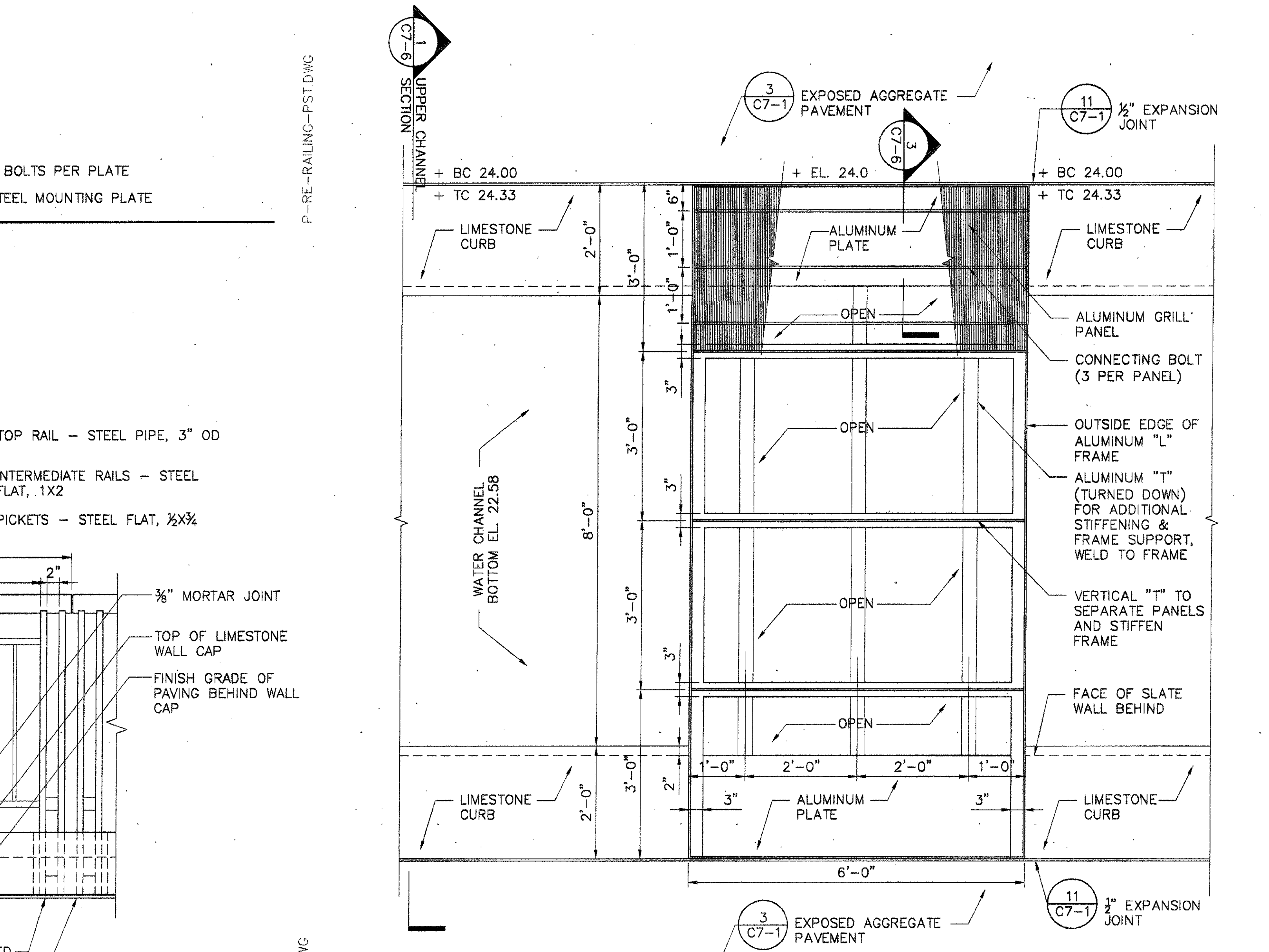
5 TYPICAL RAILING ELEVATION AT FOUNTAIN
 SCALE: 1" = 1'-0"



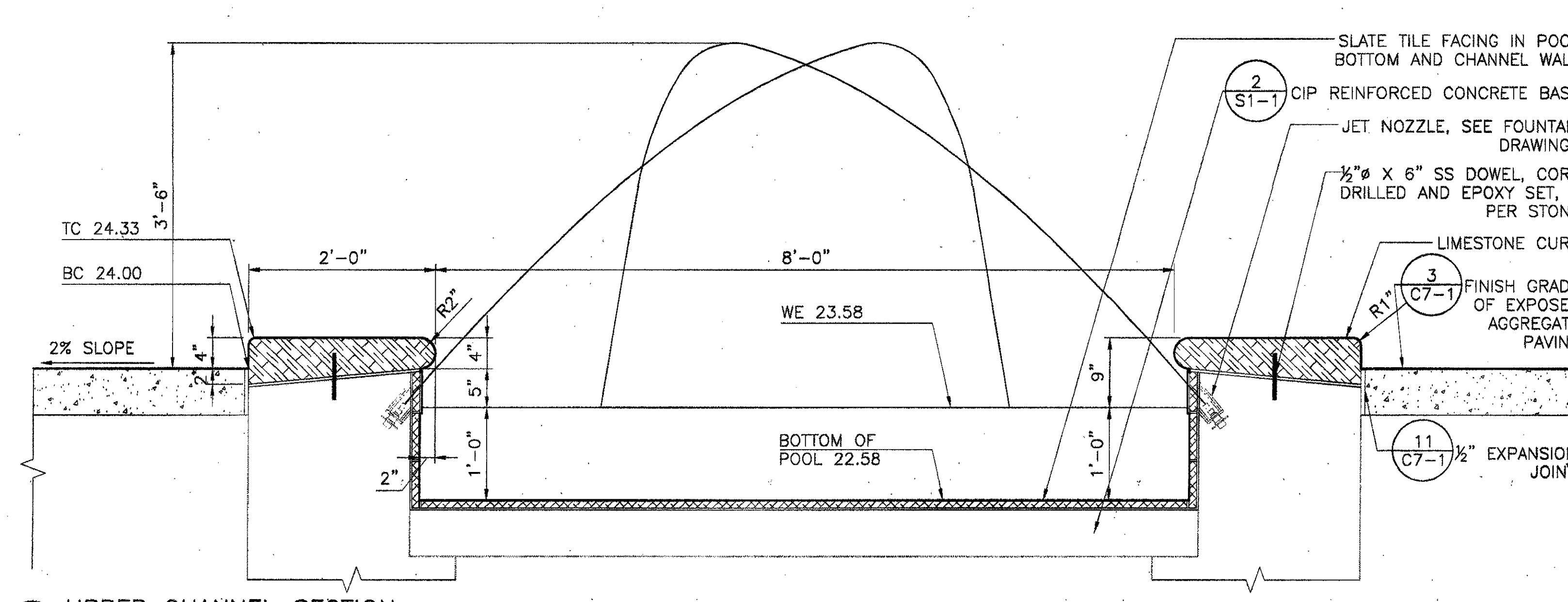
7 TYPICAL RAILING POST PLAN
 SCALE: 1" = 1'-0"



4 TYPICAL FOUNTAIN RAILING SECTION
 SCALE: 1" = 1'-0"



2 TYPICAL METAL GRILL BRIDGE PLAN
 SCALE: 3/4" = 1'-0"



1 UPPER CHANNEL SECTION
 SCALE: 1" = 1'-0"

S-BRIDGE.DWG

P-RE-RAILING-PST.DWG

E-RAILING.DWG

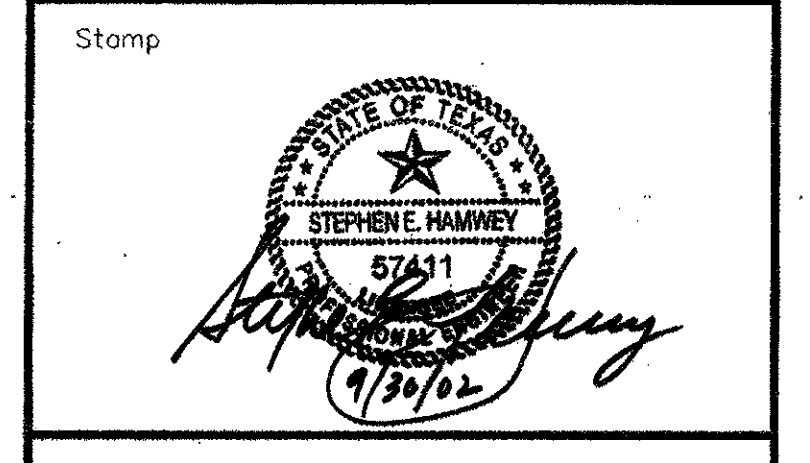
P-RAILINGS.DWG

P-RAILING.DWG

S-RAILING.DWG

S-UBRIDGE.DWG

ISSUED FOR CONSTRUCTION	09-30-02
No. Description	Date
DWG ISSUE & REVISION HISTORY	



Project Title:
ADDISON ARTS & EVENTS DISTRICT
 ADDISON, TEXAS

Drawing Title:
SITE DETAILS - UPPER CHANNEL AND RAILING

Project No. 14516.00 Scale: AS NOTED
 Drawn By: CB
 Checked By: DC
 Approved By: SEH
 Date: September 30, 2002

Drawing No. **C7-6**