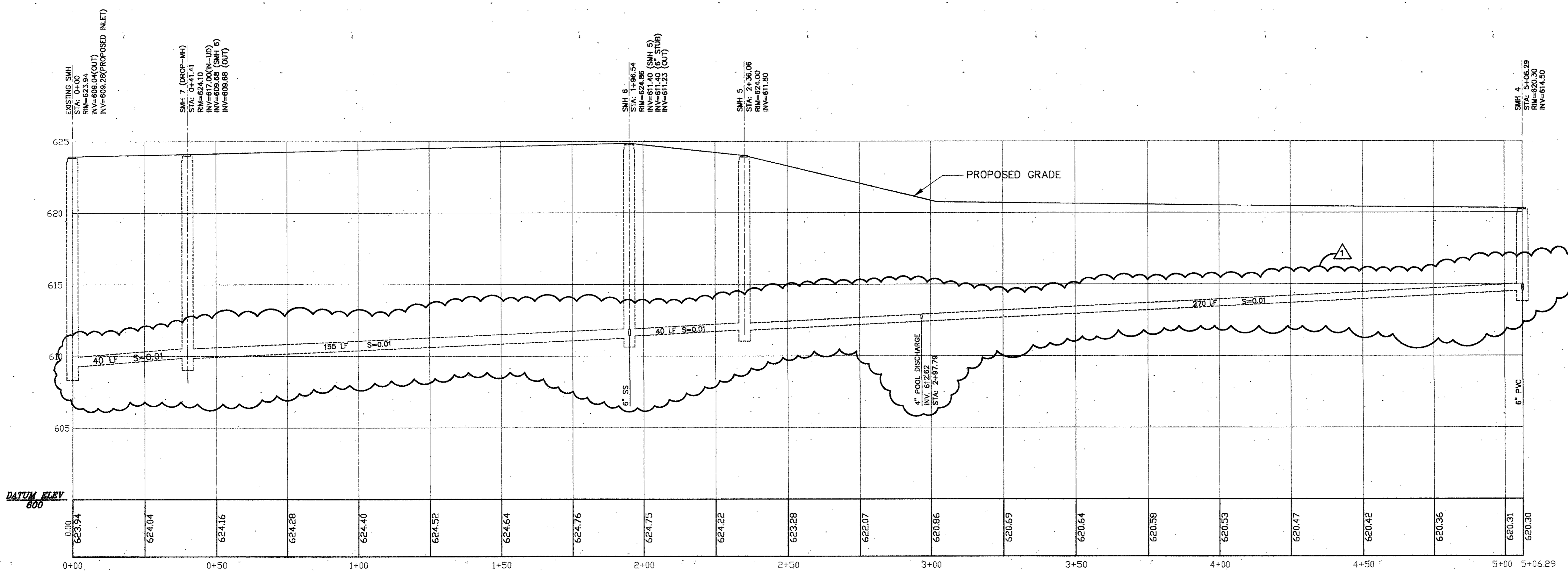


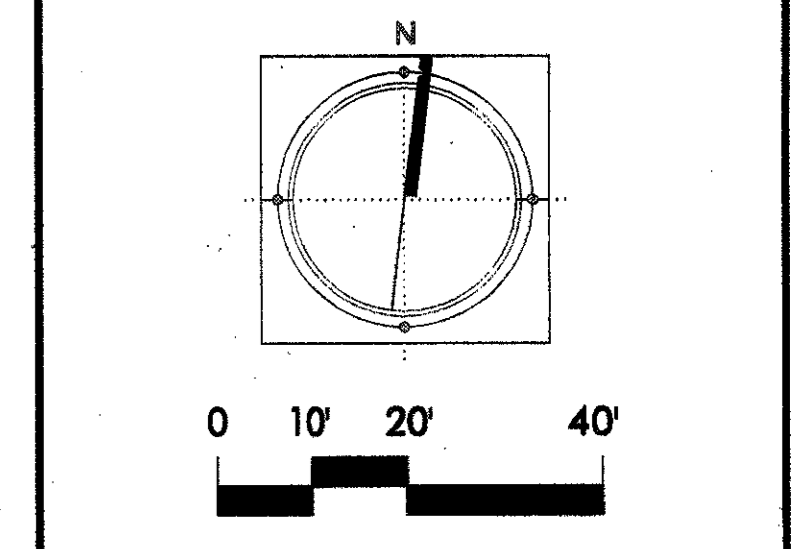
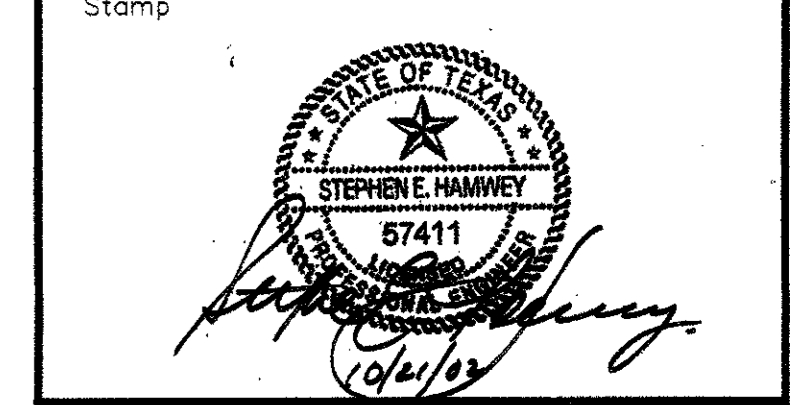
SEWER PLAN VIEW
 SCALE: 1" = 20'-0"



SEWER PROFILE
 SCALE: HORIZONTAL: 1" = 20'-0"
 VERTICAL: 1" = 4'-0"

ADDENDUM #2	10-21-02	
ISSUED FOR CONSTRUCTION	09-30-02	
No.	Description	Date

DWG ISSUE & REVISION HISTORY



Project Title:
ADDISON ARTS & EVENTS DISTRICT
 ADDISON, TEXAS

Drawing Title:
SEWER PROFILE

Project No. 14516.00 Scale: AS NOTED
 Drawn By: JL
 Checked By: TC
 Approved By: SEH
 Date: September 30, 2002

Drawing No. **C8-2**