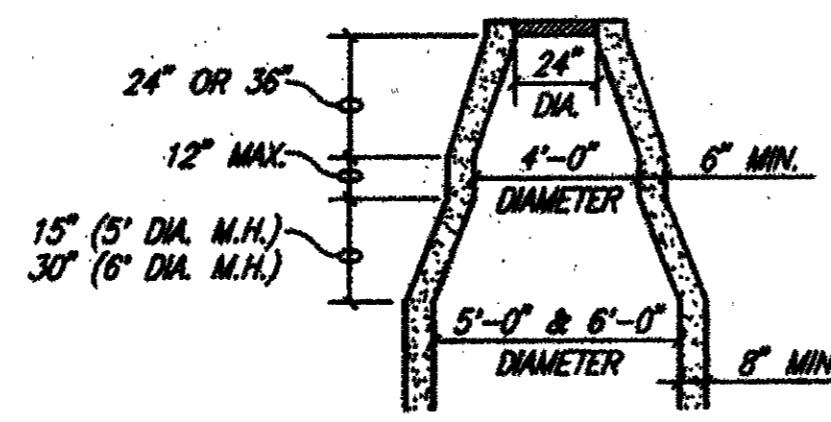
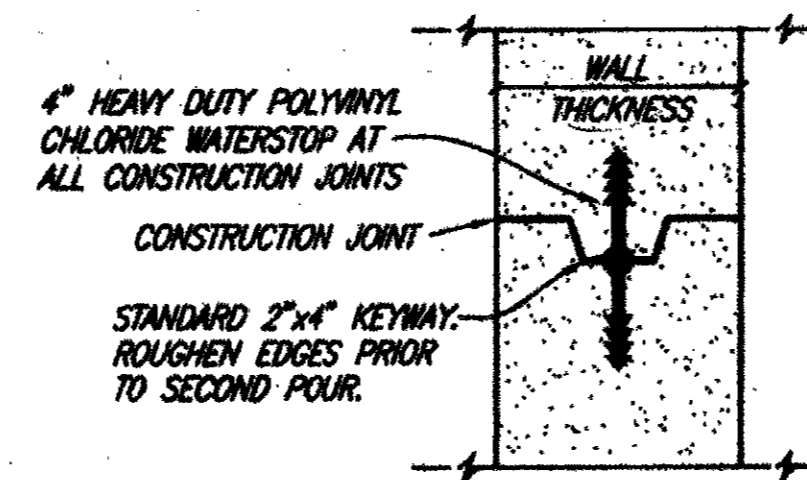


SANITARY SEWER NOTES:

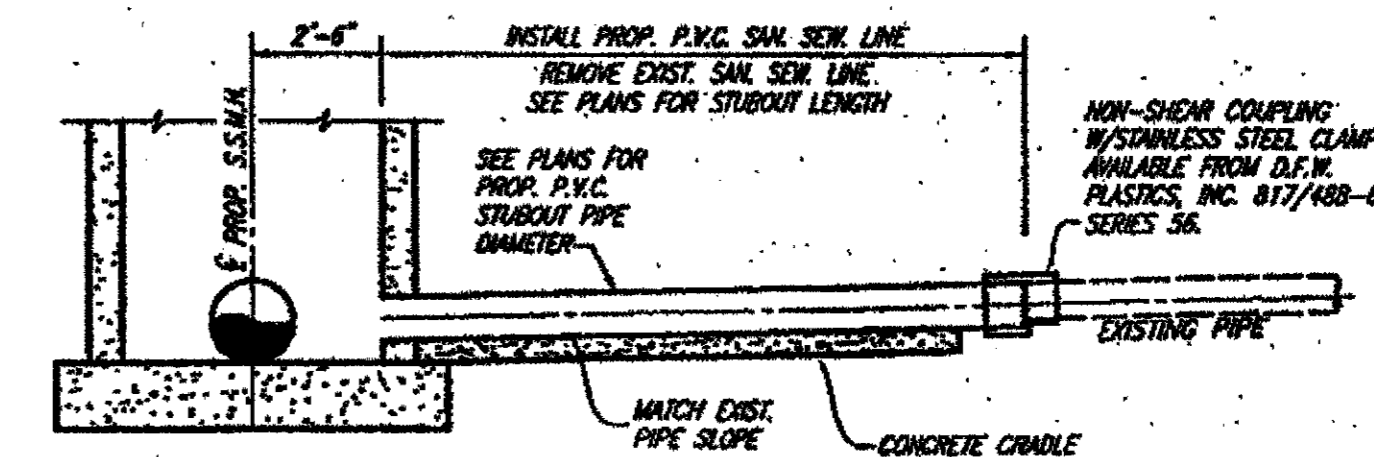
- PIPE 6 INCHES THROUGH 15 INCHES SHALL BE IN ACCORDANCE WITH ASTM D3034 WITH A MINIMUM SDR 35 OR ASTM D3350 AND DE 345434 C.
- MANHOLES SHALL BE CAST IN PLACE. ALL MANHOLES SHALL BE WATER TIGHT. ALL RINGS AND COVERS SHALL INCLUDE AN INTERNAL CHIMNEY SEAL.
- ALL PIPE OPENINGS IN MANHOLES SHALL INCLUDE COUPLINGS WITH "O" RING RUBBER GASKETS
- STUBBOUTS OUT OF MANHOLES SHALL BE FITTED WITH A STOPPER AND CAP. STUBBOUTS SHALL BE A MINIMUM OF 5 FEET FROM MANHOLE AND BE SUPPORTED BY A CONCRETE CRADLE.
- ALL DROP MANHOLES SHALL BE OF THE EXTERNAL TYPE.
- MANHOLES SHALL BE VENTED IN ACCORDANCE WITH TNRC REQUIREMENTS.
- ALL SANITARY SEWER PIPE SHALL BE TESTED (NCTCOG ITEM 6.7.2.) AFTER CONSTRUCTION. TESTING SHALL INCLUDE PRESSURE TESTING, MANDREL TEST (TNRC REQUIRED) AND COLOR TV INSPECTION. COLOR TV INSPECTION SHALL BE COMPLETED IN PRESENCE OF A CITY REPRESENTATIVE AND THE ORIGINAL VHS FORMATTED TAPE SHALL BE GIVEN TO THE CITY AT THE COMPLETION OF THE INSPECTION.
- MANHOLES SHALL BE VACUUM TESTED IN THE PRESENCE OF THE CITY REPRESENTATIVE.
- AT WHERE GRANULAR MATERIAL IS USED FOR EMBEDMENT, IN UTILITY TRENCHED, A CLAY PLUG IS RECOMMEND AS A REPLACEMENT FOR THE GRANULAR EMBEDMENT, AT THE LOCATION WHERE THE CITY LINE IS LOCATED, AT THE LOCATION WHERE THE UTILITY ENTERS THE STRUCTURE AND AT OTHER CONNECTIONS. THE INTENT IS TO STOP ANY FREE MOISTURE FROM PASSING THROUGH THE GRANULAR EMBEDMENT AND ENTERING THE SOIL BENEATH THE STRUCTURE.



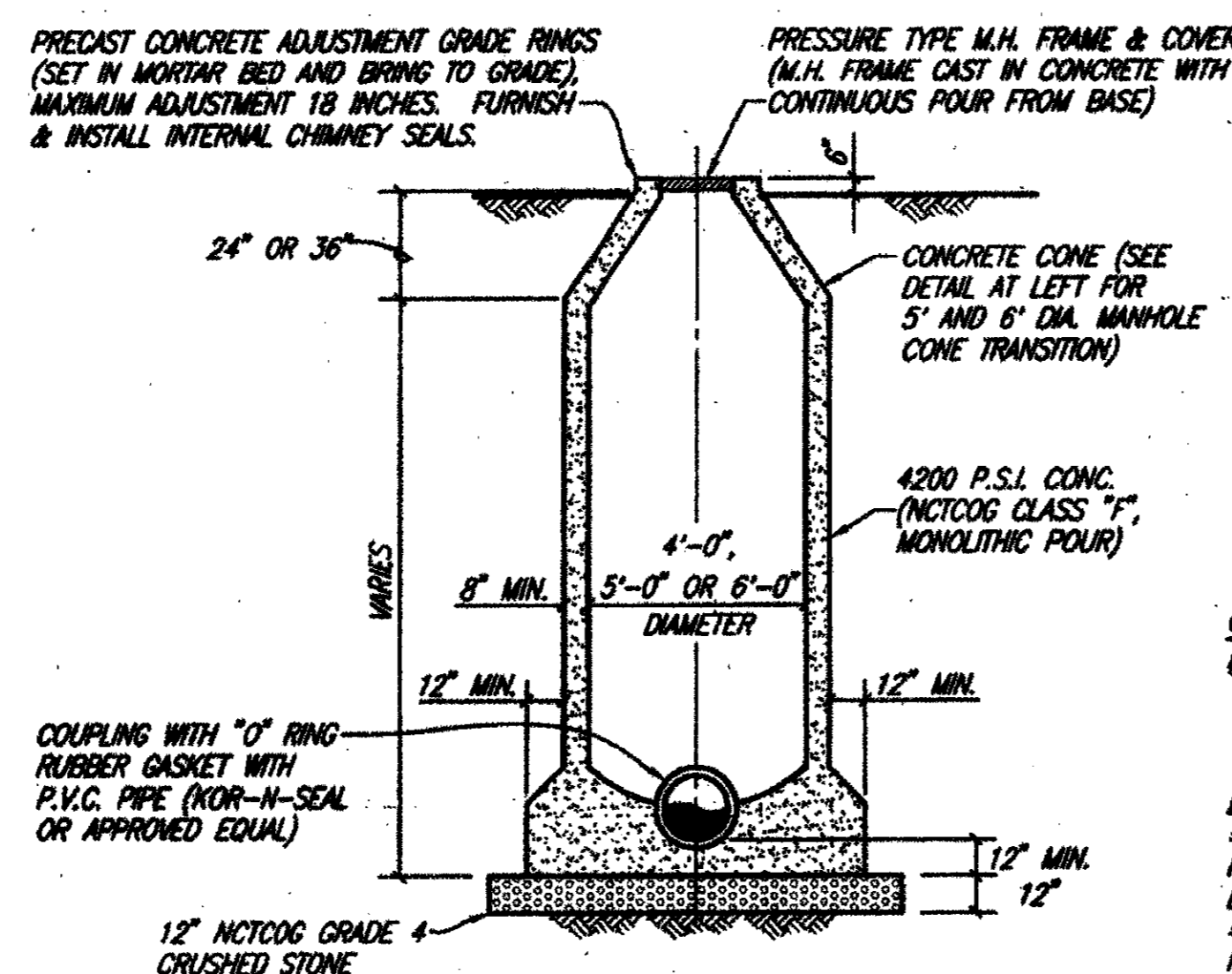
CONE TRANSITION
5' & 6' DIAMETER MANHOLES ONLY



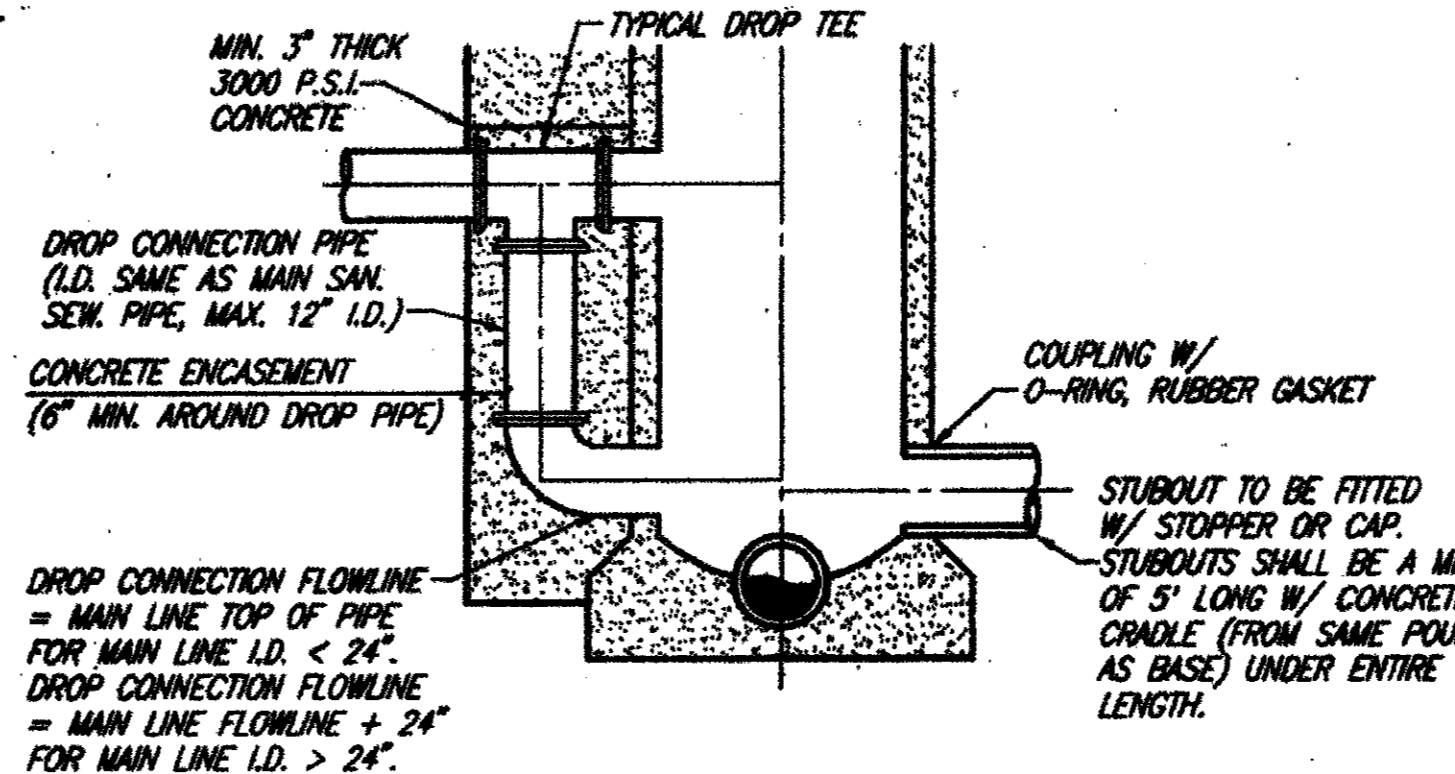
MANHOLE CONSTRUCTION JOINT
KEYWAY WITH WATERSTOP



TYPICAL STUBOUT CONNECTION

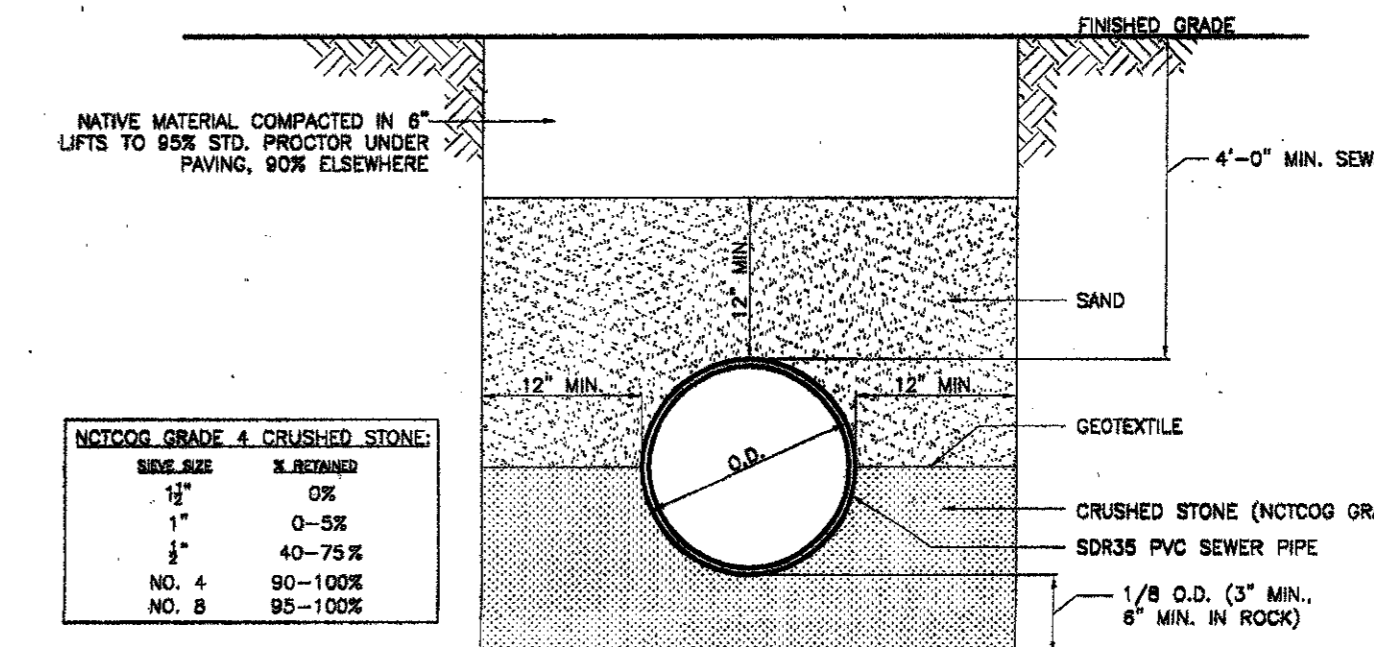


STANDARD MANHOLE ELEVATION
4', 5' & 6' DIAMETER MANHOLES

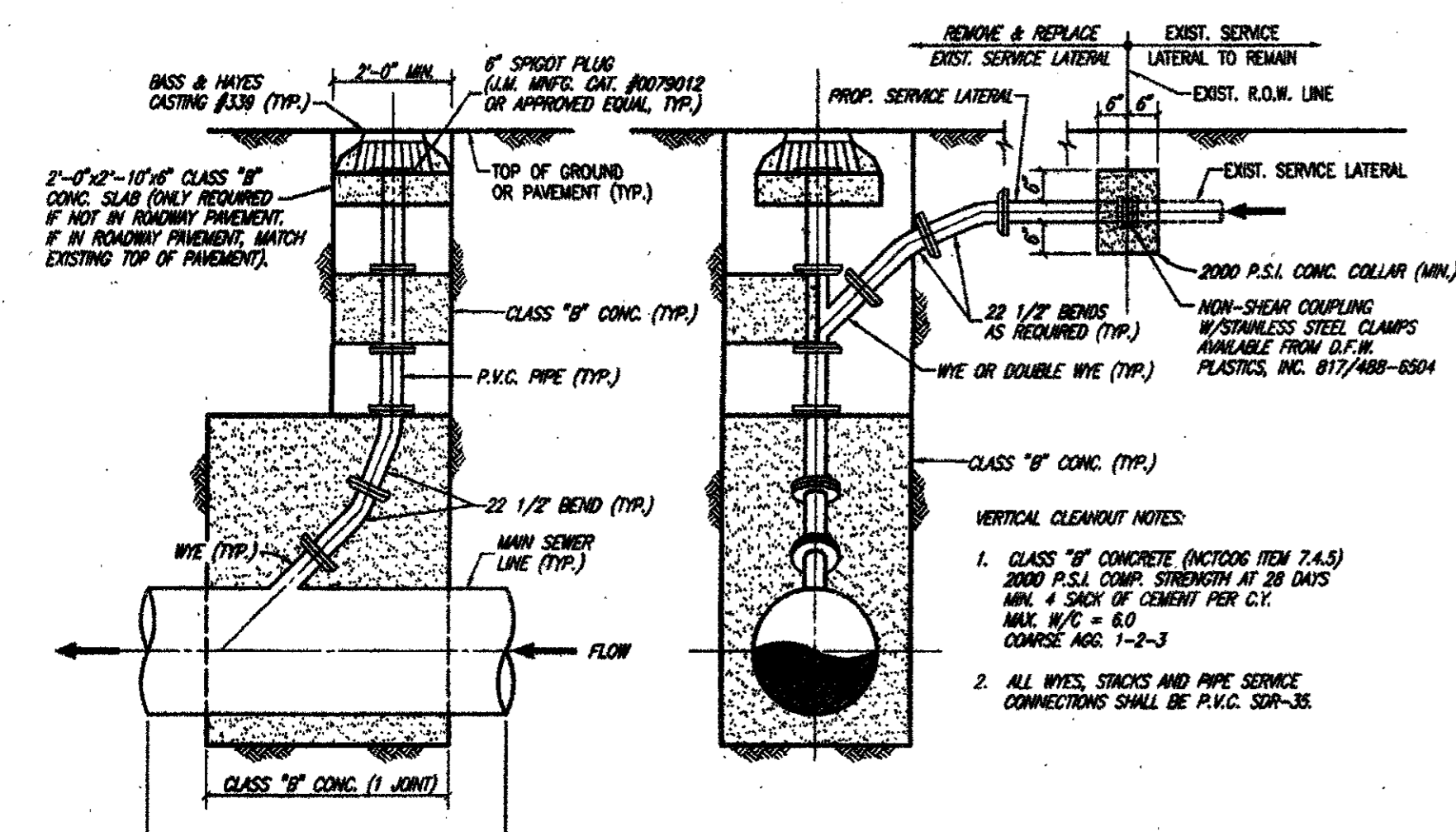


DROP MANHOLE ELEVATION
4', 5' & 6' DIAMETER MANHOLES

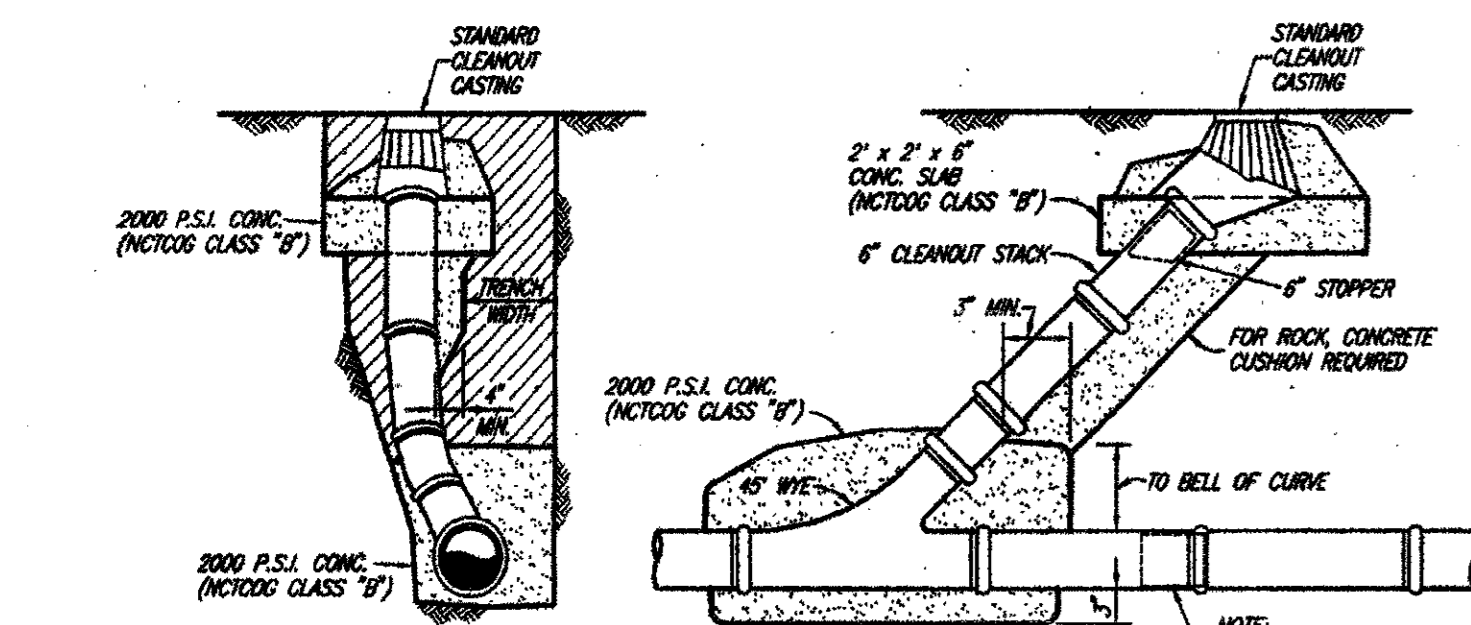
NO SCALE
NOTE: MATCH SLOPES UPSTREAM OF MANHOLE
MATCH FLOW LINES DOWNSTREAM OF MANHOLE



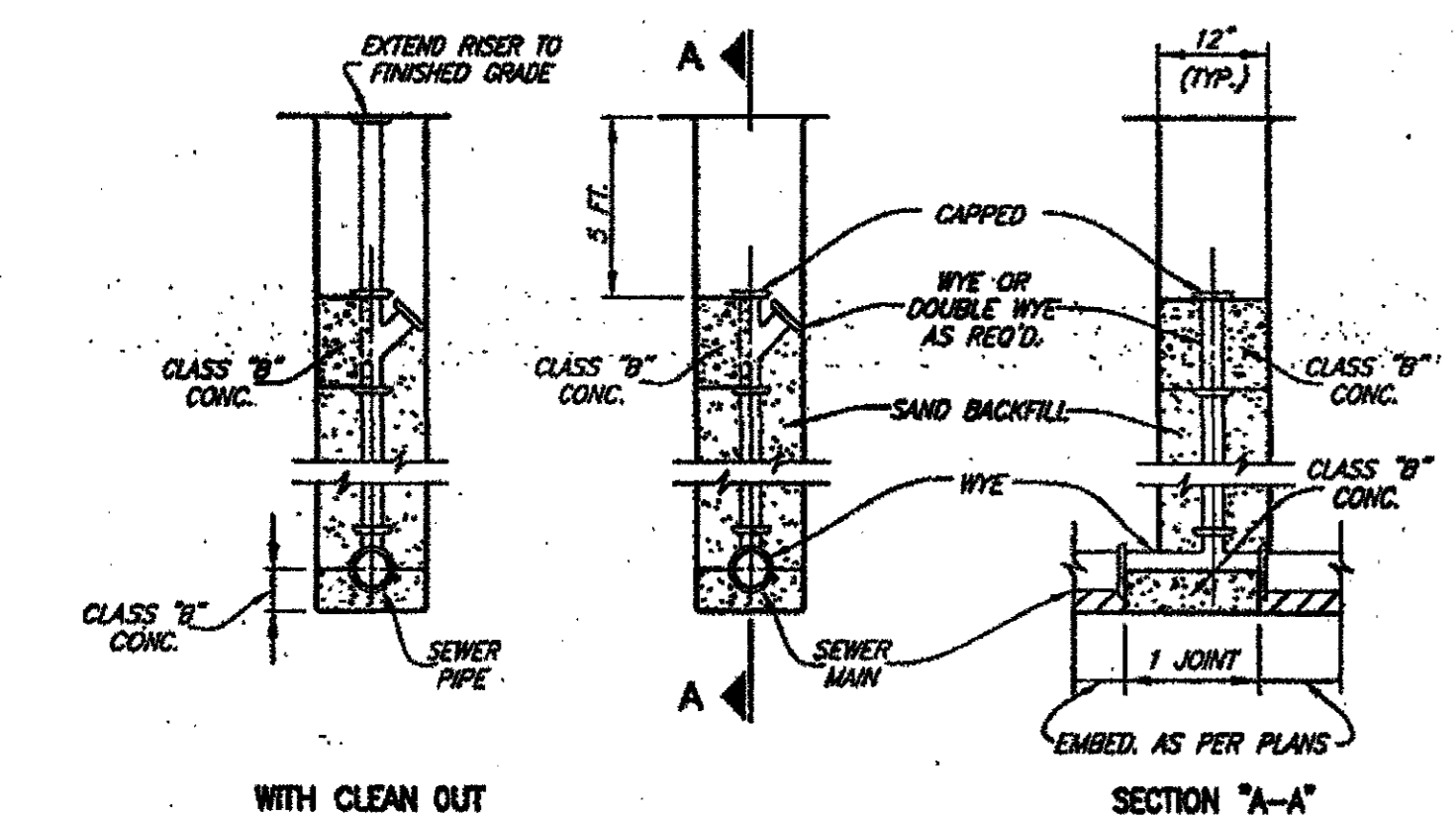
SEWER TRENCH (CLASS H EMBEDMENT FOR PVC PIPE)



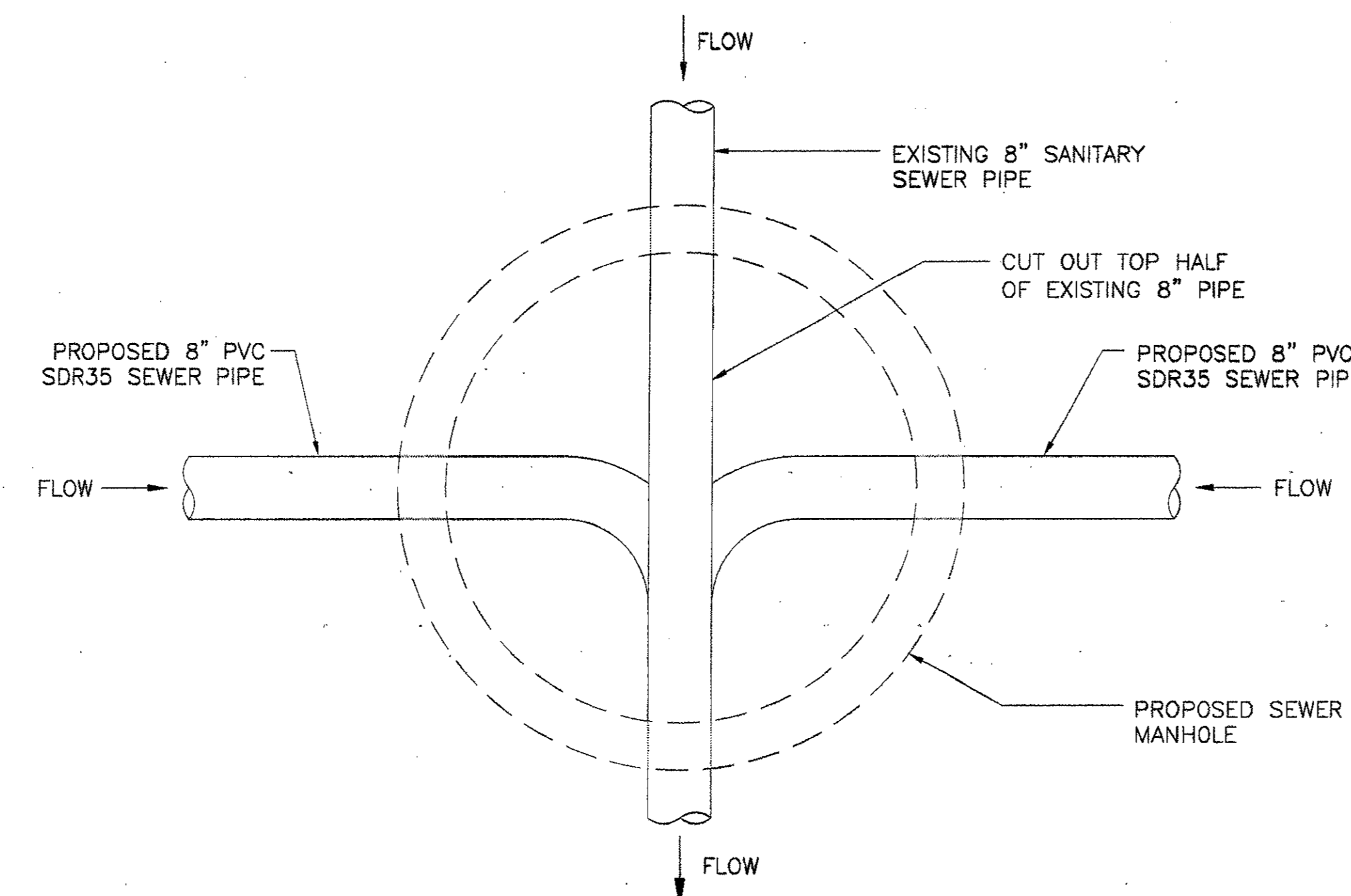
VERTICAL CLEANOUT CONNECTION



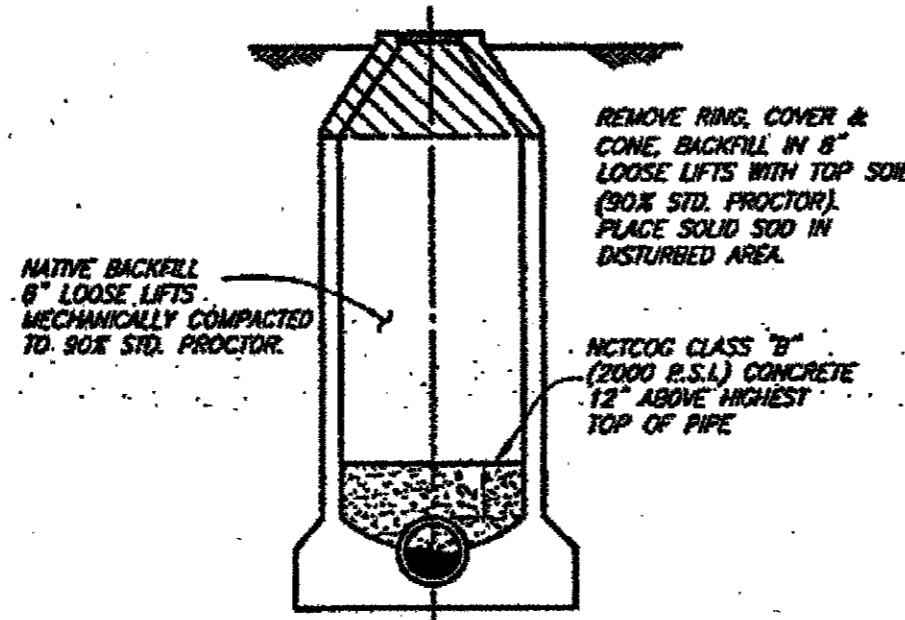
STANDARD CLEANOUT



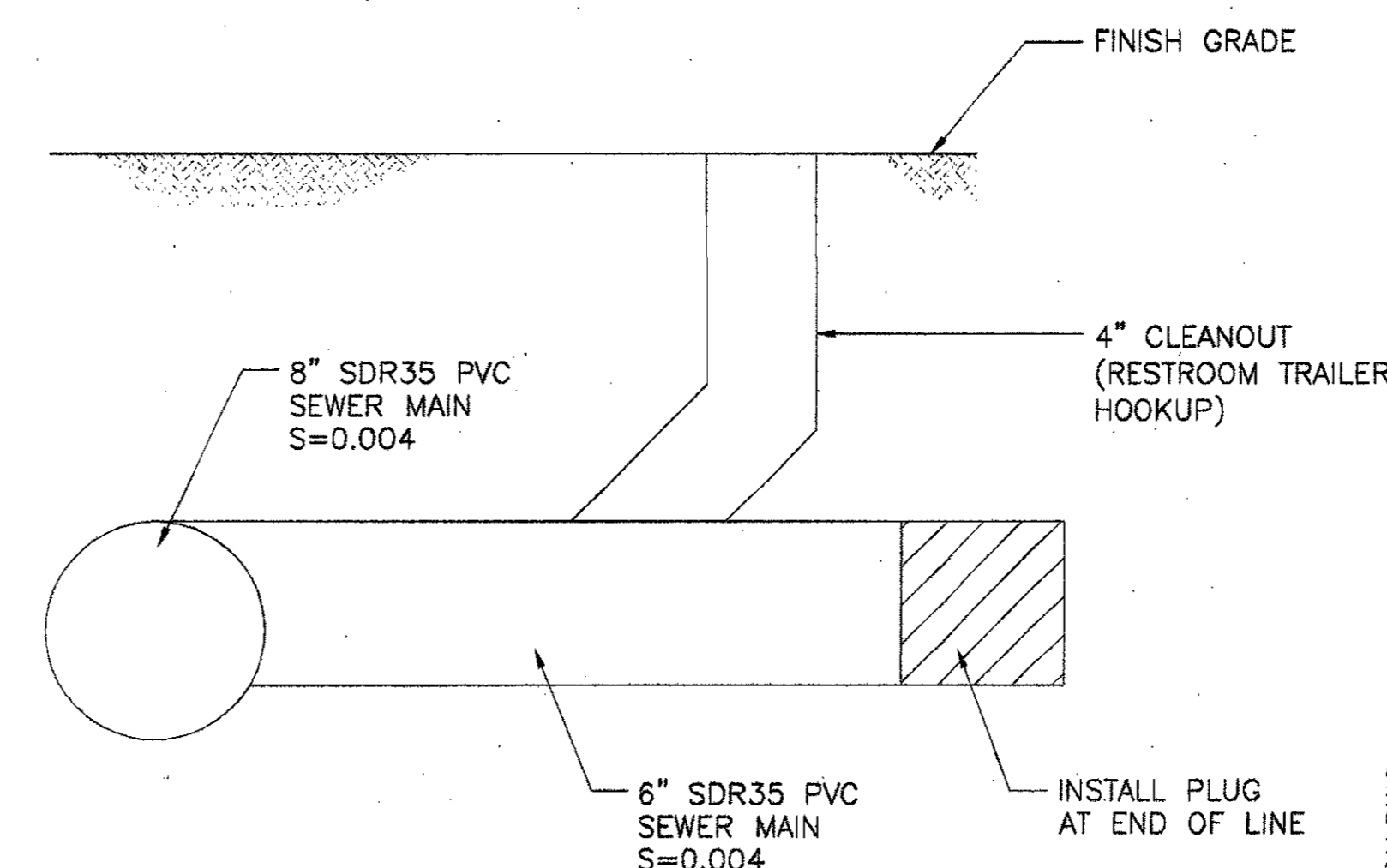
DEEP CUT CLEANOUT



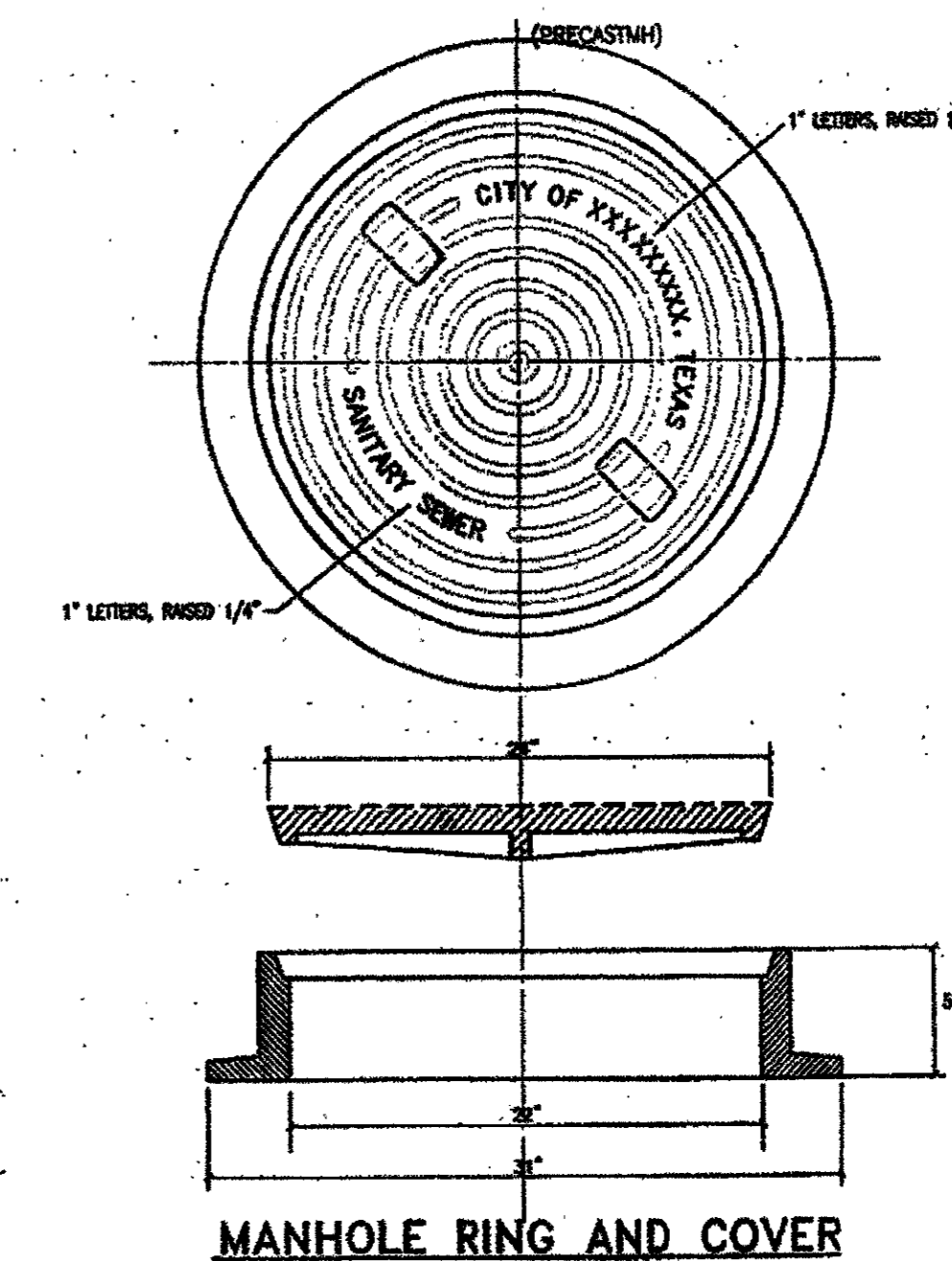
SANITARY SEWER MANHOLE OVER EXISTING SEWER PIPE



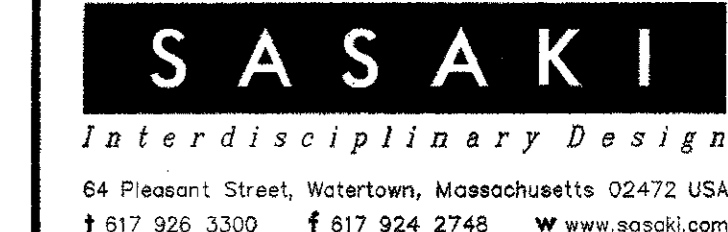
MANHOLE ABANDONMENT
OUTSIDE PAVEMENT AREA



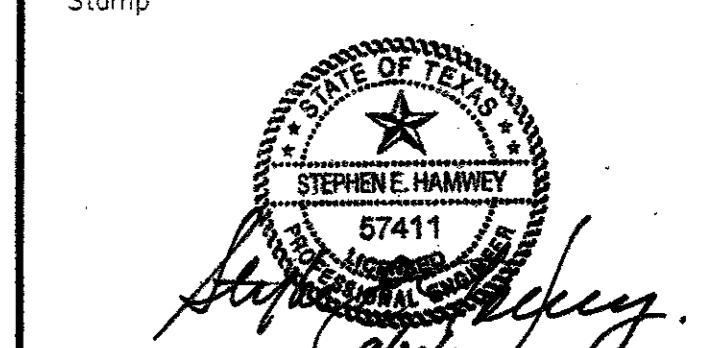
SANITARY CONNECTION TO RESTROOM TRAILER



MANHOLE RING AND COVER



ISSUED FOR CONSTRUCTION	09-30-02
No. Description	Date
DWG ISSUE & REVISION HISTORY	



Project Title:
ADDISON ARTS & EVENTS DISTRICT
ADDISON, TEXAS

Drawing Title:
SITE DETAILS
SANITARY SEWER

Project No. 14516.00 Scale: AS NOTED
Drawn By: SJM
Checked By: TC
Approved By: SEH
Date: September 30, 2002

Drawing No. **C8-6**