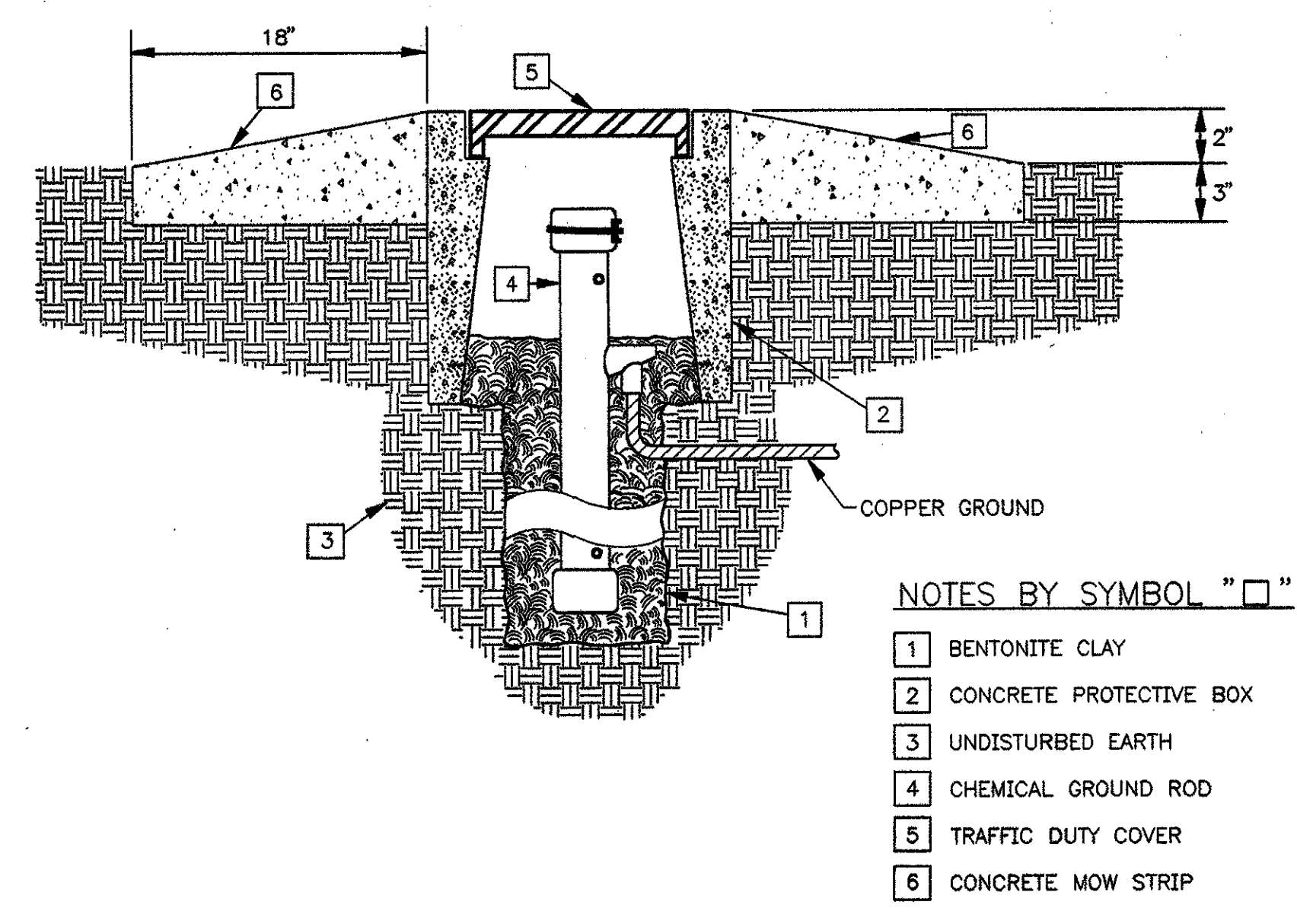
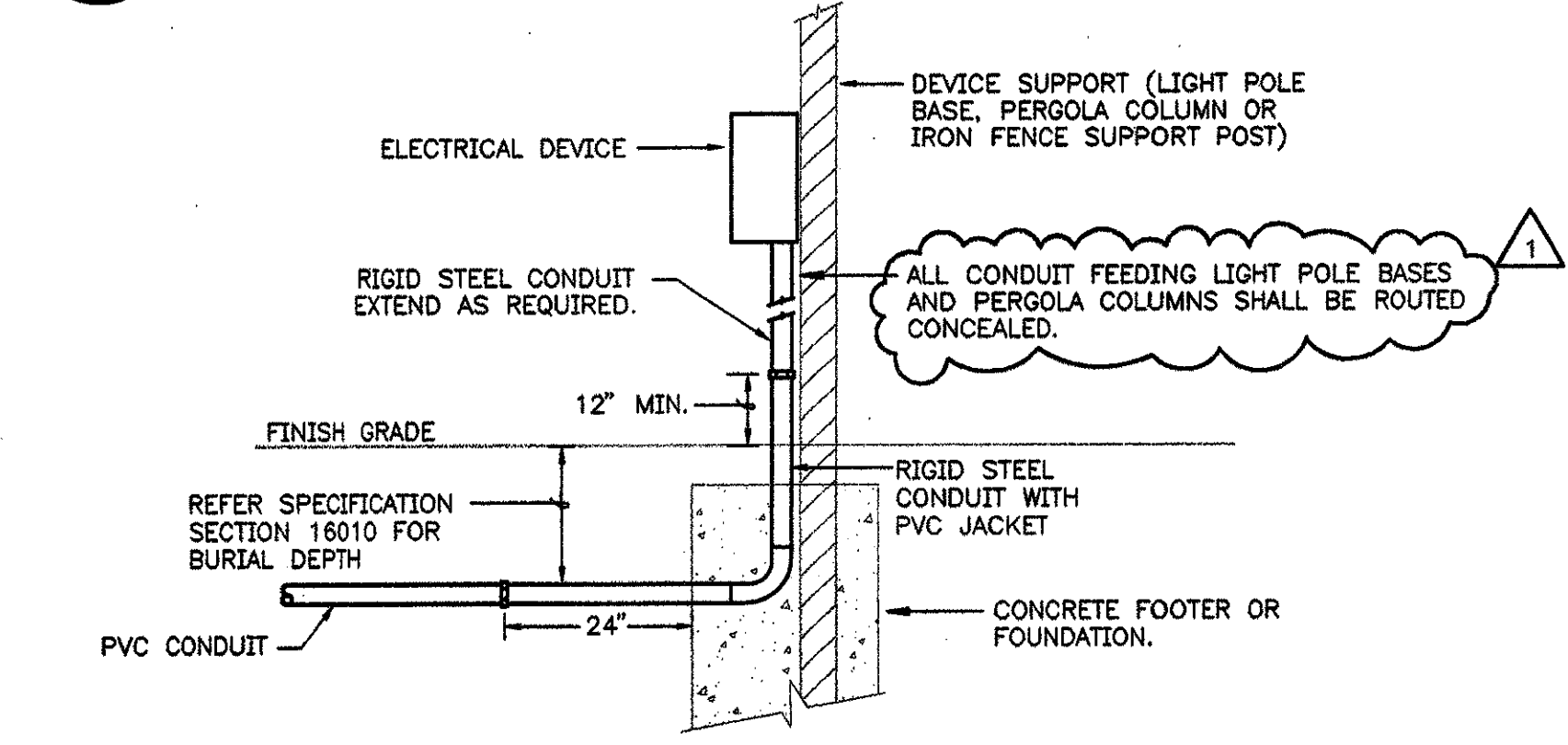


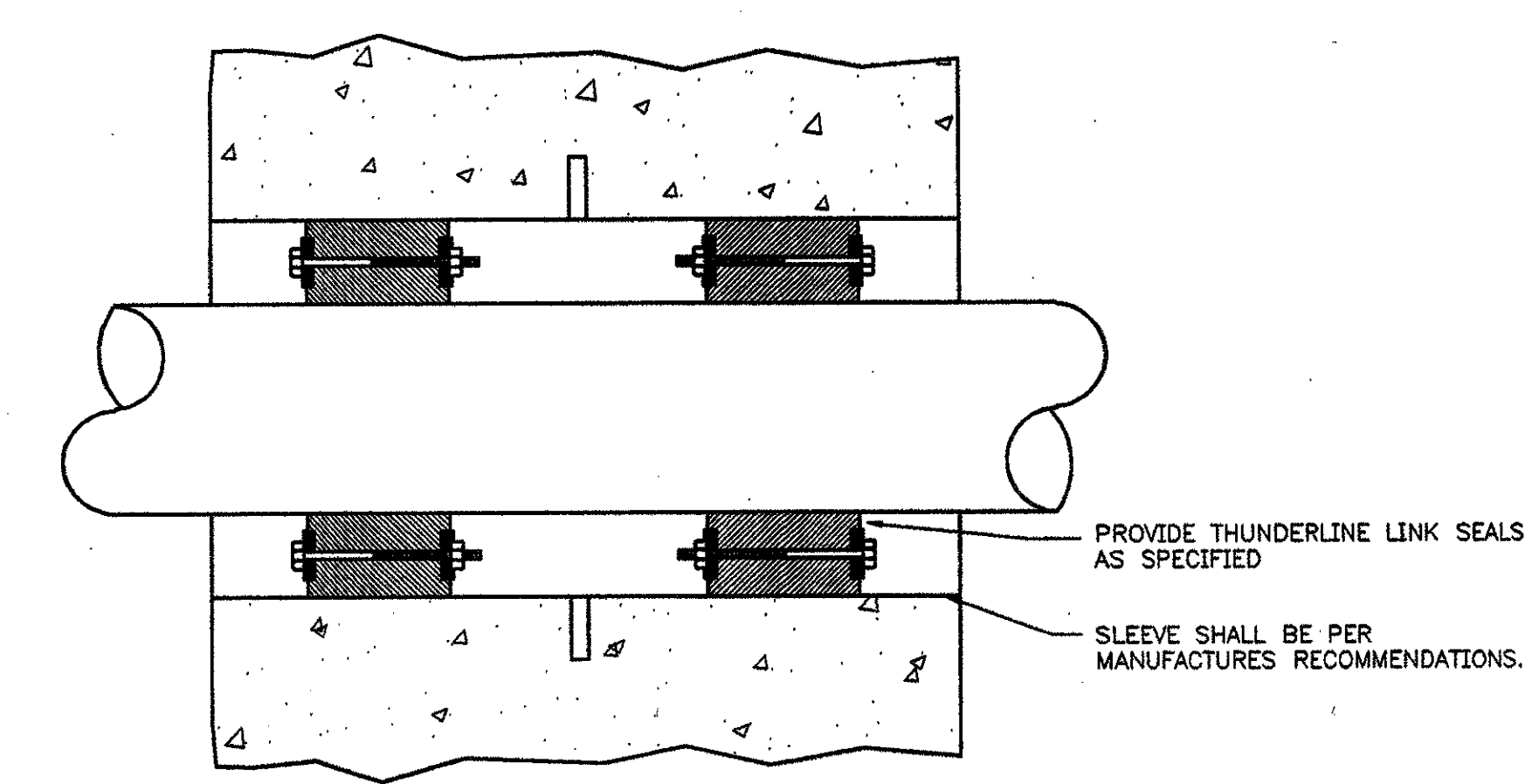
06 PHOTO CELL/ TIME CLOCK DETAIL
E2-1 NTS



03 CHEMICAL GROUND ROD DETAIL
E2-1 NTS



07 TYPICAL UNDERGROUND TO ABOVE GROUND CONDUIT TRANSITION DETAIL
E2-1 NTS

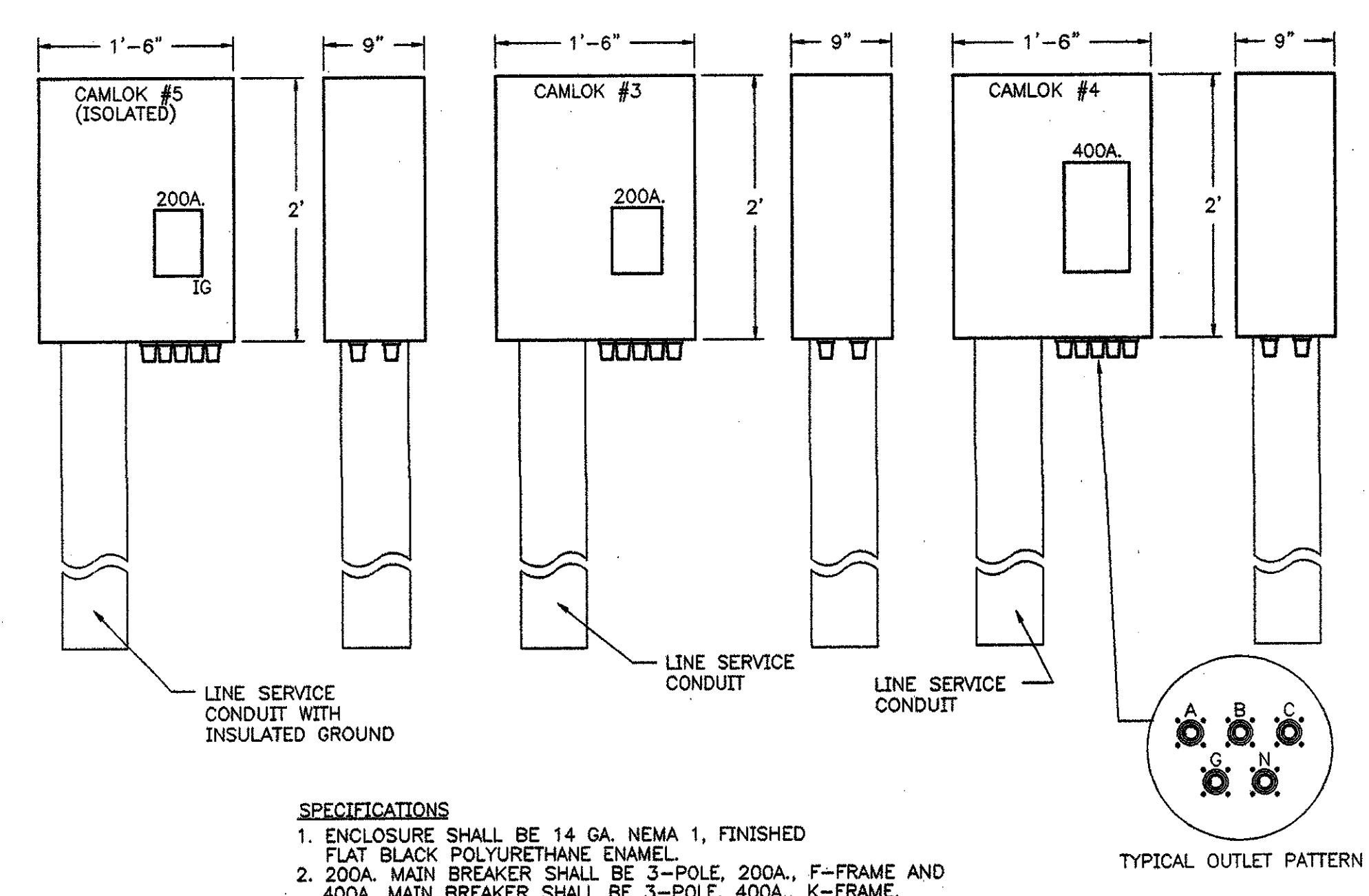


08 CONDUIT WALL SLEEVE DETAIL
E2-1 NTS

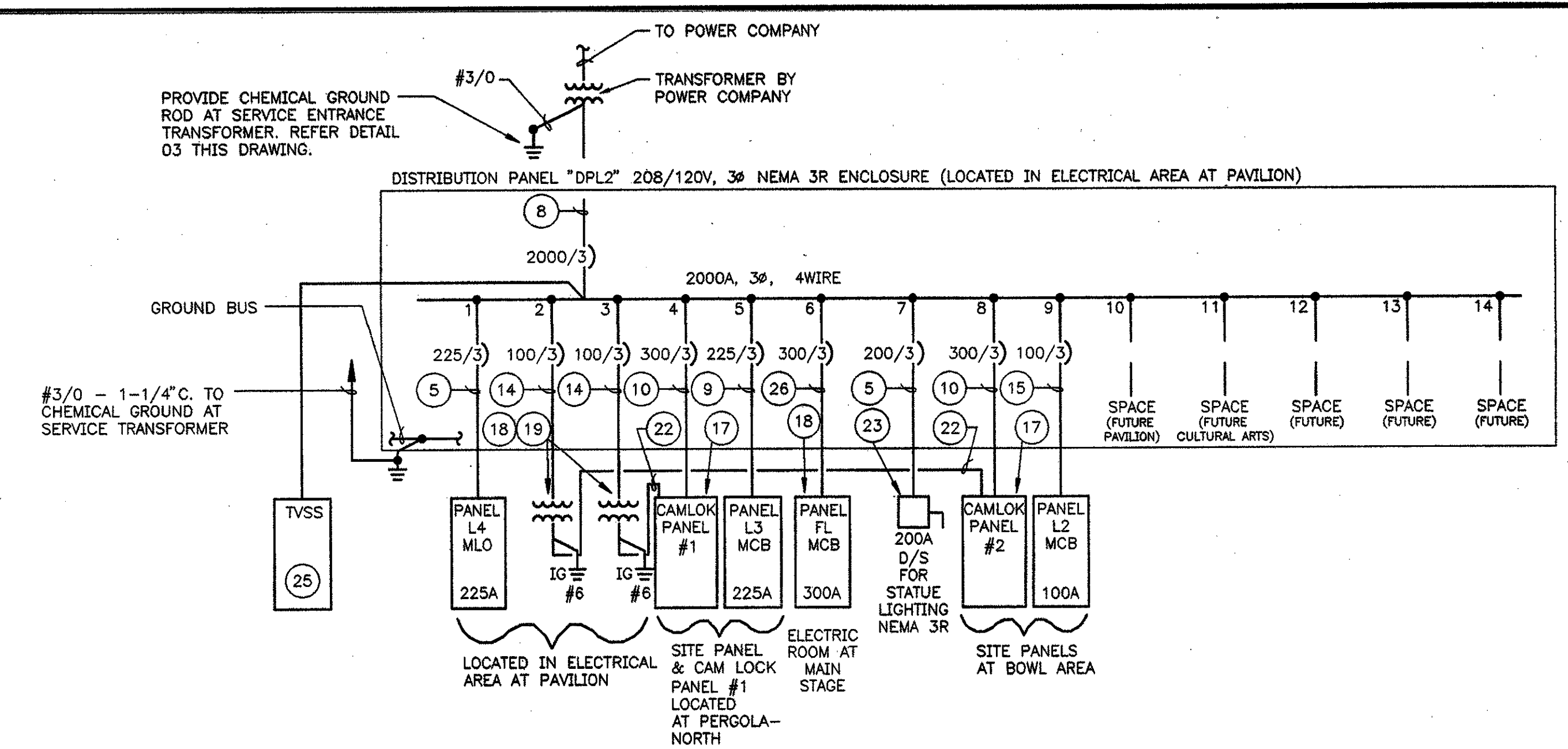
SPLICE BOX-NOTES BY SYMBOL "◇"

- 1 JUNCTION BOX SIZED PER NEC NEMA 3R ENCLOSURE REQUIRED FOR J-BOX LOCATED AT PANELS H2, L5, L2, L3 & L4.
- 2 REFER TO DRAWINGS FOR EXACT QUANTITY OF TERMINALS REQUIRED. PROVIDE 20% SPACE CAPACITY FOR FUTURE WIRE TERMINATIONS.

09 SPLICE BOX DETAIL
E2-1 NTS



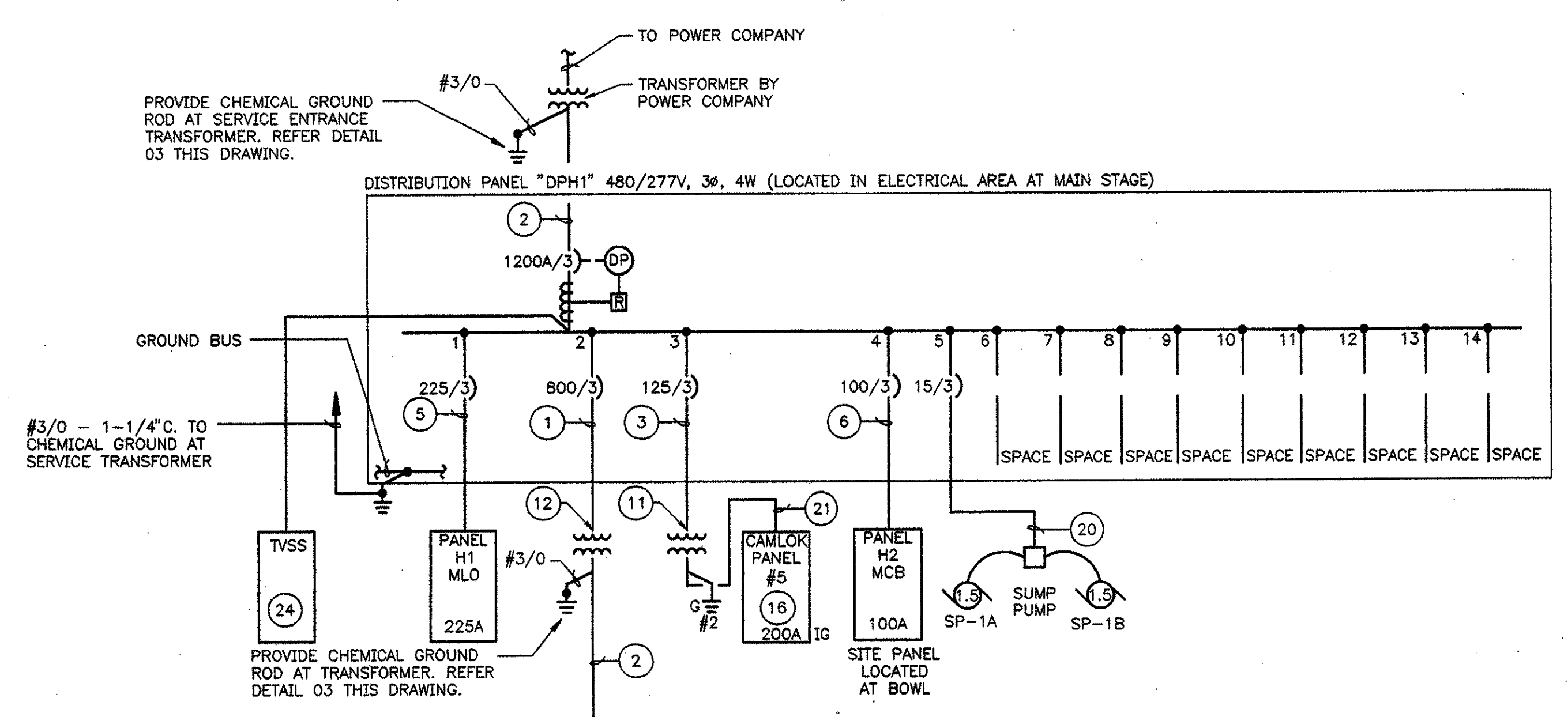
04 COMPANY SWITCHES - (CAMLOKS) IN ELECT. ROOM AT MAIN STAGE
E2-1 NTS



01 ELECTRICAL SINGLE LINE DIAGRAM - NORTH
E2-1 NTS

NOTES BY SYMBOL "○"

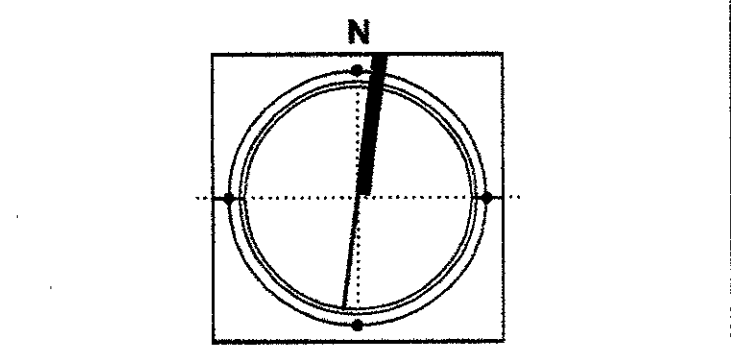
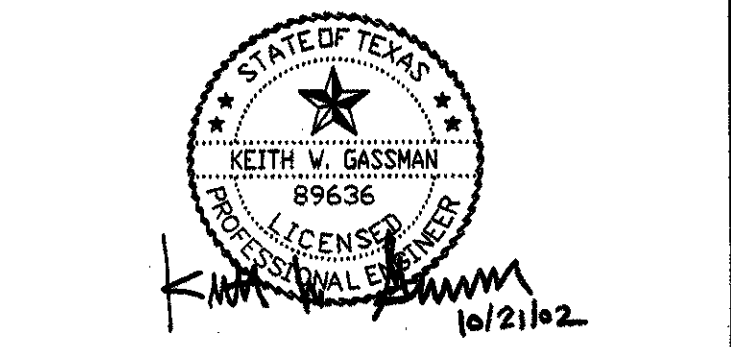
- 1 3 SETS OF 3" C. WITH 3#500 KCMIL IN EACH
- 2 5 SETS OF 3" C. WITH 4#400 KCMIL IN EACH.
- 3 3#2/0, 1#6G. - 2" C.
- 4 4#300 KCMIL, 1#4G. - 3" C.
- 5 4#350 KCMIL, 1#3G. - 3" C.
- 6 4#4/0, 1#4G. - 2-1/2" C.
- 7 2 SETS OF 3" C. WITH 4#300 KCMIL, 1#4G. IN EACH.
- 8 8 SETS OF 3" C. WITH 4#400 KCMIL IN EACH.
- 9 2 SETS OF 2-1/2" C. WITH 4#4/0, 1#1/0G. IN EACH.
- 10 2 SETS OF 3" C. WITH 4#350KCMIL, 1#1/0G. IN EACH.
- 11 75 KVA ISOLATION TRANSFORMER "T-CL5" (IG) 480V.-208/120V, 3φ, 4W.
- 12 500 KVA TRANSFORMER T-DPL1 480-208/120V,3φ,4W.
- 13 4#1/0, 1#6G. - 2" C.
- 14 3#1/0, 1#6G. - 1-1/2" C.
- 15 4#250KCMIL, 1#4G. - 3" C.
- 16 REFER DETAIL 05 THIS DRAWING.
- 17 REFER DETAIL 04 THIS DRAWING.
- 18 PROVIDE WITH NEMA 3R ENCLOSURE.
- 19 30KVA ISOLATION TRANSFORMERS "T-CL1" & "T-CL2" 208-208/120, 3φ, 4W.
- 20 3#12, 1#12G. - 3/4" C.
- 21 4#300KCMIL, 1#4G. & 1#4IG. - 3-1/2" C.
- 22 4#250KCMIL, 1#4G. 1#4IG - 3-1/2" C.
- 23 REPLACE LUGS AS REQUIRED.
- 24 CURRENT TECHNOLOGIES #SEL250 - 277/4803GY OR EQUAL.
- 25 CURRENT TECHNOLOGIES #SEL250 - 120/2083GY OR EQUAL.
- 26 2 SETS OF 3-1/2" C. WITH 4#300KCMIL, 1#4G. IN EACH.



02 ELECTRICAL SINGLE LINE DIAGRAM - SOUTH
E2-1 NTS

ADDENDUM #2	10-21-02
ISSUED FOR CONSTRUCTION	09-30-02
No. Description	Date

DWG ISSUE & REVISION HISTORY



Project Title:
ADDISON ARTS & EVENTS DISTRICT
ADDISON, TEXAS

Drawing Title:
SINGLE LINE DIAGRAMS AND DETAILS

Project No. 14516.00 Scale: NONE
Drawn By: ARM
Checked By: KG
Approved By: KG
Date: 09/30/02

Drawing No. **E2-1**