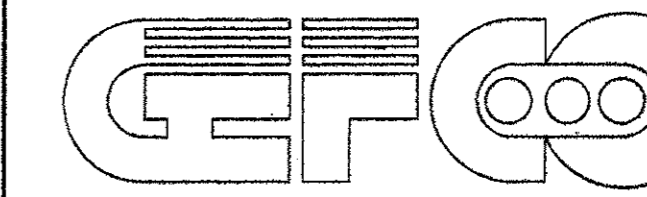


ADDISON CIRCLE ARTS (D)
 ADDISON, TX
 DECORATIVE FOUNTAIN



FOUNTAIN PLAN EQUIPMENT SYMBOLS			
	SURFACE SKIMMER		EQUIPMENT ROOM FLOOR DRAIN
	VACUUM FITTING		WATER LEVEL SENSOR
	EYEBALL FITTING		SMALL SUBMERSIBLE FREESTANDING LIGHT FIXTURE
	2" SMALL POOL DRAIN		SUBMERSIBLE FREESTANDING LIGHT FIXTURE
	4" MAIN POOL DRAIN		SUBMERSIBLE NICHE LIGHT FIXTURE
	2" WALL NICHE OVERFLOW		RECTANGULAR SUBMERSIBLE NICHE LIGHT FIXTURE
	4" WALL NICHE OVERFLOW		SMALL JUNCTION BOX WITH CORD SEALS
	OVERFLOW DRAIN STANDPIPE		MEDIUM JUNCTION BOX WITH CORD SEALS
	8" DIAM. CYCLAC SUMP		LARGE JUNCTION BOX WITH CORD SEALS
	ABS SUMP; BTM. OUTLET		BRASS SLAB CONDUIT
	ABS SUMP; SIDE OUTLET		POOL DECK BOX
	24" SQ. A-V PLATE		DISTRIBUTION BOX - PVC AND/OR AS LABELED OTHERWISE
	16" SQ. A-V PLATE		WIND ANEMOMETER
	COPPER, BRASS OR PVC SLAB PENETRATION (AS NOTED)		EQUIP. ROOM OR PUMP STATION LIGHT
	ADJUSTABLE INLET FITTING		EQUIP. ROOM OR PUMP STATION DUPL. RECEPTACLE
	ENCLOSED PILOT VALVE NICHE MOUNTED		EQUIP. ROOM OR PUMP STATION LIGHT SWITCH
	FOUNTAIN JET - AS LABELED		FOUNTAIN CONTROL PANEL
	FOUNTAIN JET POD		FOUNTAIN TRANSFORMER AS NOTED

FOUNTAIN PLAN PIPING SYMBOLS			
	GATE VALVE		FLANGED 90° ELBOW W/ FLANGED CONNECTION
	BALL VALVE		FLANGED TEE
	BUTTERFLY VALVE (FLANGED)		FLANGED REDUCER
	SWING CHECK VALVE		NON-FLANGED REDUCER
	FLANGED CHECK VALVE		TEE (THIRD LEG OUT)
	MOTOR OPERATED VALVE		TEE (THIRD LEG DOWN)
	SOLENOID OR DIAPHRAM OPERATED VALVE		TEE (THIRD LEG UP)
	90° ELL (SIDE)		PIPE AND FLOW DIRECTION
	90° ELL (DOWN)		ELECTRICAL CONDUIT NUMBER AND SIZE OF WIRES
	90° ELL (UP)		CHEMICAL PIPING
	THREADED CONNECTION		AIR VENT PIPING
	SOCKET CONNECTION - PVC		FLOW, PRESSURE AND VACUUM SWITCH

GENERAL CONTRACTOR NOTES

1. "•" INDICATES MATERIAL PROVIDED BY FOUNTAIN EQUIPMENT SUPPLIER, REMAINDER BY DESIGNATED CONTRACTOR.

2. CONTRACTOR SHALL INSURE THAT INSTALLATION COMPLIES WITH ALL APPLICABLE NATIONAL AND LOCAL CODES AND PROJECT SPECIFICATIONS.

3. ALL POOLS SHALL BE WATERPROOFED BY SPECIFIED, APPROVED MEANS.

4. PRIOR TO ANY FINISHING MATERIALS (I.E. LIGHTS, JETS, COVERPLATES) BEING INSTALLED, ALL POOLS SHALL BE TESTED FOR LEAKS FOR A MINIMUM OF 72 HOURS AND ALL WATERPROOFING AND TILE WORK SHALL BE COMPLETED.

5. REFER TO MECHANICAL AND ELECTRICAL NOTES FOR FURTHER INFORMATION.

6. FIELD VERIFY ALL DIMENSIONS.

7. CONSULT ARCHITECTURAL, STRUCTURAL, MECHANICAL AND ELECTRICAL DRAWINGS FOR ADDITIONAL DETAILS NOT SHOWN ON THESE DRAWINGS.

8. ALL WEIRS SHALL BE INSTALLED WITH AN ACCURACY OF "+.0" OR "-.1" OVER THE ENTIRE WEIR LENGTH, UNLESS OTHERWISE NOTED, REFER TO THE ARCHITECTURAL DRAWINGS FOR WEIR DETAILS.

9. GENERAL CONTRACTOR SHALL PROVIDE ALL CONCRETE WORK AS REQUIRED BY ALL MECHANICAL AND ELECTRICAL FOUNTAIN EQUIPMENT REQUIREMENTS INCLUDING, BUT NOT LIMITED TO, HOUSE KEEPING PADS, LOCKDOWN SLABS, THRUSTBLOCKS, (SEE MECH. NOTES AND ALL DETAILS) WHERE INDICATED.

10. GENERAL CONTRACTOR SHALL PROVIDE ALL UTILITIES SUCH AS POWER SUPPLIES, WATER SUPPLIES AND SEWER CONNECTIONS UNDER THE BUILDING CONTRACT UP TO THE FOUNTAIN CONTROLS, EQUIPMENT AND/OR POOL FITTINGS. (SEE MECH. NOTES AND ALL DETAILS) WHERE INDICATED.

11. GENERAL CONTRACTOR SHALL PROVIDE AND IS RESPONSIBLE FOR ALL ELEVATION AND X-Y COORDINATES RELATING TO ALL FOUNTAIN EQUIPMENT INCLUDING VAULTS, POOL FLOORS AND PUMPS.

12. GENERAL CONTRACTOR SHALL PROVIDE AND IS RESPONSIBLE FOR ALL REQUIRED EARTHWORK INCL. EXCAVATION & BACKFILL.

13. SYMBOL INDICATES FOUNTAIN POOL EQUIPMENT, DESCRIPTION IS LOCATED IN FOUNTAIN LEGEND ON RESPECTIVE SHEETS.

14. SYMBOL INDICATES FOUNTAIN RELATED PIPING AND CONDUITS, SIZE IS LOCATED IN FOUNTAIN LEGEND DESCRIPTION ON RESPECTIVE SHEETS.

15. SYMBOL INDICATES GENERAL NOTE, LETTER BESIDE SYMBOL INDICATES TYPE OF GENERAL NOTE, G REPRESENTS GENERAL CONSTRUCTION NOTE, M REPRESENTS MECHANICAL NOTE AND E REPRESENTS ELECTRICAL NOTE, SYMBOL WITHOUT LETTER INDICATES NOTE APPLIES TO MORE THAN ONE DISCIPLINE.

16. SYMBOL INDICATES FOUNTAIN SHEET REVISION NUMBER, REVISION DESCRIPTION IS LOCATED IN REVISION BLOCK OF TITLE BLOCK ON RESPECTIVE SHEETS, SYMBOL WITH REVISION NUMBER WILL APPEAR NEXT TO REVISIONS THAT HAVE BEEN MADE.

ISOMETRIC SYMBOLS					
	SURFACE SKIMMER		ABS SUMP		UNDERWATER JUNCTION BOX
	VACUUM FITTING		ANTI-VORTEX PLATE WITH SLAB PENETRATION		UNDERWATER DECK BOX
	EYEBALL FITTING		COPPER, BRASS OR PVC SLAB PENETRATION		WIND ANEMOMETER
	2" SMALL POOL DRAIN		ADJUSTABLE INLET FITTING		SUMP PUMP
	4" MAIN POOL DRAIN		FOUNTAIN JET (AS LABELED)		DUPLX RECEPTACLE
	WALL NICHE OVERFLOW		WATER LEVEL CONTROL		PUMP STATION OR EQUIP. ROOM LIGHT FIXTURE
	OVERFLOW DRAIN STANDPIPE		FREESTANDING SUBMERSIBLE LIGHT FIXTURE		FOUNTAIN CONTROL PANEL
	8" DIAM. CYCLAC SUMP		NICHE LIGHT FIXTURE		FOUNTAIN TRANSFORMER

MECHANICAL CONTRACTOR NOTES

1. "•" INDICATES MATERIAL PROVIDED BY FOUNTAIN EQUIPMENT SUPPLIER, REMAINDER BY DESIGNATED CONTRACTOR.

2. CONTRACTOR SHALL INSURE THAT INSTALLATION COMPLIES WITH ALL APPLICABLE NATIONAL AND LOCAL CODES AND PROJECT SPECIFICATIONS.

3. ALL PIPING RUNS ARE DRAWN FOR CLARITY AND DO NOT NECESSARILY SHOW EXACT ROUTING, CONTRACTOR SHALL INSTALL PIPES WITH AS FEW CHANGES IN DIRECTION AS JOBSITE CONDITIONS WILL ALLOW.

4. INDICATES CONNECTION POINT PROVIDED BY FOUNTAIN EQUIPMENT MANUFACTURER, ALL PIPING BETWEEN THIS POINT AND THE POOL EQUIPMENT TO BE PROVIDED BY THE DESIGNATED CONTRACTOR.

5. INDICATES MID-POINT OF PIPES CONNECTING RESPECTIVE FOUNTAIN EQUIPMENT COMPONENTS.

6. PRESSURE TESTING ON ALL PIPE RUNS BETWEEN THE PUMPING EQUIPMENT AND THE FOUNTAIN BASIN SHALL BE DONE BY THE CONTRACTOR AFTER "ROUGH INS" (PIPES LAID AND STUBBED UP) ARE COMPLETE AND AGAIN BEFORE ANY CONCRETE IS POURED, IT IS RECOMMENDED TO MAINTAIN ALL PIPING UNDER PRESSURE DURING CONSTRUCTION PHASE TO DETECT ANY DAMAGE EARLY ON, ALL TESTS SHALL USE WATER, NOT AIR.

7. THE INCOMING WATER SUPPLY LINE PRESSURE MUST NOT EXCEED 50 PSI AND IS PART OF THE BUILDING CONTRACT, NOT THE FOUNTAIN.

8. CONTRACTOR SHALL OBTAIN ALL NECESSARY INSTALLATION PERMITS AND INSPECTIONS.

9. ALL PIPING SHALL BE INSTALLED LEVEL OR WITH A DOWNWARD SLOPE FROM THE POOL TO THE PUMP ROOM.

10. ALL PIPING BELOW 6" BETWEEN PUMP EQUIPMENT AND POOL EQUIPMENT SHALL BE SCHEDULE 40 PVC, ALL DISPLAY DISCHARGE PIPING 6" AND ABOVE SHALL BE SCHEDULE 80 PVC UNLESS OTHERWISE NOTED.

11. G/C AND M/C ARE TO INSTALL CONCRETE THRUST BLOCKS AT ALL 90 DEGREE TURNS IN FOUNTAIN DISPLAY DISCHARGE PIPING 6" AND LARGER.

12. ALL PIPING SHALL BE PRESSURE TESTED AFTER INSTALLATION IN ACCORDANCE WITH PROJECT TESTING STANDARDS (MINIMUM OF 50 PSI), TESTING SHALL NOT BE DONE BY COMPRESSED AIR, WATER SHALL BE USED FOR THESE TESTS.

13. ALL WELDED PVC FITTINGS ABOVE 6" DIAMETER SHALL BE FIBERGLASS REINFORCED AND USED ONLY ON NON-PRESSURIZED LINES.

14. ALL PIPING IN OPEN AREAS BELOW THE POOLS SHALL BE INSTALLED FREEHANGING FROM THE CEILING IN THE LEVEL BELOW WITH PIPE HANGERS/PER SPECIFICATIONS AND CODE.

15. ALL PIPING PENETRATIONS THROUGH STRUCTURE WALLS INTO OPEN AREAS BELOW POOL STRUCTURE MUST HAVE THE NECESSARY ALLOWANCES MADE FOR SETTLEMENT.

16. ALL PENETRATIONS THROUGH OUTSIDE WALLS TO BELOW GRADE SHALL BE SEALED USING "EASY-LINK SEALS".

ELECTRICAL CONTRACTOR NOTES

1. "•" INDICATES MATERIAL PROVIDED BY FOUNTAIN EQUIPMENT SUPPLIER, REMAINDER BY DESIGNATED CONTRACTOR.

2. CONTRACTOR SHALL INSURE THAT INSTALLATION COMPLIES WITH ALL APPLICABLE NATIONAL AND LOCAL CODES, ESPECIALLY N.E.C. SECTION 680 E, AND PROJECT SPECIFICATIONS.

3. CONDUITS ARE DRAWN FOR CLARITY AND DO NOT NECESSARILY SHOW EXACT ROUTING, CONTRACTOR SHALL INSTALL CONDUITS WITH AS FEW CHANGES IN DIRECTION AS JOBSITE CONDITIONS WILL ALLOW.

4. INDICATES CONNECTION POINT PROVIDED BY FOUNTAIN EQUIPMENT MANUFACTURER, ALL CONDUITS BETWEEN THIS POINT AND THE POOL EQUIPMENT TO BE PROVIDED BY THE DESIGNATED CONTRACTOR.

5. CONTRACTOR SHALL OBTAIN ALL NECESSARY INSTALLATION PERMITS AND INSPECTIONS.

6. ELECTRICAL CONDUIT INSIDE A STRUCTURE AREA TO BE EMT, ELECTRICAL CONDUIT UNDERGROUND TO BE PVC.

7. CONTRACTOR TO INSURE THAT ALL BONDING CODES ARE COMPLIED WITH FOR EACH METAL POOL EQUIPMENT COMPONENT.

8. AFTER TESTING, JUNCTION BOXES NEED TO BE SEALED WITH PARAFFIN WAX OR OTHER APPROVED FILLING COMPOUND. (SEE 2 ABOVE).

9. WIRES FOR WATER LEVEL MONITOR MUST BE RUN IN A SEPARATE CONDUIT TO THE FOUNTAIN CONTROL PANEL.

10. ALL CONDUIT PENETRATIONS THROUGH STRUCTURE WALLS INTO TRADE AREAS BELOW THE POOL STRUCTURE MUST HAVE THE NECESSARY ALLOWANCES MADE FOR SETTLEMENT.

11. ALL CONDUIT INSTALLATION IN TRADE AREAS BELOW THE POOLS SHALL BE INSTALLED WITH E.M.T. IN THE LEVEL BELOW WITH E.M.T. STRAPS PER SPECIFICATIONS AND N.E.C.

12. FLOOR MOUNTED MOTOR CONTROL CENTERS AND TRANSFORMERS FOR FOUNTAIN RELATED EQUIPMENT SHALL BE INSTALLED ON A 4" CONCRETE HOUSEKEEPING PAD IN EQUIPMENT ROOM.

13. CONTRACTOR INSTALLING FOUNTAIN MANUFACTURER SUPPLIED DECK BOXES IN CONCRETE FOR FOUNTAIN LIGHTING IS TO INSURE THAT ALL OPEN CONDUIT PORTS ARE PLUGGED WATER TIGHT PRIOR TO SLAB POUR AROUND DECK BOXES.

14. ALL PENETRATIONS THROUGH OUTSIDE WALLS TO BELOW GRADE SHALL BE SEALED USING "EASY-LINK SEALS".

15. ALL CONNECTIONS IN THE POOL/FOUNTAIN SHALL BE MADE WITH THE ASSISTANCE OF A PLUMBER, USING TEFLON TAPE OR TEFLON PASTE, USE ONLY TAPERED (NPT) BRASS OR SST FITTINGS OR NIPPLES, THE USE OF GALVANIZED, BLACK OR STEEL PIPING IS PROHIBITED!

16. ALL PVC CONDUIT CONNECTIONS UNDERGROUND SHALL BE SCH40 PRESSURE FITTINGS (FTE) MALE ADAPTERS & COUPLINGS, USE COLOR CODED PRIMER & PRESSURE FITTING PVC GLUE & TEFLON PASTE, THE USE OF NORMAL ELECTRICAL PVC FITTINGS IS PROHIBITED!

SHEET NO.	DESCRIPTION	PROJECT NUMBER:	ORIGINAL ISSUE DATE:
F0-0	COVER SHEET/SYMBOLS/GENERAL NOTES	#0701-259	05-21-02
F1-1	WATER GARDEN DISCHARGE PLAN VIEW	REVISION #	REVISION DATE:
F1-2	WATER GARDEN SUCTION & DRAIN PLAN VIEW	1	09-23-02
F1-3	WATER GARDEN ELECTRICAL PLAN VIEW	SEAL	SEAL
F1-4	WATER GARDEN DETAILS		
F2-1	PLAZA INTERACTIVE FOUNTAIN DISCHARGE PLAN VIEW		
F2-2	PLAZA INTERACTIVE FOUNTAIN DRAINAGE PLAN VIEW		
F2-3	PLAZA INTERACTIVE FOUNTAIN SUCTION PLAN VIEW		
F2-4	PLAZA INTERACTIVE FOUNTAIN ELECTRICAL PLAN VIEW		
F2-5	PLAZA INTERACTIVE FOUNTAIN DETAILS		
FE1-1	ELECTRICAL DIAGRAM		
X	X		

GEORGIA FOUNTAIN COMPANY - INTERACTIVE, ANIMATED & ARCHITECTURAL WATER FOUNTAINS

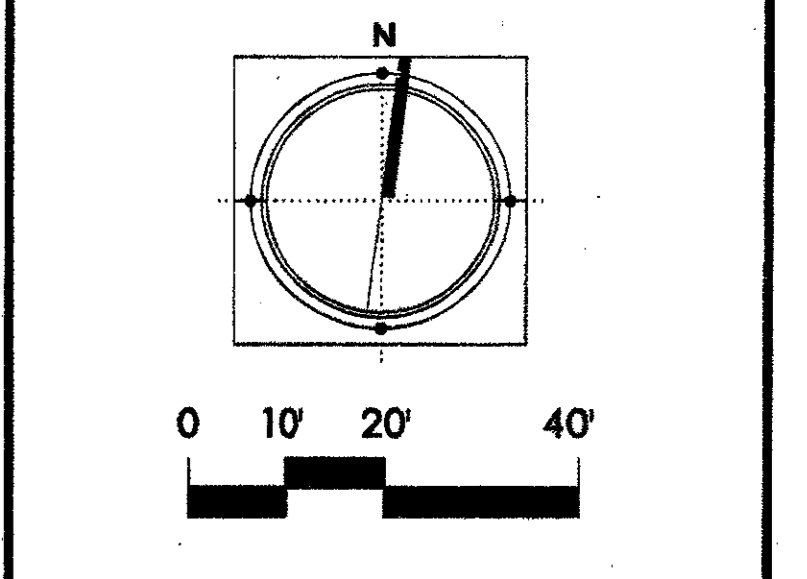
TELEPHONE (770) 934-3297

2513 ROYAL PLACE - TUCKER, GEORGIA 30084 USA

FAX. (770) 934-8770

SHEET
OF
FILE # 0300

ISSUED FOR CONSTRUCTION	09-30-02
No. Description	Date
DWG ISSUE & REVISION HISTORY	
Stamp	



Project Title:
ADDISON ARTS & EVENTS DISTRICT
 ADDISON, TEXAS

Drawing Title:
FOUNTAIN LEGEND & ABBREVIATIONS

Project No. 14516.00 Scale:
 Drawn By:
 Checked By:
 Approved By:
 Date: September 30, 2002

Drawing No. **F0-0**