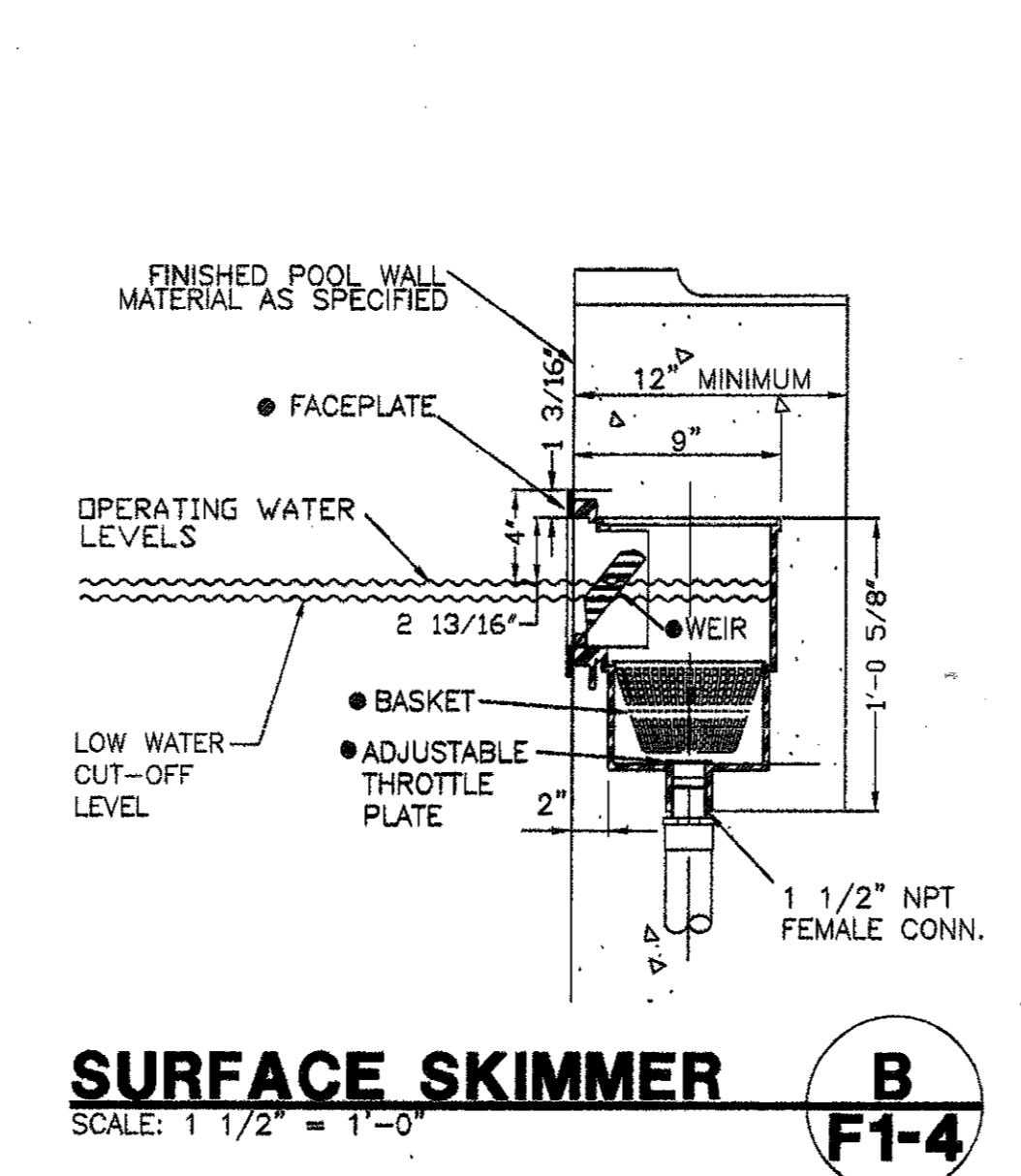
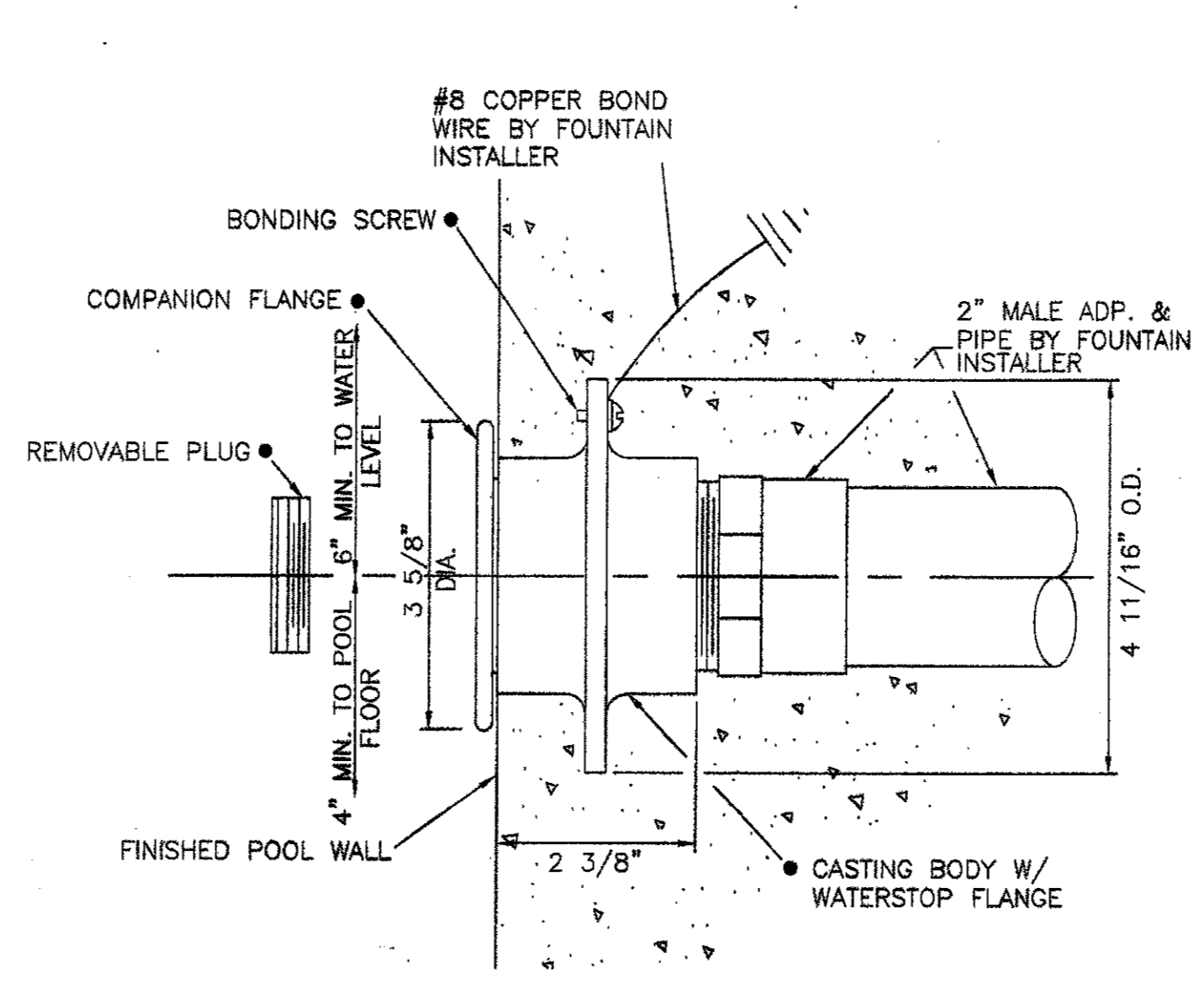


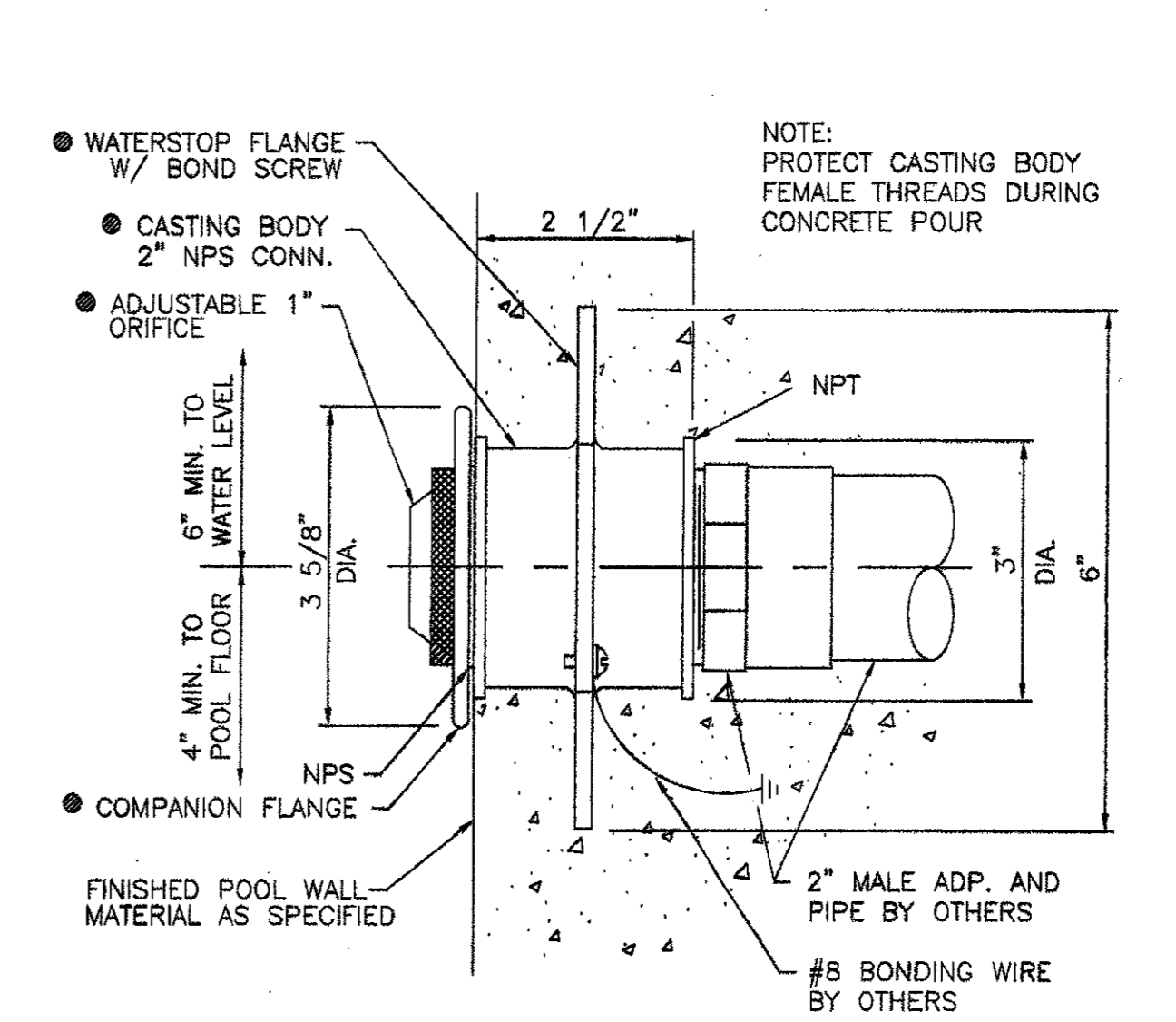
JET SLEEVE CAN & STREAM JET
 SCALE: 3\"/>



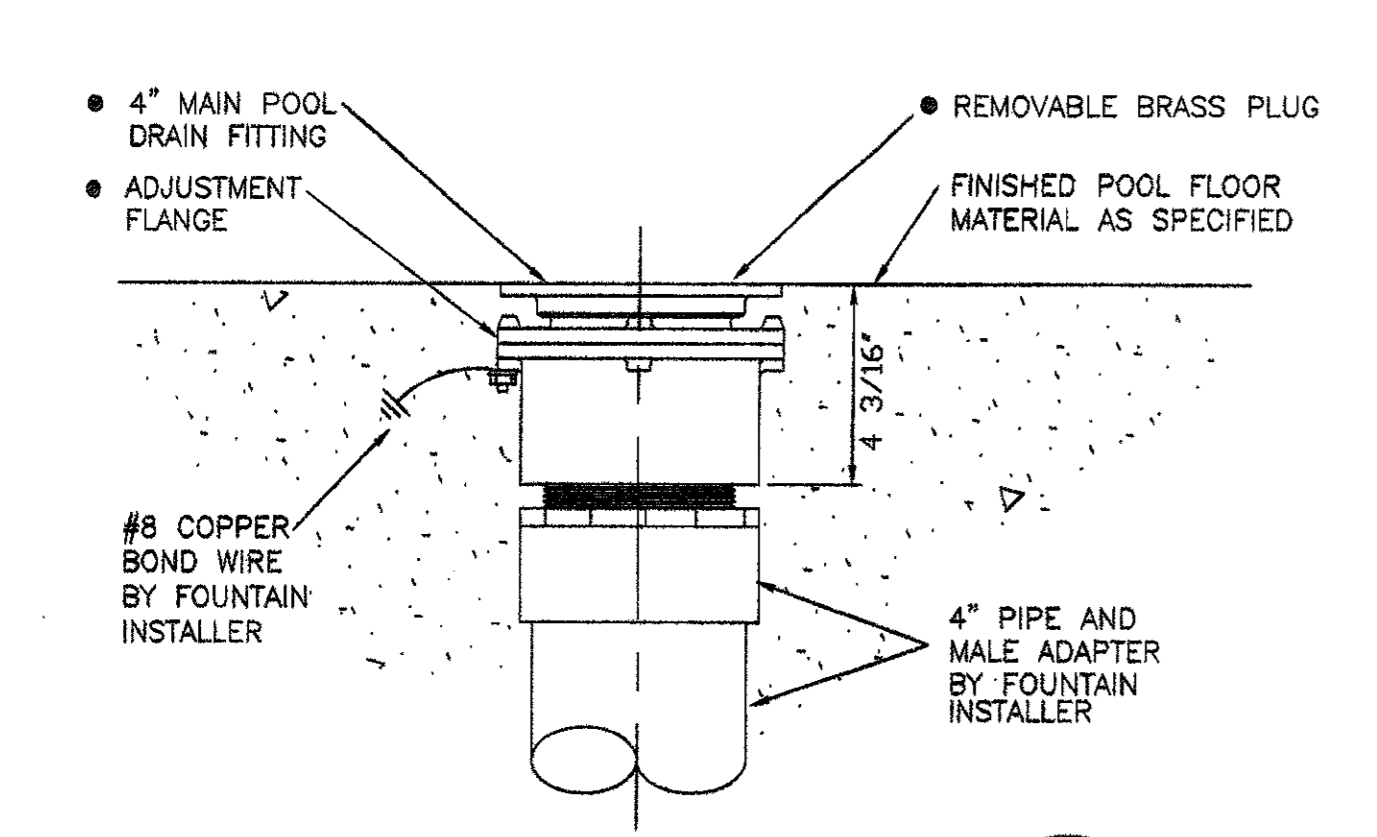
SURFACE SKIMMER
 SCALE: 1 1/2\"/>



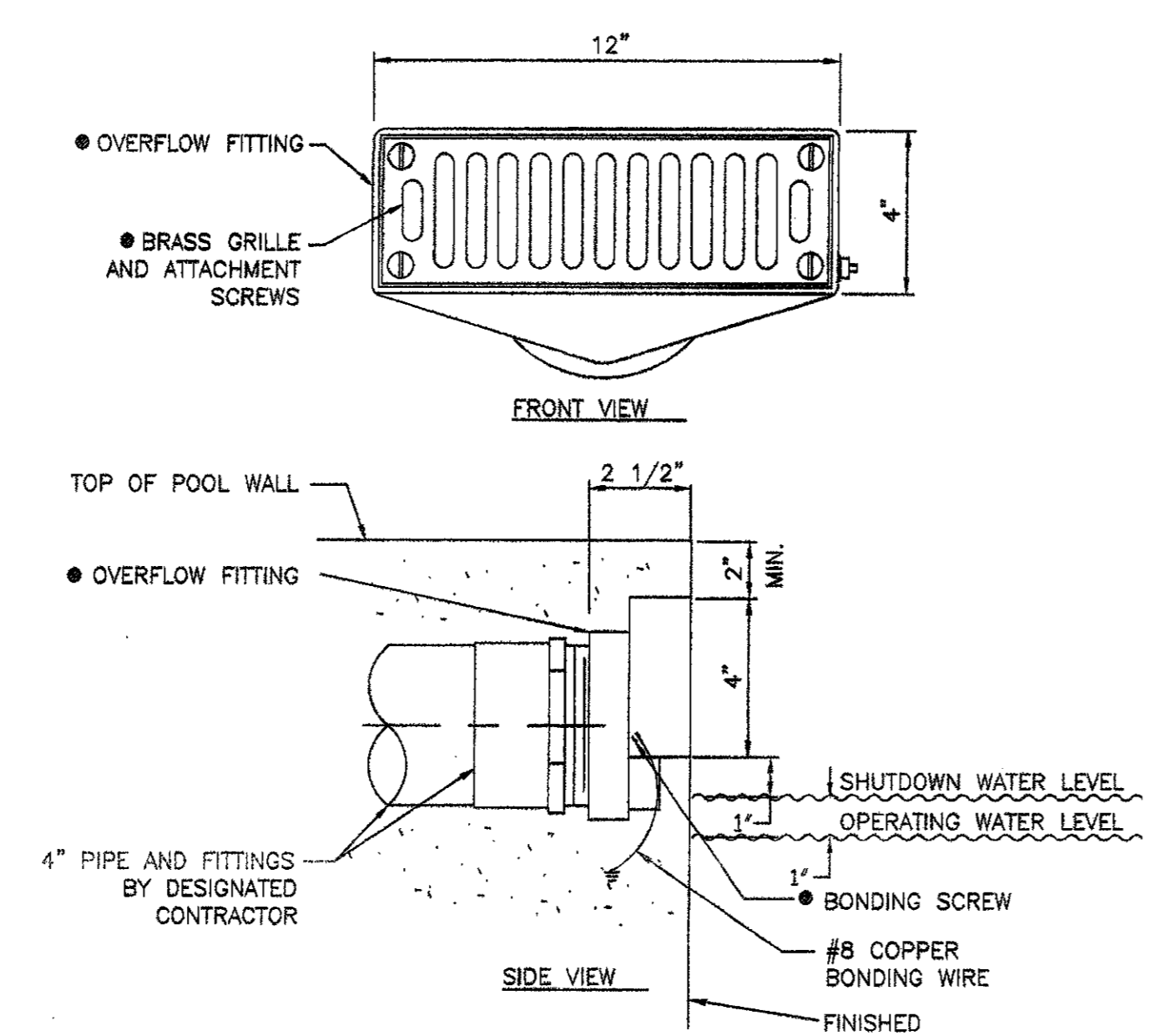
VACUUM FITTING
 SCALE: 1/2\"/>



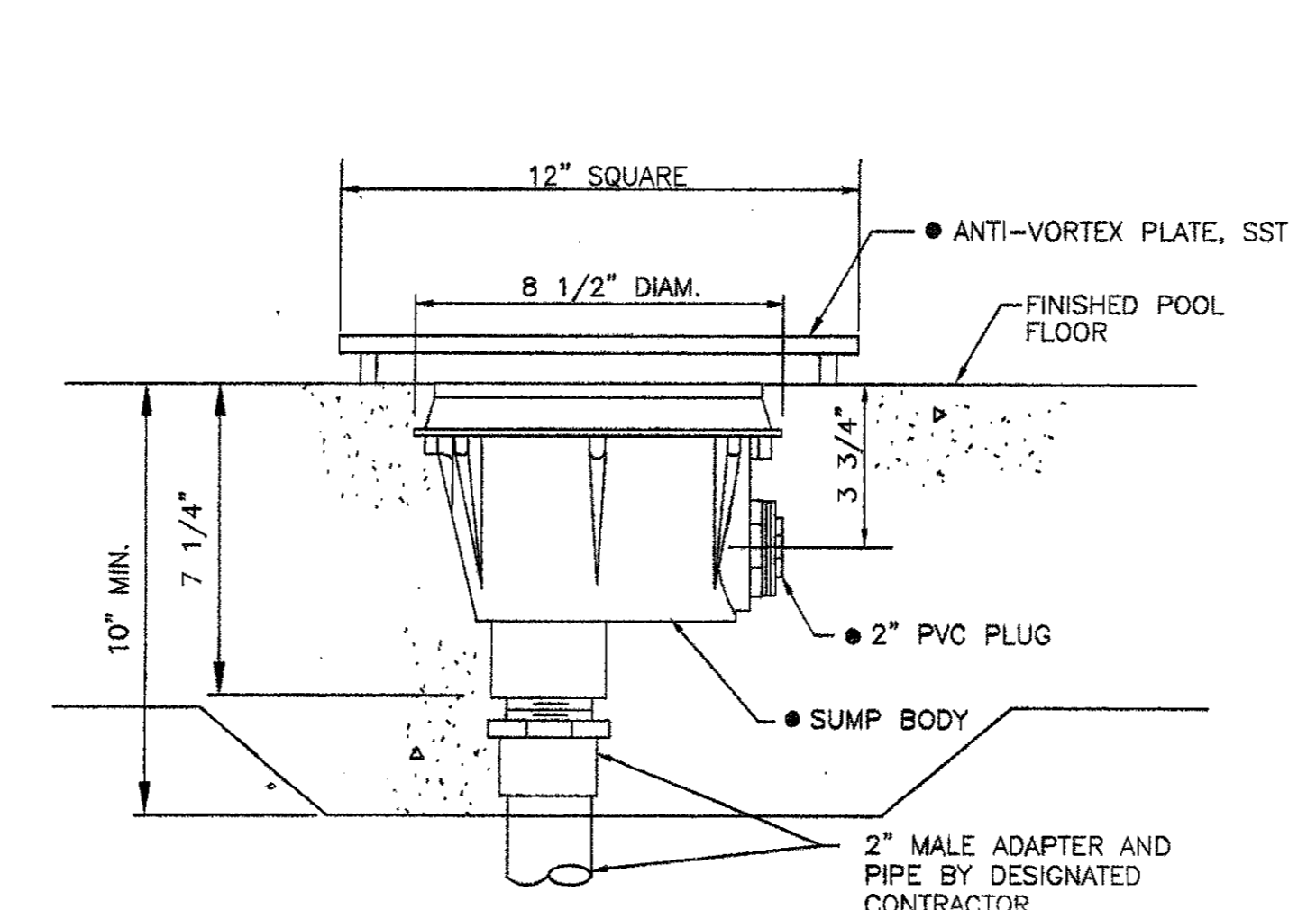
EYEBALL FITTING
 SCALE: 1/2\"/>



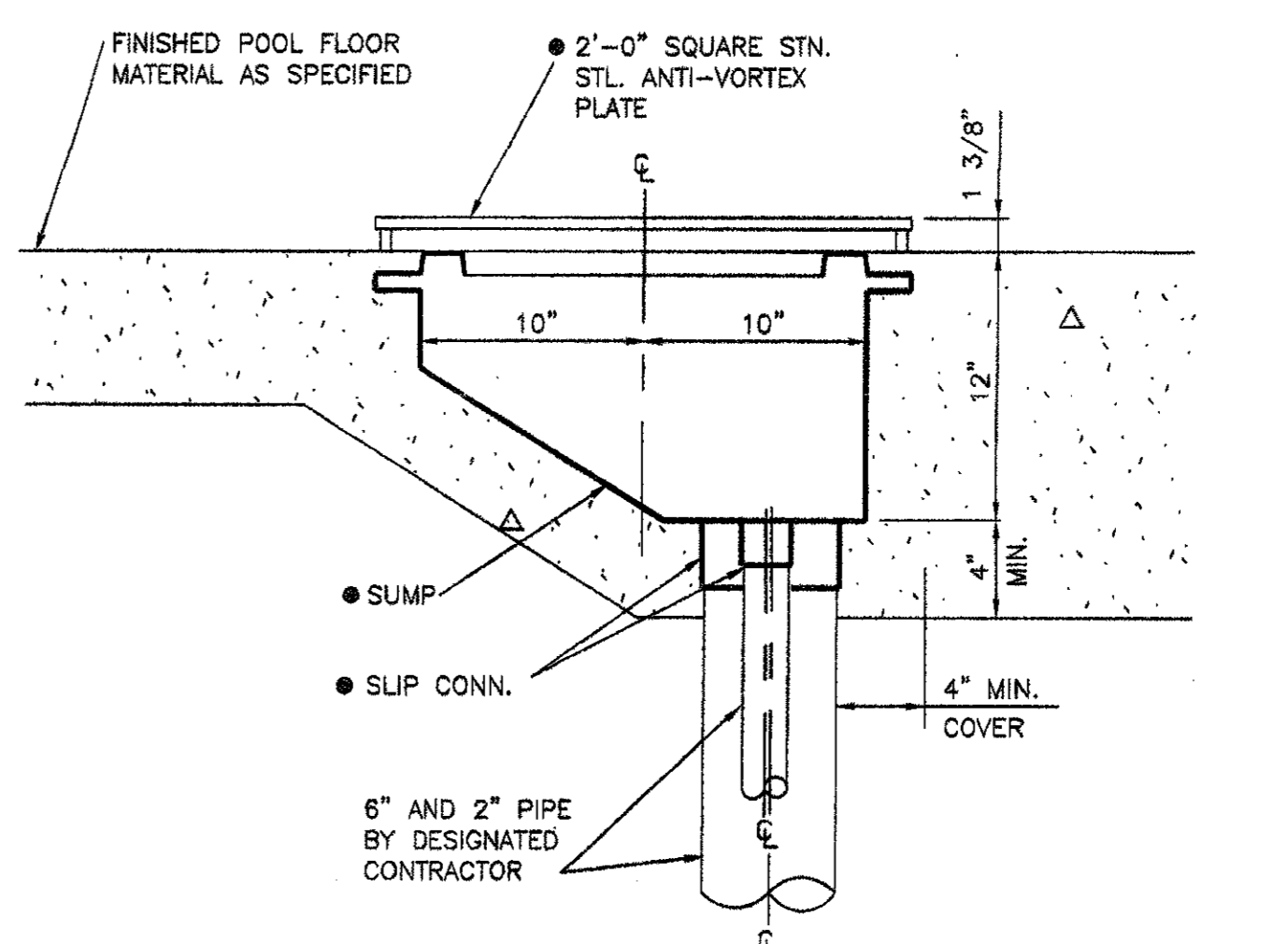
MAIN POOL DRAIN
 SCALE: 3\"/>



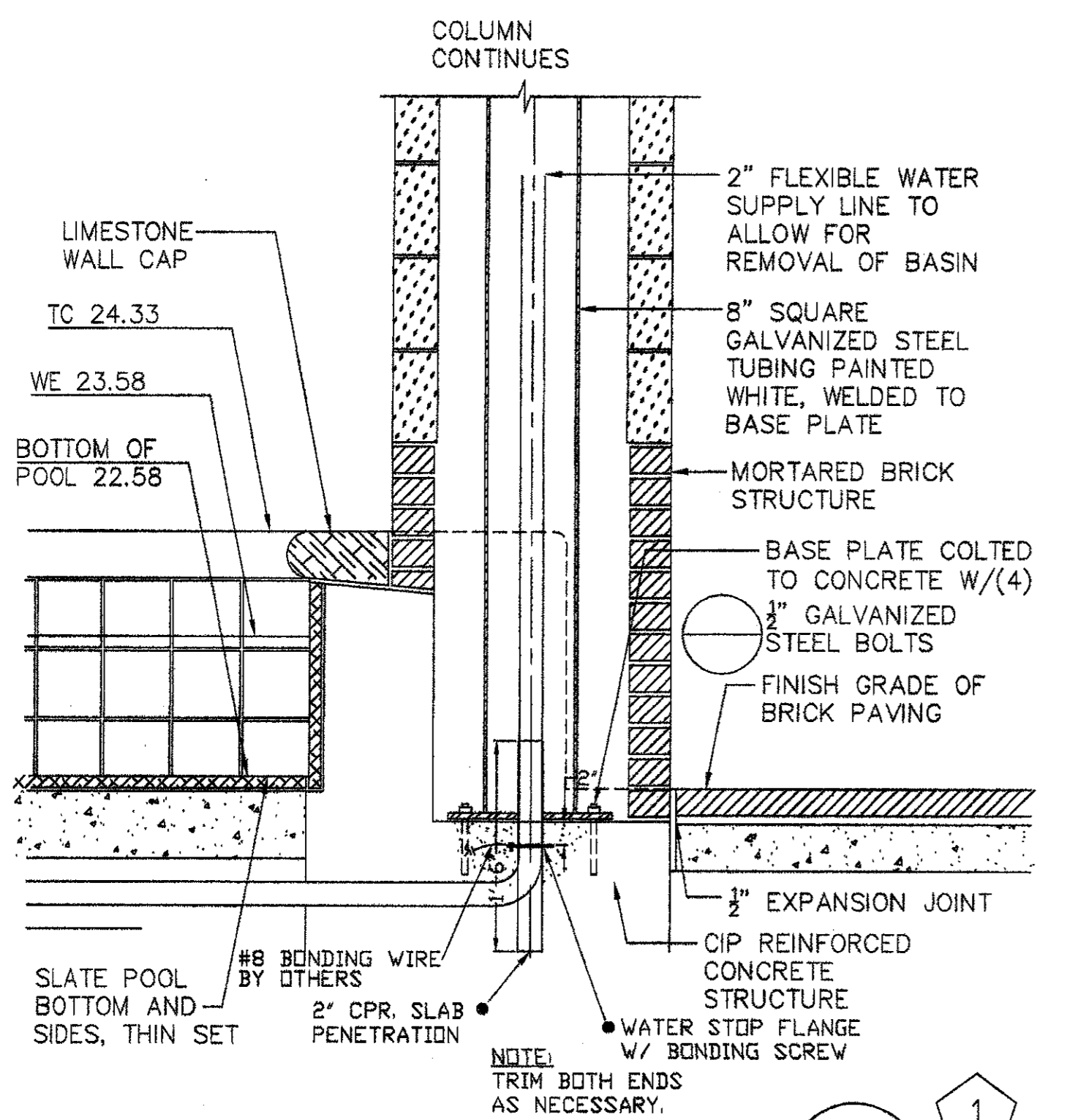
**4\"/>
 SCALE: 3\"/>**



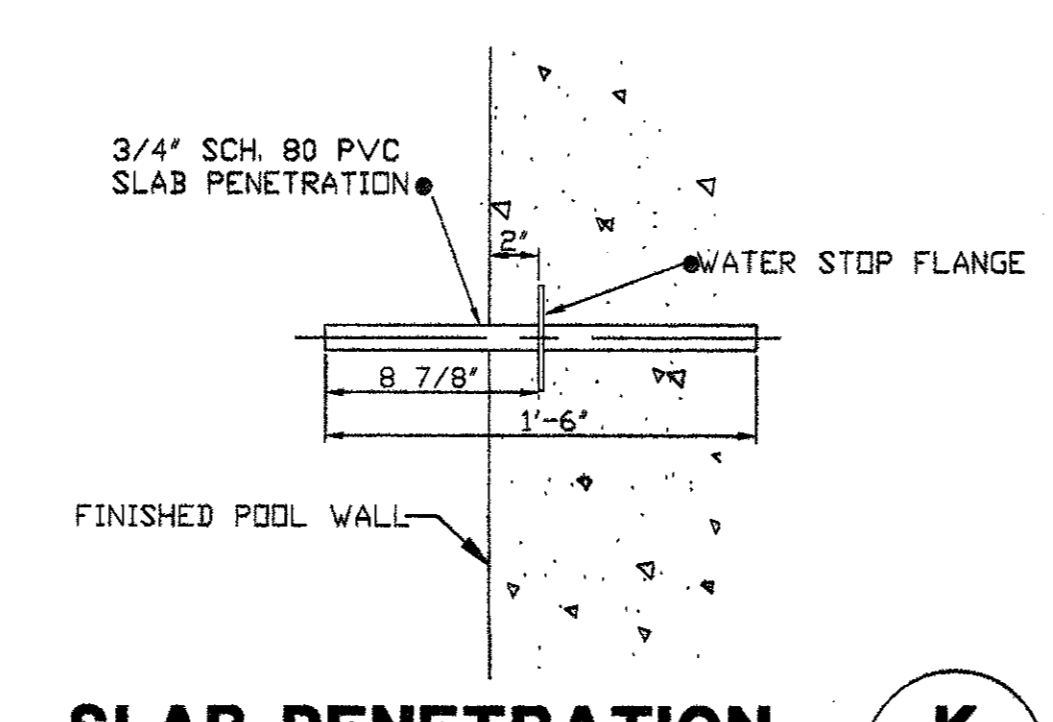
SMALL SUMP
 SCALE: 3\"/>



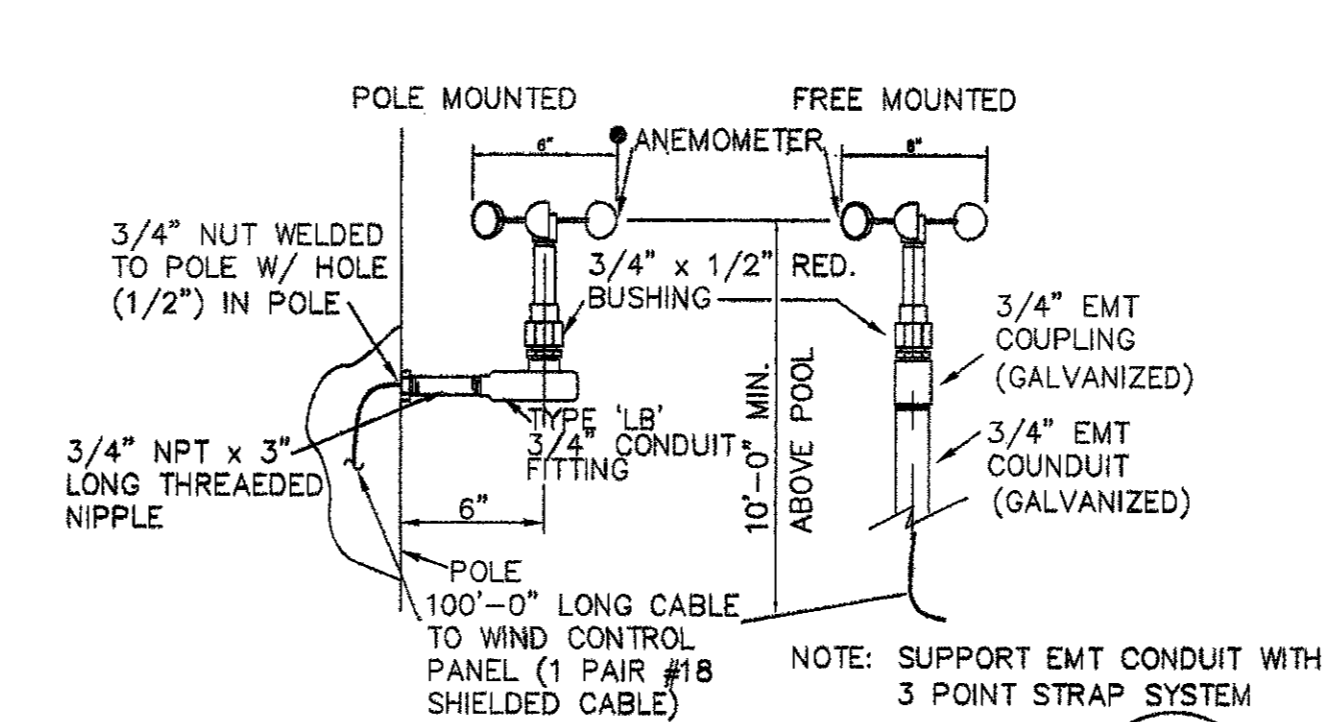
ABS SUCTION SUMP
 SCALE: 1 1/2\"/>



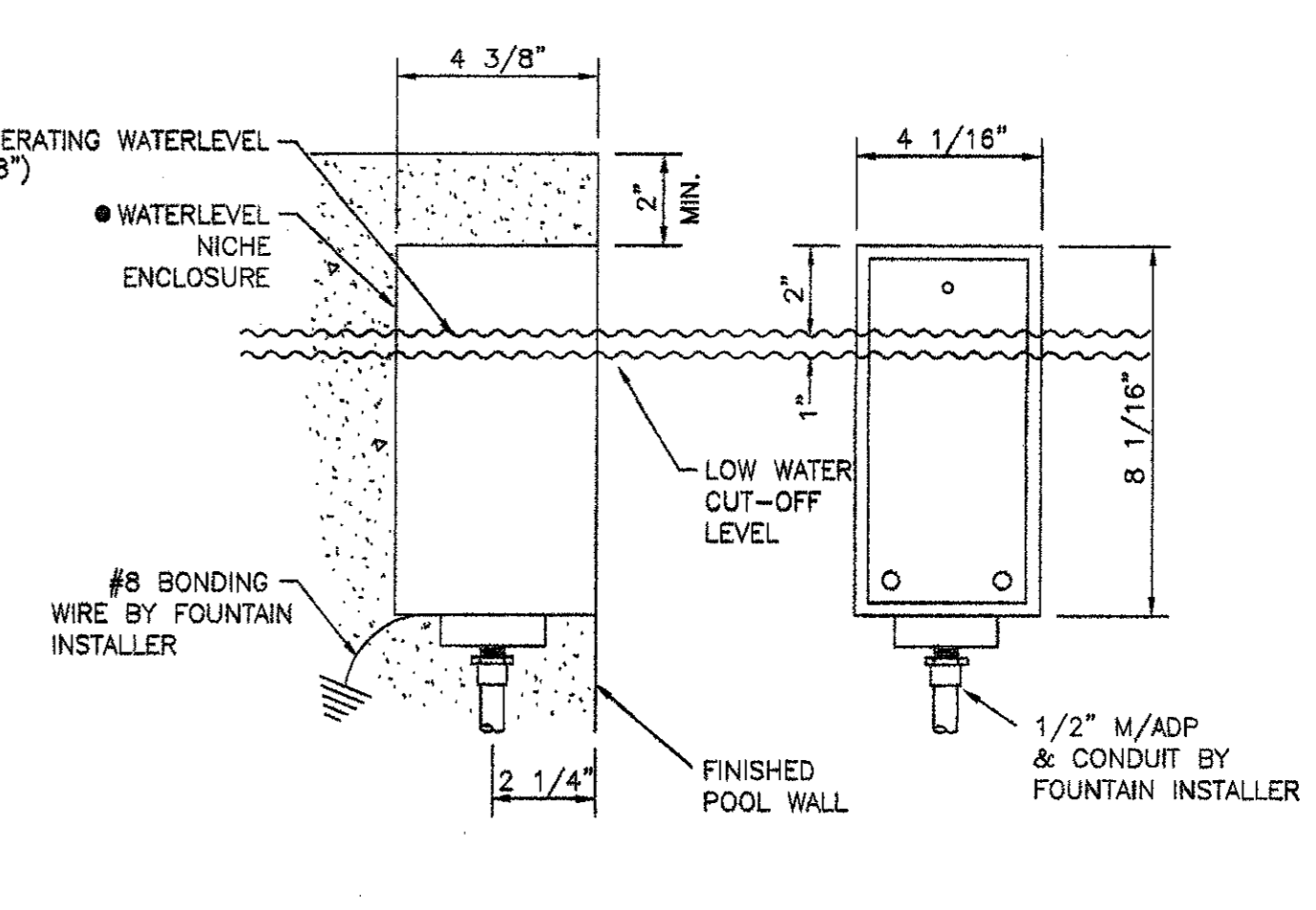
SLAB PENETRATION
 SCALE: 3\"/>



SLAB PENETRATION
 SCALE: 1 1/2\"/>



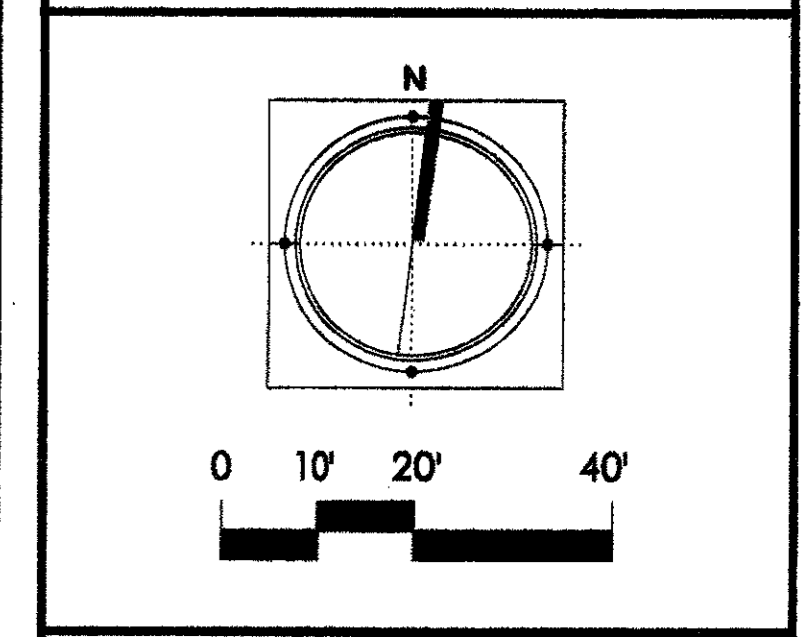
WIND CONTROL SYSTEM
 SCALE: 1 1/2\"/>



WATER LEVEL SENSOR
 SCALE: 3\"/>

ISSUED FOR CONSTRUCTION	09-30-02	
No.	Description	Date

DWG ISSUE & REVISION HISTORY	
Stamp	



Project Title:
ADDISON ARTS & EVENTS DISTRICT
 ADDISON, TEXAS

Drawing Title:
WATER GARDEN FOUNTAIN DETAILS

Project No. 14516.00 Scale: AS NOTED
 Drawn By:
 Checked By:
 Approved By:
 Date: September 30, 2002

Drawing No. **F1-4**