

**ADDISON CIRCLE ARTS (D)**  
 PLAZA INTERACTIVE MIST AND JET WATER FEATURE  
 EQUIPMENT LIST

SYMB	DETAIL	QTY	DESCRIPTION	9
1	A-F2-5 GEFCO SELECT #EE112-20 INDEPENDENT AERATING JET: 3/16" NOZZLE SIZE, 2" FEMALE NPT. CONNECTION.	9		9
2	A-F2-5 GEFCO CUSTOM FLOW STRAIGHTENER.	9		9
3	A-F2-5 GEFCO CUSTOM AERATION JET SLEEVE CAN: 2" NPT. FEMALE BOTTOM CONN., 2" NPT. FEMALE SIDE CONN.	9		9
4	B-F2-5 GEFCO SELECT #EE122-C-35W MISTING JET: 1/2" MALE NPT. CONNECTION.	24		24
5	B-F2-5 GEFCO CUSTOM FLOW STRAIGHTENER.	24		24
6	B-F2-5 GEFCO CUSTOM MISTING JET SLEEVE CAN: 1/2" NPT. FEMALE BOTTOM CONN., 1" NPT. FEMALE SIDE CONN.	24		24
7	A-F2-5 GEFCO SELECT #EE137-20 ADJUSTMENT FLANGE: 2" MALE AND FEMALE NPT. CONN., 8" ADJ.	9		9
8	C-F2-5 GEFCO #PE100-1 SURFACE SKIMMER: 1-1/2" N.P.T. FEMALE CONNECTION.	1		1
9	D-F2-5 GEFCO #PE101 VACUUM FITTING: 2" N.P.S. FEMALE CONNECTION.	1		1
10	E-F2-5 GEFCO #PE102 EYEBALL FITTING: 1" ORPICE SIZE, 2" N.P.S. FEMALE CONNECTION.	1		1
11	F-F2-5 GEFCO #PE105-4 WALL NICHE AIR VENTS: 4" FEMALE NPT. CONNECTION.	6		6
12	G-F2-5 GEFCO #PE104-4 MAIN POOL DRAIN: 4" FEMALE NPT. CONNECTION.	1		1
13	H-F2-5 GEFCO #PE109-40P SLAB PENETRATION: 4" DIA. X 18" LONG SCH. 80 PVC. PIPE W/ PVC WATERSTOP FLANGE.	8		8
14	H-F2-5 GEFCO #PE109-60P SLAB PENETRATION: 6" DIA. X 24" LONG SCH. 80 PVC. PIPE W/ PVC. WATERSTOP FLANGE.	2		2
15	H-F2-5 GEFCO #PE109-20P SLAB PENETRATION: 2" DIA. X 18" LONG SCH. 80 PVC. PIPE W/ PVC. WATERSTOP FLANGE.	2		2
16	X GEFCO #EE111 MAINTENANCE KIT.	1		1
17	J-F2-5 GEFCO #EE114A ANEMOMETER: 3/4" FEMALE NPT. CONNECTION.	1		1
18	K-F2-5 GEFCO SELECT #EE131B DUAL WATER LEVEL SENSOR: 3/4" NPT. BTM. CONNECTION.	1		1
19	X GEFCO #SK115 PUMPING SKID: 2'-0" X 6'-0" PAD, FACTORY TESTED AND PREASSEMBLED.	1		1
20	X GEFCO SELECT #PM212-15 DISPLAY PUMP: 15 HP, 854 GPM AT 70 FH, 208 V. 3# 1750 RPM, 60 HZ.	1		1
21	X GEFCO #SK103-200 PUMPING SKID: 4'-0" X 5'-0" PAD, FACTORY TESTED AND PREASSEMBLED.	1		1
22	X GEFCO SELECT #PM113 FILTER PUMP: 3 HP, 120 GPM. AT 85 FH, 208V, 3#, 3450 RPM, 60HZ.	1		1
23	X GEFCO #PM900-100C CARTRIDGE FILTER ASSEMBLY: 100 SQ. FT. FILTER W/ 100 SQ. FT. REPLACEMENT FILTER.	2		2
24	X GEFCO #SK103-150 PUMPING SKID: 4'-0" X 6'-0" PAD, FACTORY TESTED AND PREASSEMBLED.	1		1
25	X GEFCO SELECT #PM112 FILTER PUMP: 3 HP, 100 GPM. AT 85 FH, 208V, 3#, 3450 RPM, 60HZ.	1		1
26	X GEFCO SELECT #PM900-150C CARTRIDGE FILTER ASSEMBLY: 150 SQ. FT. FILTER W/ 150 SQ. FT. REPLACEMENT FILTER.	1		1
27	X GEFCO #PM800-15 WATER CONTROL MANIFOLD: AUTOMATIC FILL/LEVEL CONTROL MANIFOLD.	1		1
28	X GEFCO SELECT #M1725 BROMINATOR WITH FLOW INDICATOR: 1-1/2" NPT. CONNECTION.	1		1
29	X GEFCO SELECT #M1750PH/ORP EROSION CONTROLLER.	1		1
30	X GEFCO SELECT LIGHTING TRANSFORMER: 5 KVA, 120 PRM., 16/32 SEC.	1		1
31	L-F2-5 GEFCO SELECT EE138-4 DECK BOX: (4) 3/4" NPT. 5/7" CONNECTION, (1) NPT. SIDE CONDUIT CONNECTION.	6		6
32	L-F2-5 GEFCO SELECT EE138-3 DECK BOX: (3) 3/4" NPT. 5/7" CONNECTION, (1) NPT. SIDE CONDUIT CONNECTION.	4		4
33	L-F2-5 GEFCO SELECT EE138-2 DECK BOX: (2) 3/4" NPT. 5/7" CONNECTION, (1) NPT. SIDE CONDUIT CONNECTION.	4		4
34	L-F2-5 GEFCO SELECT EE137-4 JUNCTION BOX COORD. SEALS: 5 KVA, 120 PRM., 16/32 SEC.	47		47
35	X PLAZA NICHE LIGHTS BY DESIGNATED CONTRACTOR	46		46
36	X	1		1
37	X ABB #ACS401-600-30/2 VARIABLE FREQUENCY DRIVE: 208V, 3#, FOR 15 HP PUMP.	1		1
38	X ABB #ACS401-600-30/2 VARIABLE FREQUENCY DRIVE: 208V, 3#, FOR 3 HP PUMP.	1		1
39	F-F2-5 GEFCO #PE105-4 WALL NICHE OVERFLOW: 4" FEMALE NPT. CONNECTION.	1		1
40	L-F2-5 GEFCO SELECT EE138-1 DECK BOX: (1) 3/4" NPT. 5/7" CONNECTION, (1) NPT. SIDE CONDUIT CONNECTION.	1		1
41	X LOWER POOL LIGHT BY DESIGNATED CONTRACTOR	1		1
42	X GEFCO SELECT LIGHTING PANEL: 225 MAIN BUS+BREAKER, 12 SPACE, 240/120V, 2POLE.	1		1
43	X GEFCO SELECT E/STOP: START/STOP PUSH BUTTON STATION.	1		1

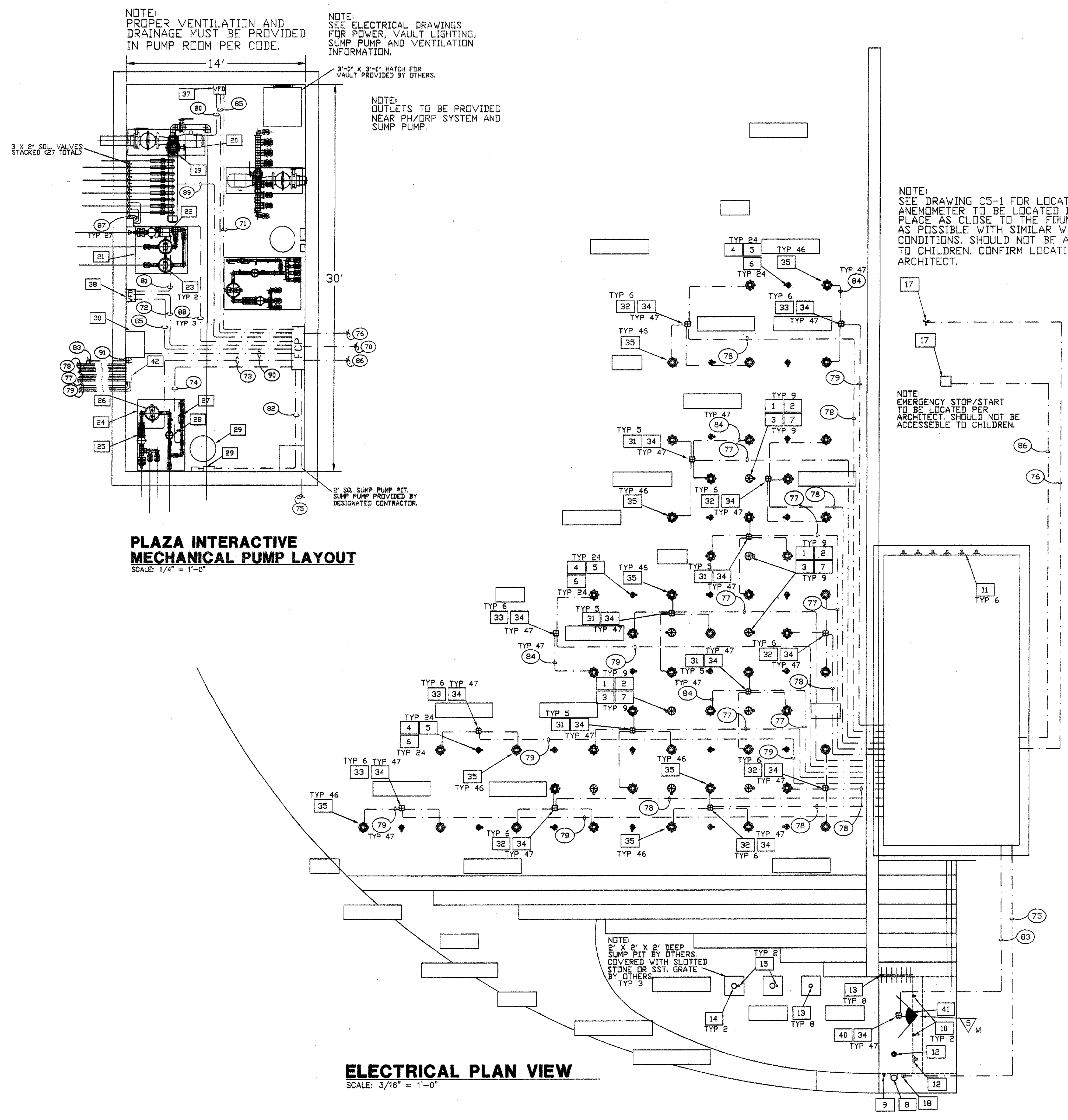
**PIPING**

50	1 1/2" INCOMING SUPPLY WATER LINE (50 PSI MAXIMUM)	1
51	8" DISPLAY PUMP SUCTION FROM SUMPS	1
52	3" "A" SERIES FILTER PUMP SUCTION FROM SUMPS	1
53	4" "L" SERIES FILTER PUMP SUCTION FROM SUMP	1
54	2" FILTER PUMP SUCTION FROM SURFACE SKIMMER	1
55	2" FILTER PUMP SUCTION FROM VACUUM FITTING	1
56	2" DISCHARGE TO AERATION JETS	9
57	2" FILTER RETURN TO MIST JETS	2
58	2" FILL/FILTER RETURN TO EYEBALL FITTINGS	1
59	4" DRAIN LINE TO COLLECTING POOL	6
60	4" DRAIN LINE (SEE 04-2)	1
61	4" VENT LINE	6
62	4" DUMP LINE TO STORM DRAIN	1
63	4" OVERFLOW DRAIN LINE TO 4" MAIN DRAIN LINE	1

**CONDUITS**

70	2 1/2" INCOMING POWER 120/208V 3# 225A (44/0+1#30)	1
71	1" CONDUIT FROM CONTROL PANEL TO VFD FOR 15HP DISPLAY PUMP (3#5+1#80) (VA VFD)	1
72	3/4" CONDUIT FROM CONTROL PANEL TO VFD FOR 3HP L SERIES FILTER PUMP (3#12+1#80) (VA VFD)	1
73	1/2" CONDUIT FROM CONTROL PANEL TO 3HP A SERIES FILTER PUMP (3#14+1#80)	1
74	1/2" CONDUIT FROM CONTROL PANEL TO FILL VALVE (2#18+1#180)	1
75	3/4" CONDUIT FROM CONTROL PANEL TO WATER LEVEL SENSOR (2#18+1#180)	1
76	3/4" CONDUIT FROM CONTROL PANEL TO ANEMOMETER (1 PAIR #18 SHIELDED CABLE)	1
77	3/4" CONDUIT FROM LIGHTING PANEL TO DECK BOX (LIGHTS 4 X 75W) (4#10+1#100)	5
78	3/4" CONDUIT FROM LIGHTING PANEL TO DECK BOX (LIGHTS 3 X 75W) (2#10+1#100)	8
79	3/4" CONDUIT FROM LIGHTING PANEL TO DECK BOX (LIGHTS 2 X 75W) (2#10+1#100)	4
80	1" CONDUIT FROM VFD TO 15HP DISPLAY PUMP (3#5+1#80)	1
81	3/4" CONDUIT FROM VFD TO 3HP L SERIES FILTER PUMP (3#12+1#80)	1
82	1/2" CONDUIT FROM CONTROL PANEL TO PH/ORP EROSION CONTROLLER (2#14+1#40)	1
83	3/4" CONDUIT FROM LIGHTING PANEL TO DECK BOX (LIGHT BY OTHERS) (1 X 300W) (2#10+1#100)	1
84	3/4" CONDUIT FROM LIGHT FUTURE TO DECK BOX (LIGHT CABLE)	47
85	1/2" CONDUIT FROM CONTROL PANEL TO VFD (2#18+1#180)	2
86	3/4" CONDUIT FROM CONTROL PANEL TO E/STOP/START/STOP STATION (2#18+1#180)	27
87	1/2" CONDUIT FROM PULL BOXES TO CONTROL VALVES (2#18)	3
88	1" CONDUIT FROM CONTROL PANEL TO VALVE PULL BOXES (1#18+1#180)	1
89	1/2" CONDUIT FROM VFD TO PRESSURE SENSOR ON 15HP PUMP MANIFOLD (1 PAIR #18 GAUGE SHIELDED CABLE)	1
90	1" CONDUIT FROM CONTROL PANEL TO 5 KVA TRANSFORMER (3#8+0+1#30)	1
91	2" CONDUIT FROM 5 KVA TRANSFORMER TO LIGHTING PANEL (3#4+0+1#30)	1

NOTE:  
 CONTROL PANEL COMMON  
 TO EACH FOUNTAIN



NOTE:  
 PROPER VENTILATION AND  
 DRAINAGE MUST BE PROVIDED  
 IN PUMP ROOM PER CODE.

NOTE:  
 SEE ELECTRICAL DRAWINGS  
 FOR POWER, VAULT LIGHTING,  
 SUMP PUMP AND VENTILATION  
 INFORMATION.

NOTE:  
 OUTLETS TO BE PROVIDED  
 NEAR PH/ORP SYSTEM AND  
 SUMP PUMP.

NOTE:  
 SEE DRAWING C5-1 FOR LOCATION.  
 ANEMOMETER TO BE LOCATED IN  
 PLACE AS CLOSE TO THE FOUNTAIN  
 AS POSSIBLE WITH SIMILAR WIND  
 CONDITIONS. SHOULD NOT BE ACCESSIBLE  
 TO CHILDREN. CONFIRM LOCATION WITH  
 ARCHITECT.

NOTE:  
 EMERGENCY STOP/START  
 TO BE LOCATED PER  
 ARCHITECT. SHOULD NOT BE  
 ACCESSIBLE TO CHILDREN.

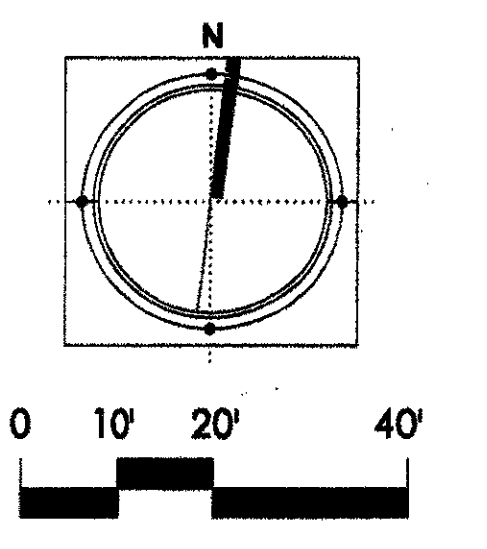
**PLAZA INTERACTIVE  
 MECHANICAL PUMP LAYOUT**  
 SCALE: 1/4" = 1'-0"

**ELECTRICAL PLAN VIEW**  
 SCALE: 3/16" = 1'-0"

No.	Description	Date
	ISSUED FOR CONSTRUCTION	09-30-02

DWG ISSUE & REVISION HISTORY

No.	Description	Date
	Stamp	



Project Title:  
**ADDISON ARTS &  
 EVENTS DISTRICT**  
 ADDISON, TEXAS

Drawing Title:  
**PLAZA FOUNTAIN  
 ELECTRICAL PLAN**

Project No. 14516.00 Scale: AS NOTED  
 Drawn By:  
 Checked By:  
 Approved By:  
 Date: September 30, 2002

Drawing No. **F2-4**