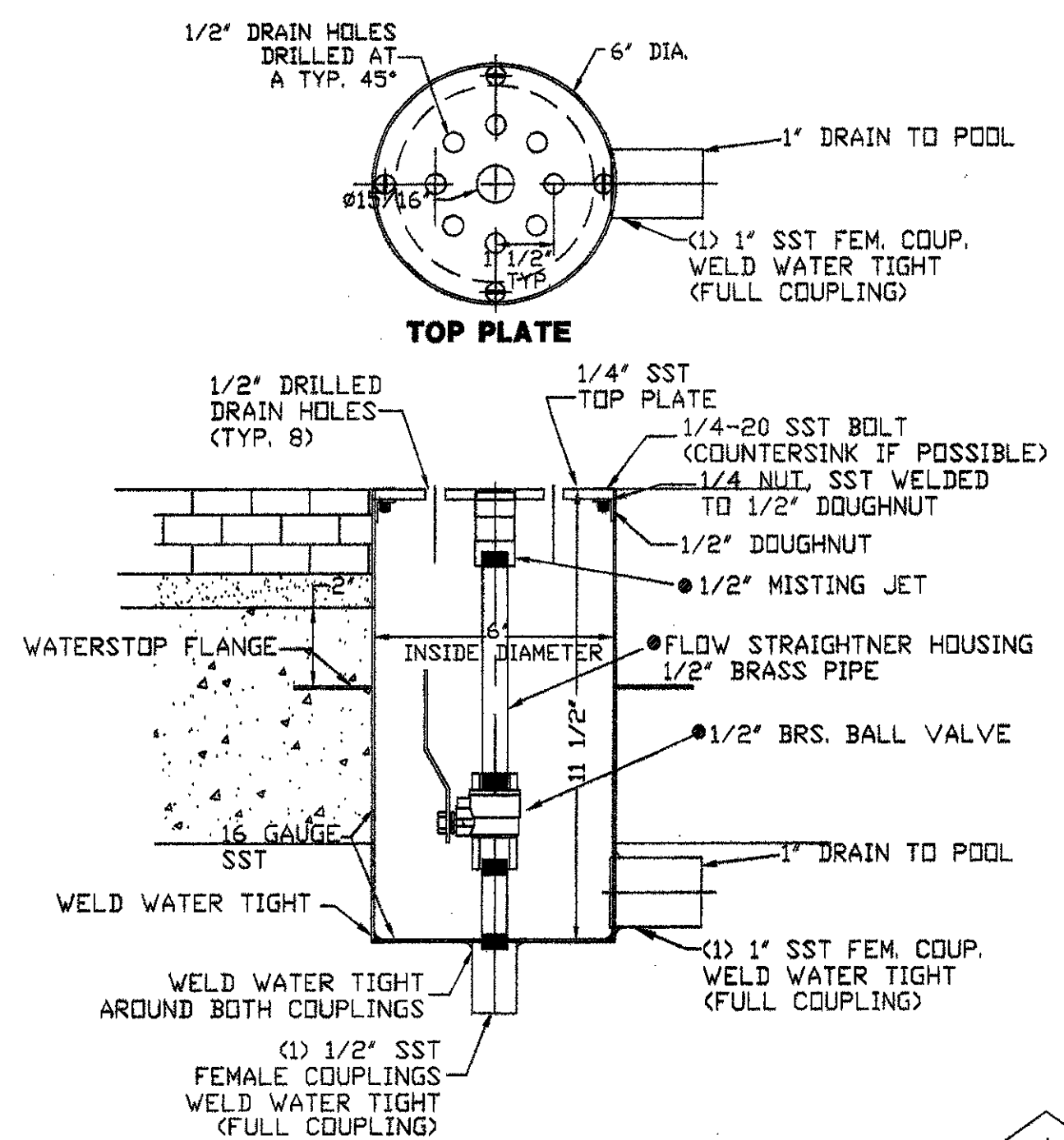
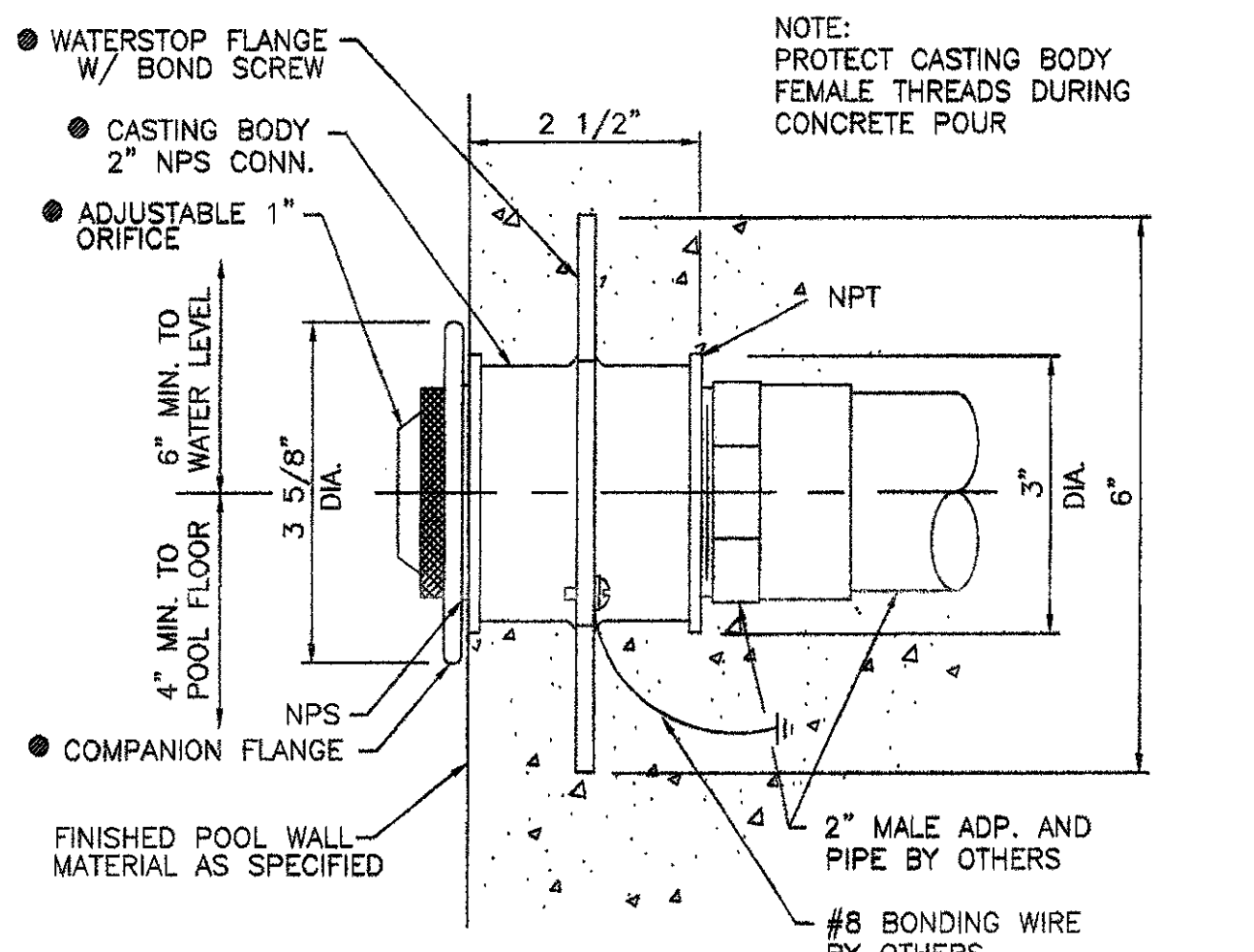


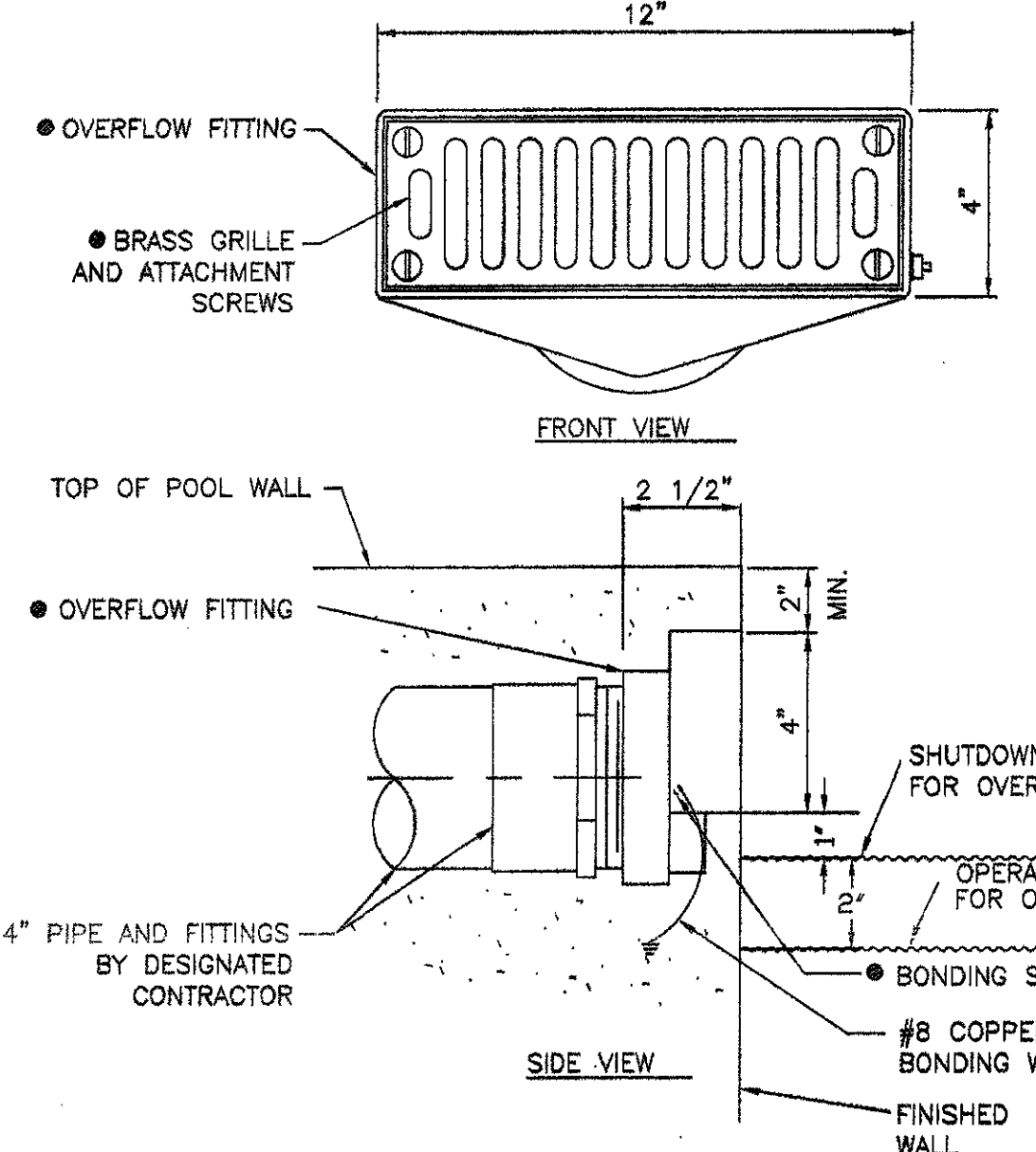
JET SLEEVE CAN & INDEPENDENT AERATING JET A
 SCALE: 3" = 1'-0"
 F2-5



JET SLEEVE CAN & MISTING JET B
 SCALE: 3" = 1'-0"
 F2-5



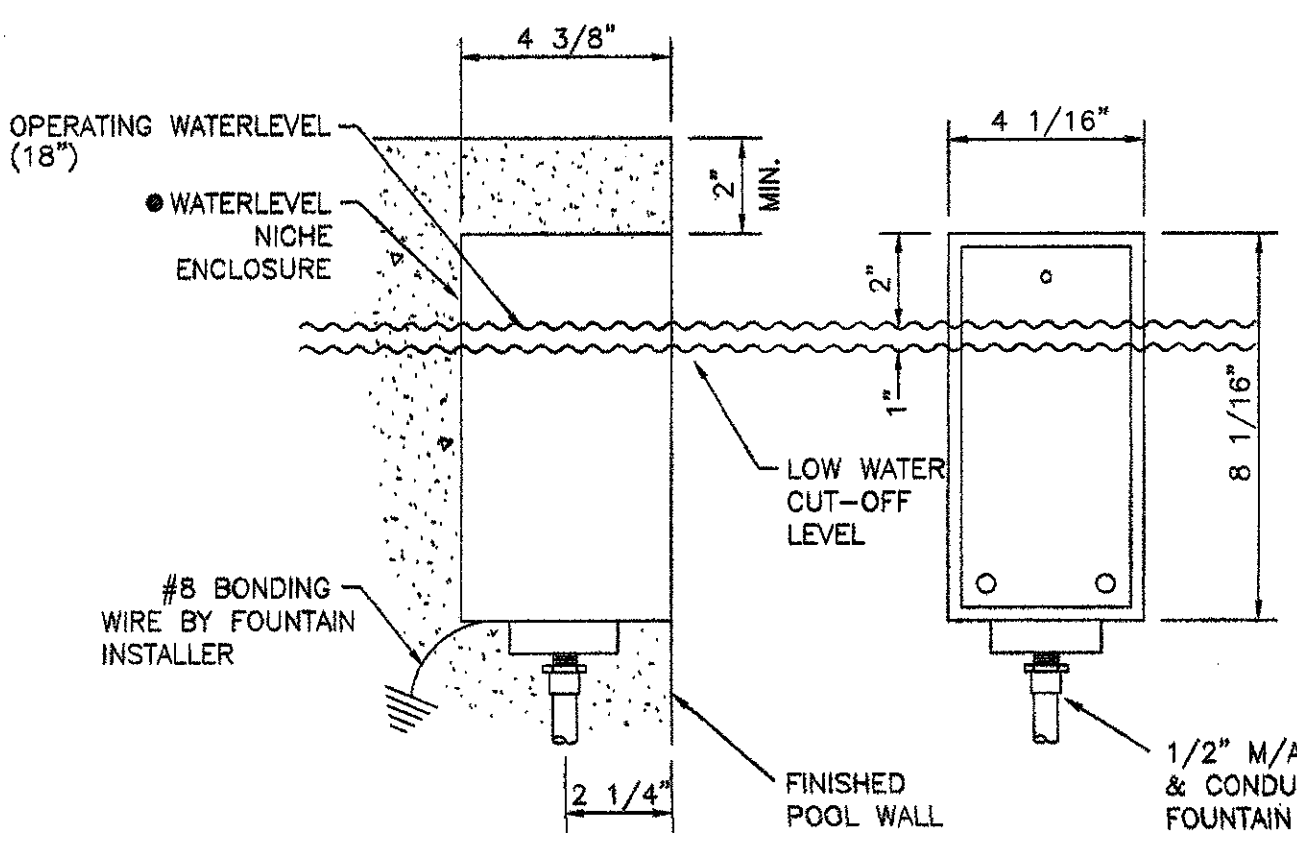
SURFACE SKIMMER C
 SCALE: 1 1/2" = 1'-0"
 F2-5



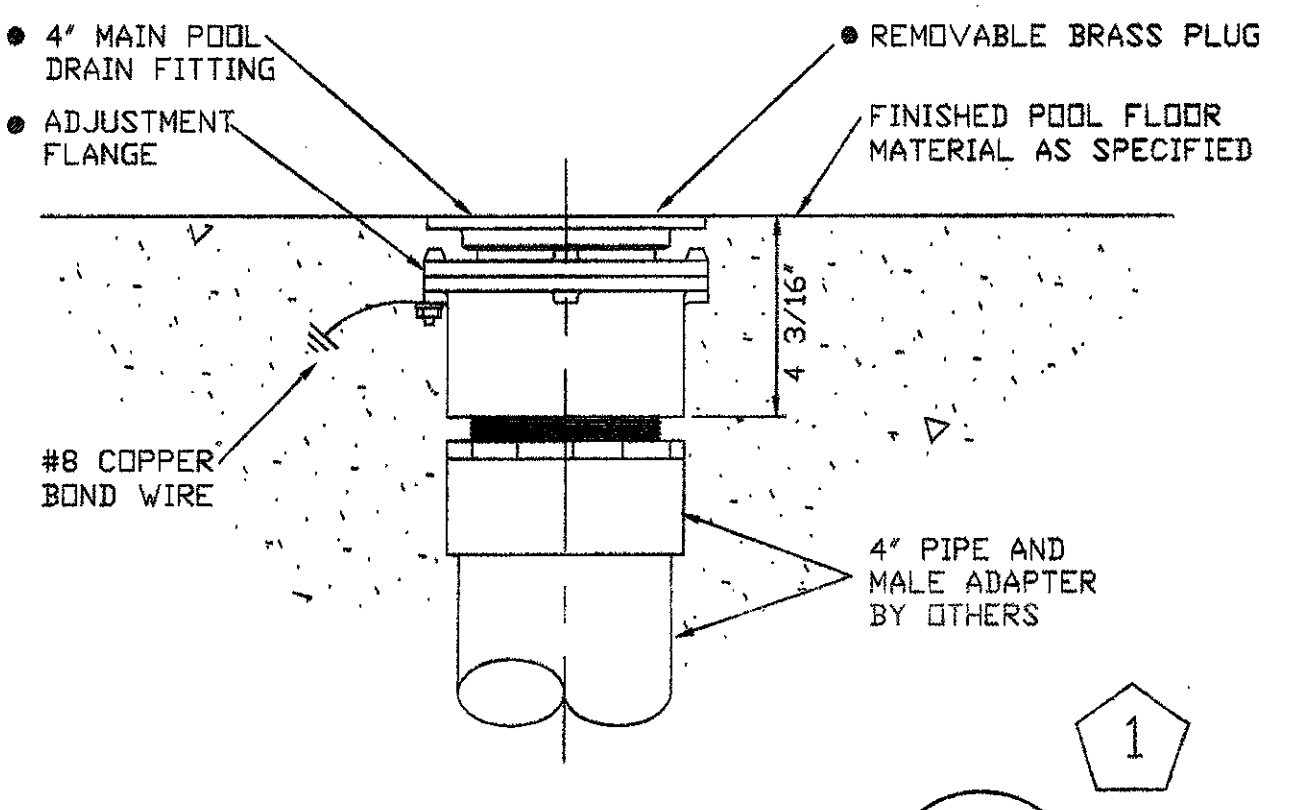
VACUUM FITTING D
 SCALE: 1/2" = 1"
 F2-5



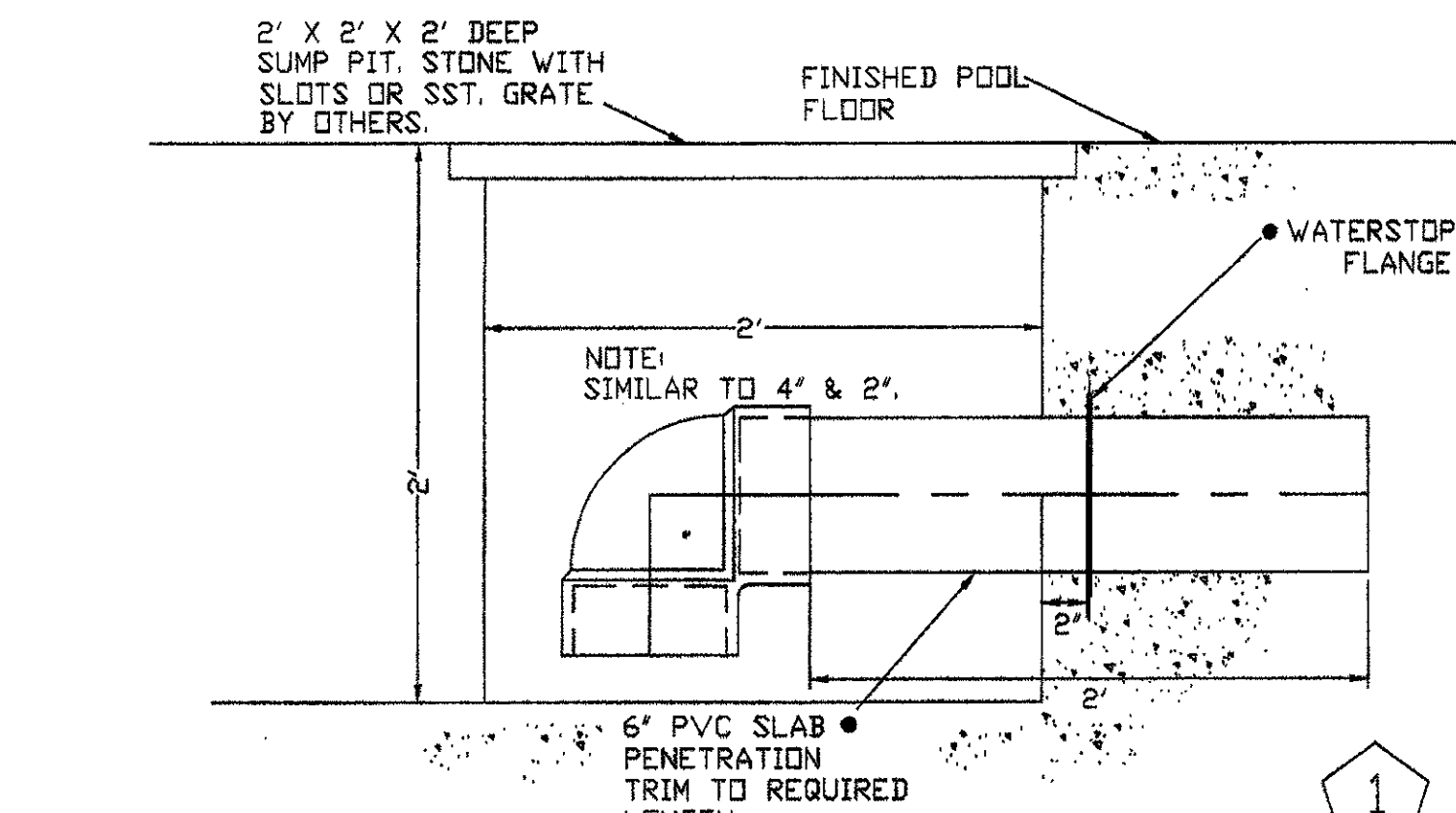
EYEBALL FITTING E
 SCALE: 1/2" = 1"
 F2-5



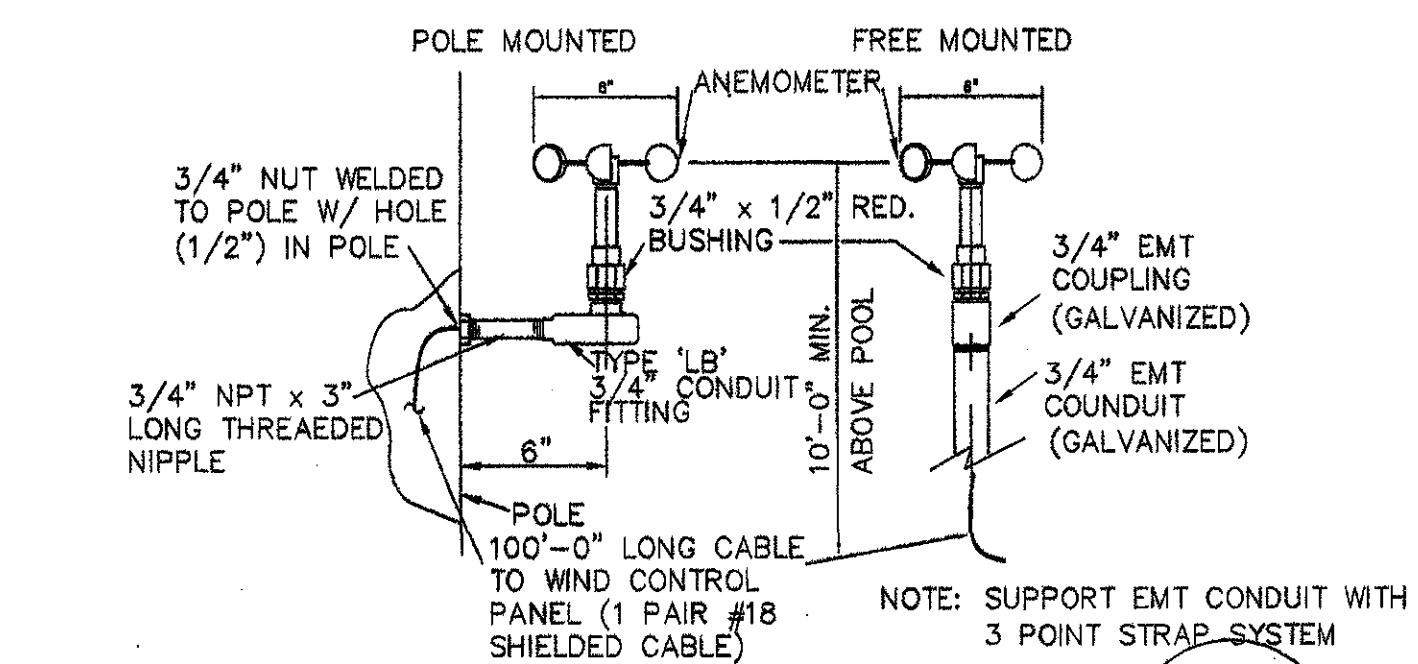
4" NICHE VENT & OVERFLOW FITTING F
 SCALE: 3" = 1'-0"
 F2-5



MAIN POOL DRAIN G
 SCALE: 3" = 1'-0"
 F2-5



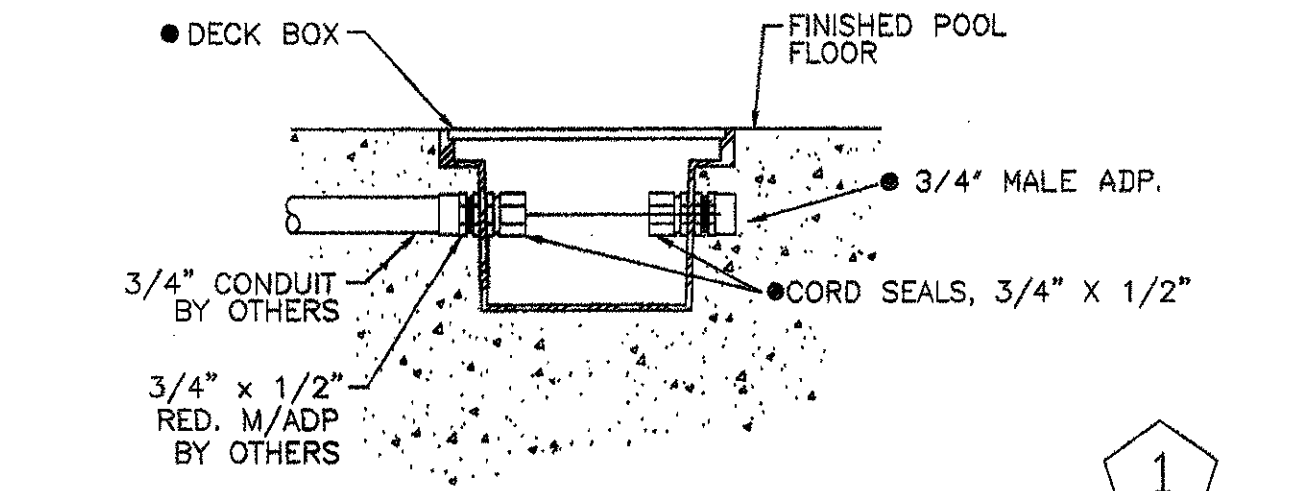
6" SLAB PENETRATION H
 SCALE: 1 1/2" = 1'-0"
 F2-5



WIND CONTROL SYSTEM I
 SCALE: 1 1/2" = 1'-0"
 F2-5

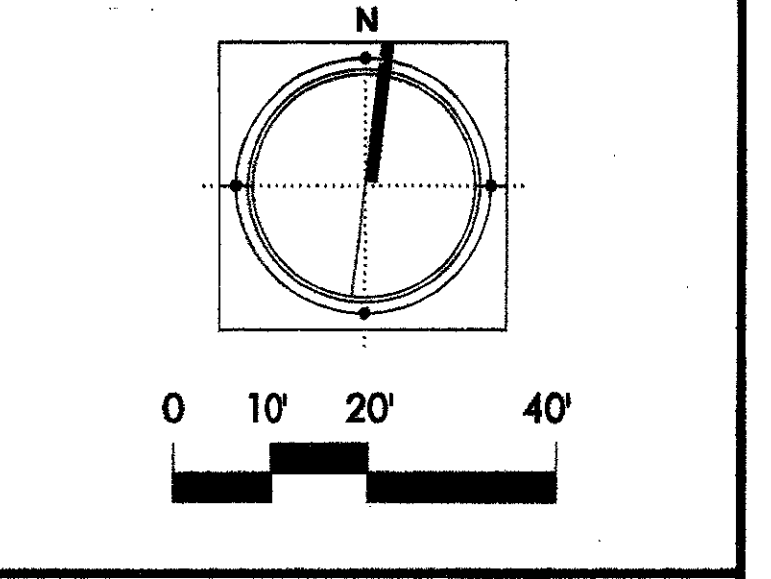
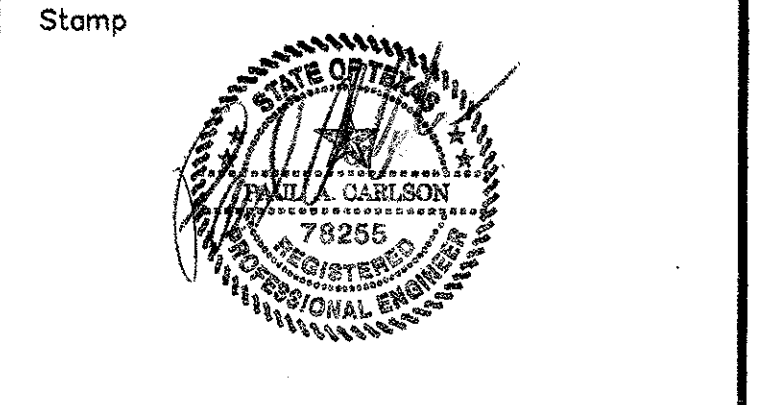


WATER LEVEL SENSOR J
 SCALE: 3" = 1'-0"
 F2-5



SUBMER. DECK BOX K
 SCALE: 3" = 1'-0"
 F2-5

ISSUED FOR CONSTRUCTION	09-30-02
No. Description	Date
DWG ISSUE & REVISION HISTORY	



Project Title:
ADDISON ARTS & EVENTS DISTRICT
 ADDISON, TEXAS

Drawing Title:
PLAZA FOUNTAIN
FOUNTAIN DETAILS

Project No. 14S16.00 Scale: AS NOTED
 Drawn By:
 Checked By:
 Approved By:
 Date: September 30, 2002

Drawing No. **F2-5**