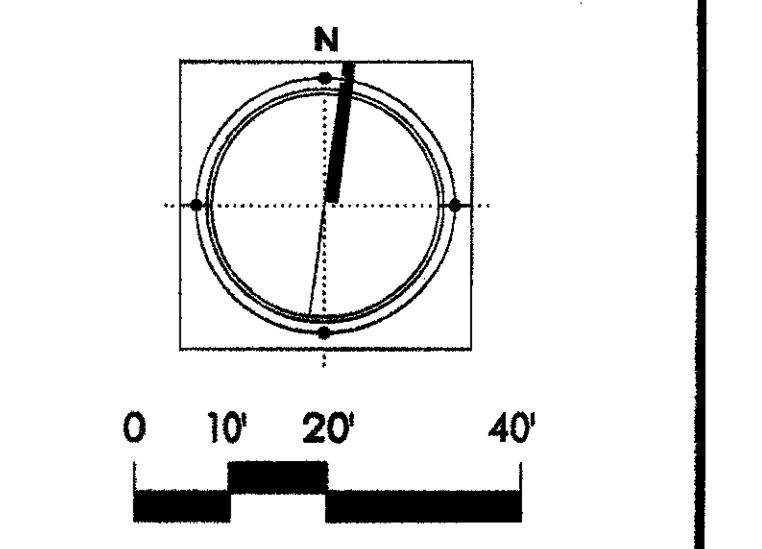


ISSUED FOR CONSTRUCTION	09-30-02	
No.	Description	Date

DWG ISSUE & REVISION HISTORY

Stamp



Project Title:
ADDISON ARTS & EVENTS DISTRICT
 ADDISON, TEXAS

Drawing Title:
WATER GARDEN & PLAZA FOUNTAIN ELECTRICAL DIAGRAM

Project No. 14516.00 Scale: NONE
 Drawn By: JAL
 Checked By: MSF
 Approved By:
 Date: September 30, 2002

Drawing No. **FE1-1**