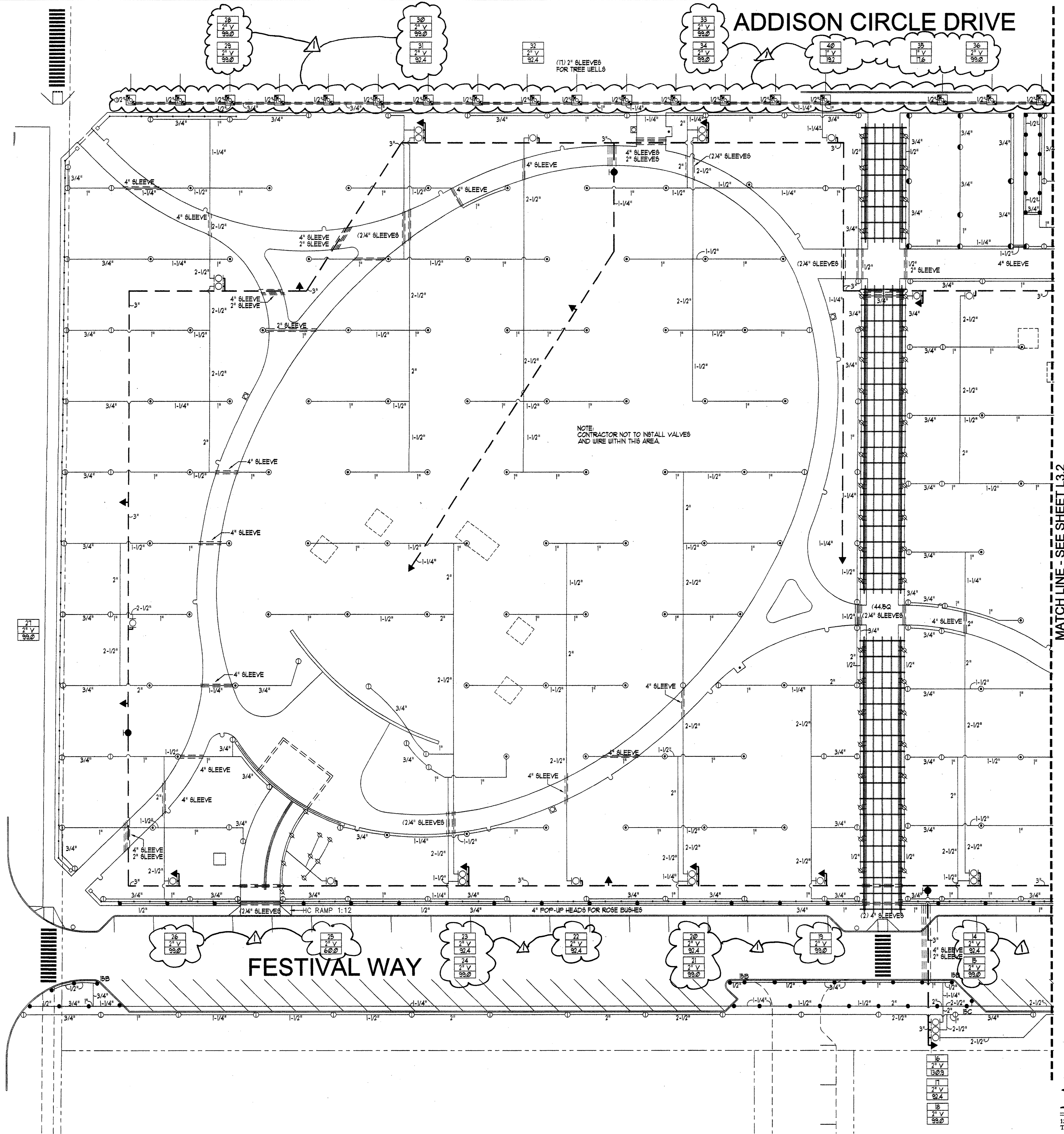


ADDISON ROAD

ADDISON CIRCLE DRIVE



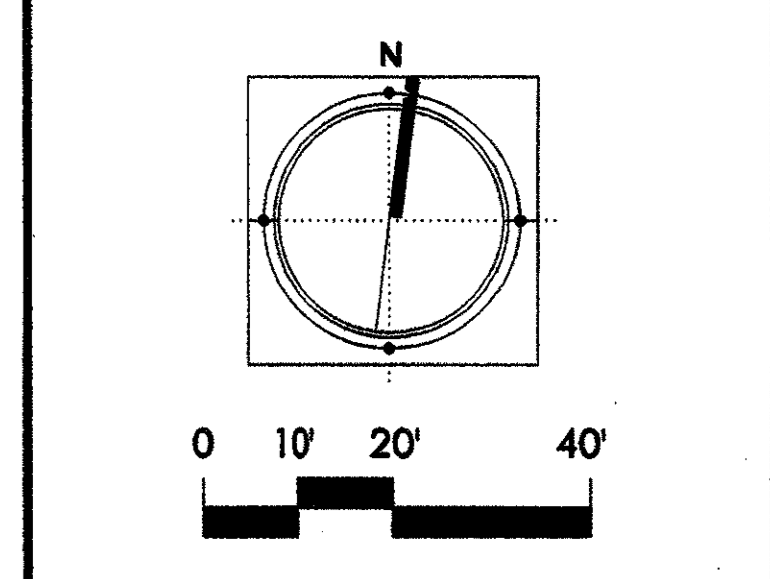
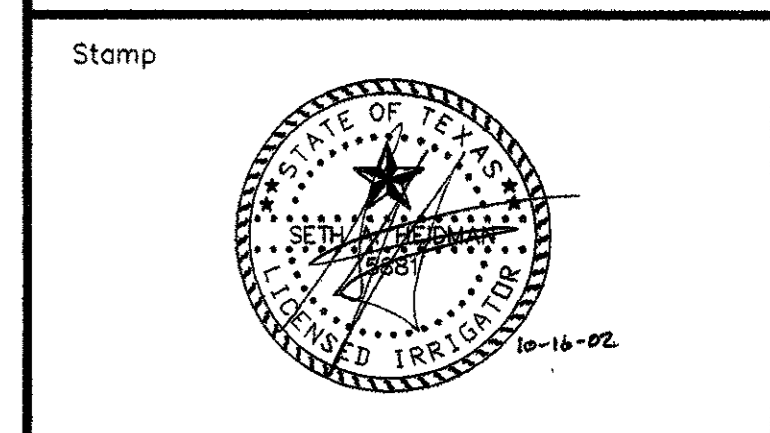
NOTE
CONTRACTOR NOT TO INSTALL VALVES
AND WIRE WITHIN THIS AREA.

MATCH LINE - SEE SHEET L3.2

FESTIVAL WAY

SASAKI
Interdisciplinary Design
64 Pleasant Street, Watertown, Massachusetts 02472 USA
t 617 928 3300 f 617 924 2748 www.sasaki.com

ADDENDUM 2	10-21-02
ISSUED FOR CONSTRUCTION	09-30-02
No. Description	Date



Project Title:

ADDISON ARTS & EVENTS DISTRICT
ADDISON, TEXAS

Drawing Title:

IRRIGATION PLAN

Project No. 14516.00 Scale: 1"=20'-0"
Drawn By: SAH
Checked By: SAH
Approved By: SAH
Date: September 30, 2002

Drawing No. **L3-1**

itc IRRI*TECH CORPORATION
12650 SCHROEDER RD. DALLAS, TEXAS 75243
TEL: (972) 231-5151 FAX: (972) 231-5172