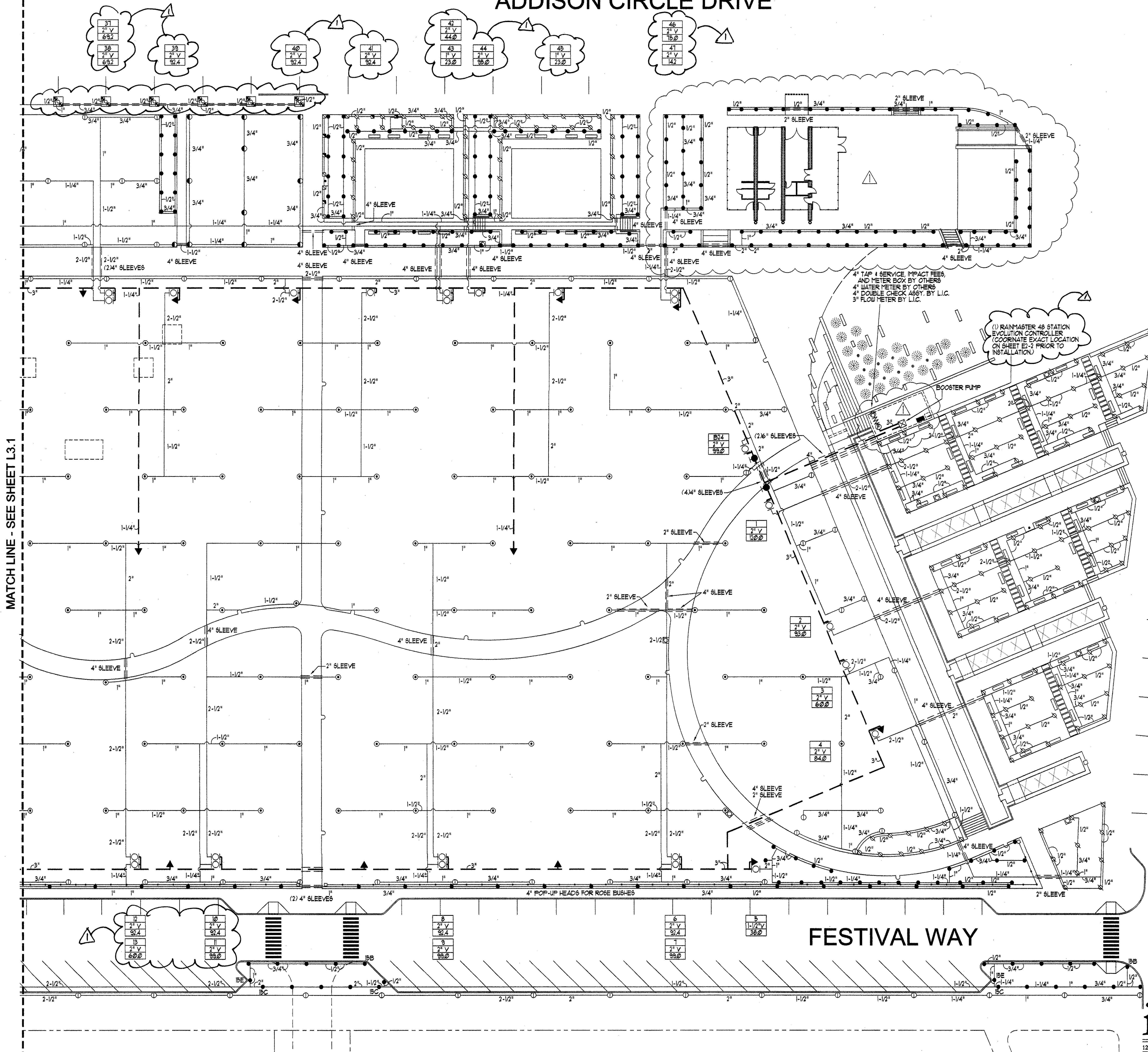


# ADDISON CIRCLE DRIVE

**SASAKI**

Interdisciplinary Design  
64 Pleasant Street, Watertown, Massachusetts 02472 USA  
F 617 926 3300 F 617 924 2748 W www.sasaki.com

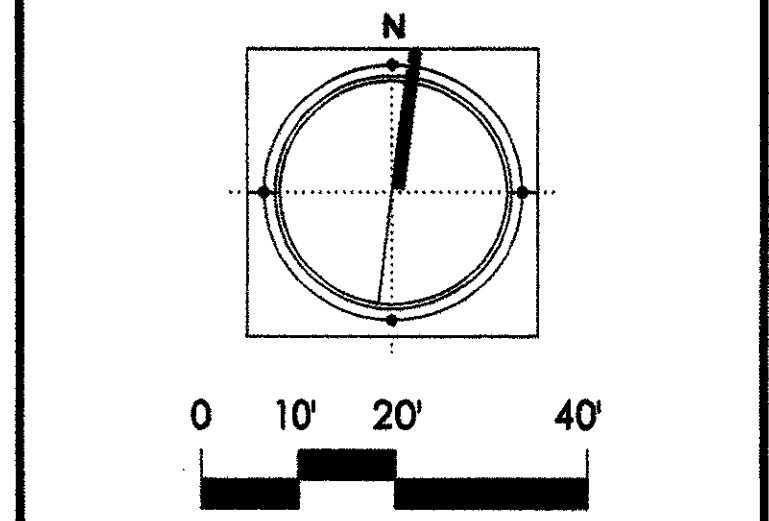
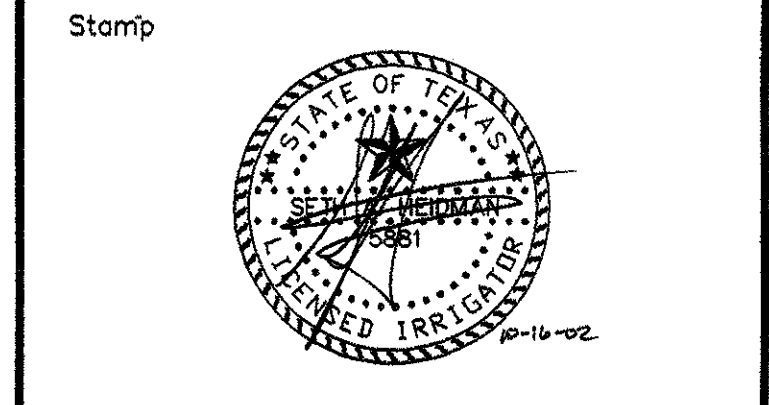


MATCH LINE - SEE SHEET L3.1

QUORUM ROAD

FESTIVAL WAY

ADDENDUM 2	10-21-02
ISSUED FOR CONSTRUCTION	09-30-02
No. Description	Date
DWG ISSUE & REVISION HISTORY	



Project Title:  
**ADDISON ARTS & EVENTS DISTRICT**  
ADDISON, TEXAS

Drawing Title:  
**IRRIGATION PLAN**

Project No. 14516.00 Scale: 1"=20'-0"  
Drawn By: SAH  
Checked By: SAH  
Approved By: SAH  
Date: September 30, 2002

Drawing No. **L3-2**

**itc** IRRI\*TECH CORPORATION  
12650 SCHROEDER RD. DALLAS, TEXAS 75243  
TEL: (972) 251-5151 FAX: (972) 251-5172