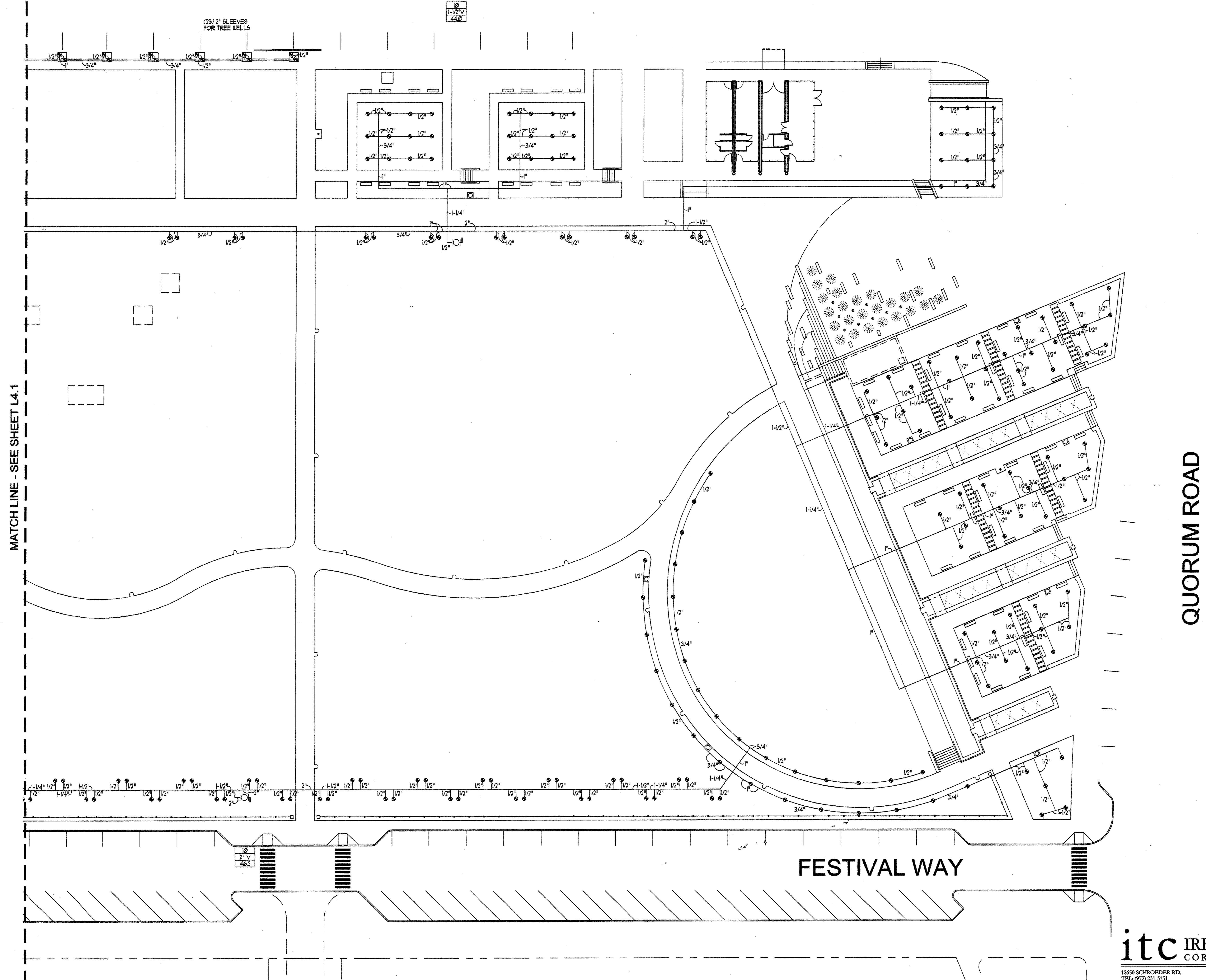


ADDISON CIRCLE DRIVE



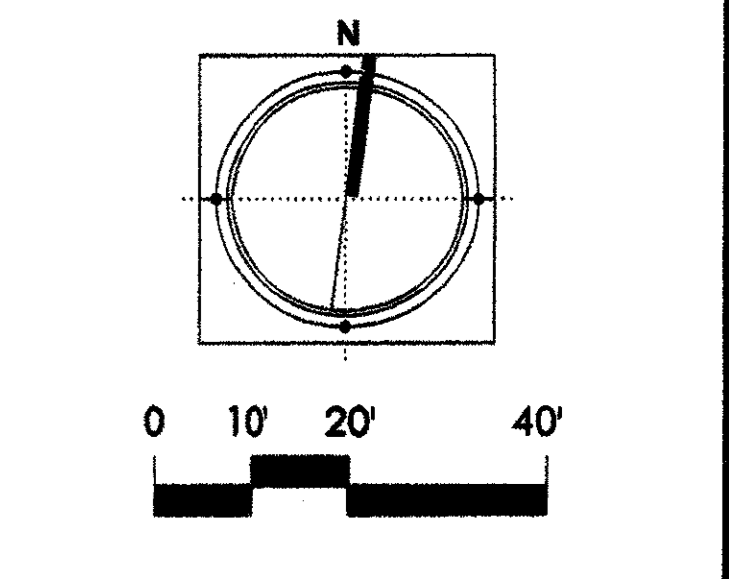
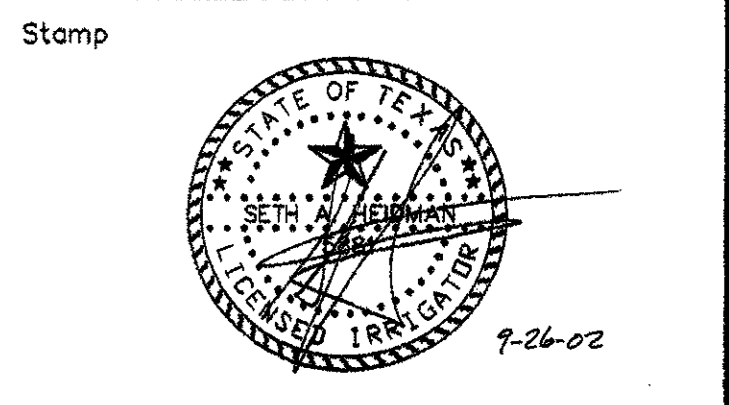
MATCH LINE - SEE SHEET L4.1

QUORUM ROAD

FESTIVAL WAY

SASAKI
Interdisciplinary Design
 64 Pleasant Street, Watertown, Massachusetts 02472 USA
 F 617 926 3300 F 617 924 2748 W www.sasaki.com

ISSUED FOR CONSTRUCTION	09-30-02
No. Description	Date
DWG ISSUE & REVISION HISTORY	



Project Title:
ADDISON ARTS & EVENTS DISTRICT
 ADDISON, TEXAS

Drawing Title:
IRRIGATION BUBBLERS

Project No. 14516.00 Scale: 1"=20'-0"
 Drawn By: SAH
 Checked By: SAH
 Approved By: SAH
 Date: September 30, 2002

Drawing No. **L4-2**

itc IRRI*TECH CORPORATION
 12650 SCHRÖDER RD. DALLAS, TEXAS 75243
 TEL: (972) 231-5151 FAX: (972) 231-5172