

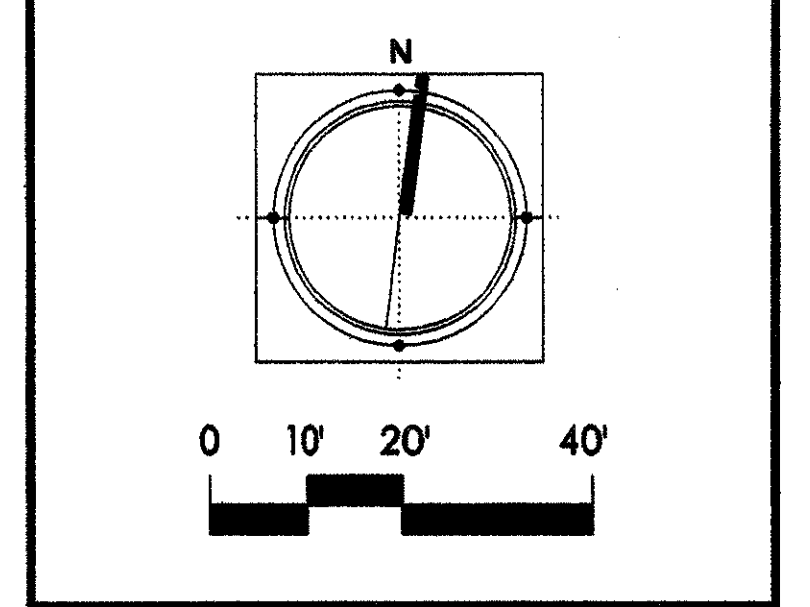
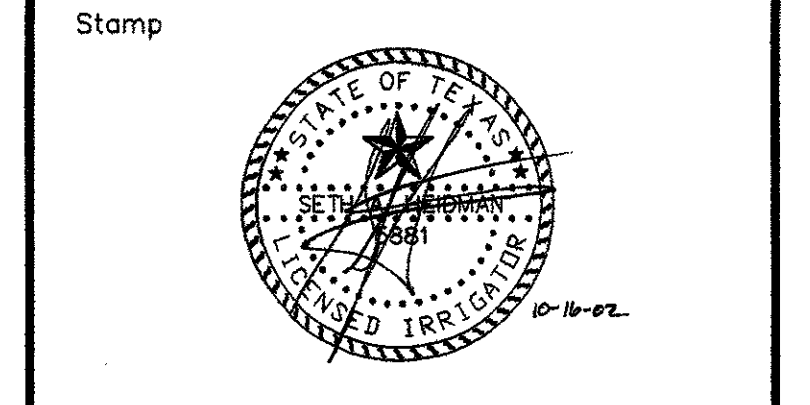
REMOVED FROM PROJECT

**IRRIGATION LEGEND:**

SYMBOL	DESCRIPTION	MANUFACTURER	MODEL NO.
●	LAWN SPRAY HEAD	TORO	5102-4P SERIES W/ 1/2", 3/4", OR 1/2" UNLESS NOTED OTHERWISE
○	LAWN CENTER STRIP HEAD	TORO	5102-12P SERIES W/ 1/2", 3/4", OR 1/2" UNLESS NOTED OTHERWISE
⊙	TREE GRATE BUBBLER HEAD	TORO	COPPER W/ 88-PC NOZZLE UNLESS NOTED OTHERWISE
⊕	SMALL ROTARY PART-CIRCLE	HUNTER	FGP W/ #1 NOZZLE
⊕	SMALL ROTARY FULL-CIRCLE	HUNTER	FGP W/ #2 NOZZLE
⊕	ROTARY PART-CIRCLE	HUNTER	FGP W/ #1 NOZZLE
⊕	ROTARY FULL-CIRCLE	HUNTER	FGP W/ #2 NOZZLE
⊕	QUICK COUPLING VALVE	WEATHER-MATIC	V075
⊕	REMOTE CONTROL VALVE	WEATHER-MATIC	110000 SERIES, REFER TO PLAN FOR SIZE
⊕	CONTROLLER	RAINMASTER	EVOLUTION DX-2 STAINLESS STEEL
—	MAINLINE PIPING	REFER TO SPEC.	SCH. 40 PVC
—	LATERAL PIPING	REFER TO SPEC.	SCH. 40 PVC
⊕	BACKFLOW PREVENTER	WATTS	1001 SERIES
⊕	NEW WATER METER	REFER TO SPEC.	PER LOCAL BUILDING CODE
⊕	NEW VALVE	WEATHER-MATIC	110000 SERIES, REFER TO PLAN FOR SIZE
⊕	STATION NUMBER		

- NOTES:**
- ALL 24 VOLT LEAD AND COMMON VALVE WIRING SHALL BE A MINIMUM OF 14 GA. SINGLE CONDUCTOR. REFER TO MANUFACTURER'S RECOMMENDATIONS FOR PROPER WIRE SIZE. WIRE SPLICES SHALL BE PERMANENT AND WATERPROOF.
  - COORDINATE INSTALLATION OF IRRIGATION SYSTEM WITH LANDSCAPE CONTRACTOR TO ENSURE ALL PLANT MATERIAL WILL BE WATERED IN ACCORDANCE WITH THE INTENT OF THE PLANS AND SPECIFICATIONS.
  - LATERAL PIPING SHALL HAVE A MINIMUM OF 12" OF COVER. MAINLINE AND PIPING UNDER PAVING SHALL HAVE A MAXIMUM OF 18" OF COVER.
  - PIPING AND VALVES IN PAVING SHOWN FOR CLARITY. INSTALL IN ADJACENT PLANTING BED OR LAWN AREA.
  - CONNECT LAWN SPRAY HEADS TO LATERAL PIPING WITH 1/2" FLEXIBLE PVC AND 1/2" SCH. 40 PVC FITTINGS AS REQUIRED. PER DETAIL SHOWN. USE WELD-ON # 189 SOLVENT AND # 189 PRIMER ON THESE CONNECTIONS.
  - INSTALL QUICK COUPLING VALVES ON TEN (10") INCH AMETEK VALVE BOX PER DETAIL SHOWN. CONNECT QUICK COUPLING VALVES TO MAINLINE PIPE WITH LASCOS "UNITIZED" O-RING SUNG JOINTS PER DETAIL SHOWN. #122-312 SUPPLY OLNER WITH THREE (3) COUPLER KEYS WITH 9/16" HOSE BITE, #32DK AND #0 RESPECTIVELY.
  - INSTALL REMOTE CONTROL VALVES IN TEN (10") INCH AMETEK VALVE BOXES PER DETAIL SHOWN.
  - PERFORM ELECTRICAL WORK IN ACCORDANCE WITH LOCAL BUILDING CODE. POWER (120V) SHALL BE LOCATED IN A JUNCTION BOX WITHIN FIVE (5') FEET OF CONTROLLER LOCATION BY OTHER TRADES.
  - ROUTE COMMON WIRE FROM CONTROLLER TO REMOTE SENSORS IN SERIES PRIOR TO CONNECTING TO REMOTE CONTROL VALVES.
  - THE BOOSTER PUMP SHOULD PROVIDE 80.0 TO 85.0 PSI ON THE DISCHARGE SIDE. THE DESIGN PRESSURE IS 10.0 PSI.
  - PLANS ARE DIAGRAMMATIC AND FIELD ADJUSTMENTS MAY BE NECESSARY. PRIOR TO TRENCHING, HEAD LAYOUT WITH FLAGS NEEDS TO BE DONE AND LOCATIONS APPROVED BY TOWN'S REP.
  - L.I.C. TO PROVIDE ALL NECESSARY HARDWARE AND LABOR FOR INSTALLATION OF IRRIGATION CONTROLLER AND REMOTE CONTROL VALVES. REFER TO MATT SWOR WITH LONSHORN FOR QUESTIONS RELATING TO SPECIFIED EQUIPMENT.
  - TOWN OF ADDISON SPECIFICATIONS SUPERCEDE ANY ALL OTHERS NOTES AND DETAILS.
  - CONTRACTOR TO HAND DIG IRRIGATION DITCHES WITHIN THE TREE BALL ROOT ZONE.
  - TWO ZONES ARE REQUIRED TO OPERATE SIMULTANEOUSLY FOR AN ADEQUATE WATER WINDOW.

ADDENDUM 2	10-21-02
ISSUED FOR CONSTRUCTION	09-30-02
No. Description	Date



Project Title:  
**ADDISON ARTS & EVENTS DISTRICT**  
 ADDISON, TEXAS

Drawing Title:  
**IRRIGATION DETAILS**

Project No. 14516.00 Scale: 1"=20'-0"  
 Drawn By: SAH  
 Checked By: SAH  
 Approved By: SAH  
 Date: September 30, 2002

Drawing No. **L5-1**