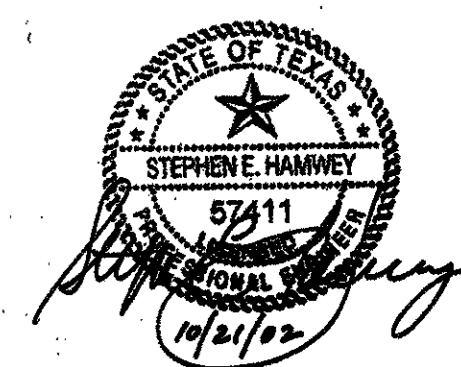


ADDENDUM #2	10-21-02
ISSUED FOR CONSTRUCTION	09-30-02
No. Description	Date

DWG. ISSUE & REVISION HISTORY

Stamp



Project Title:

ADDISON ARTS & EVENTS DISTRICT
 ADDISON, TEXAS

Drawing Title:

STRUCTURAL DETAILS

Project No. 14516.00 Scale: AS NOTED

Drawn By: SCV

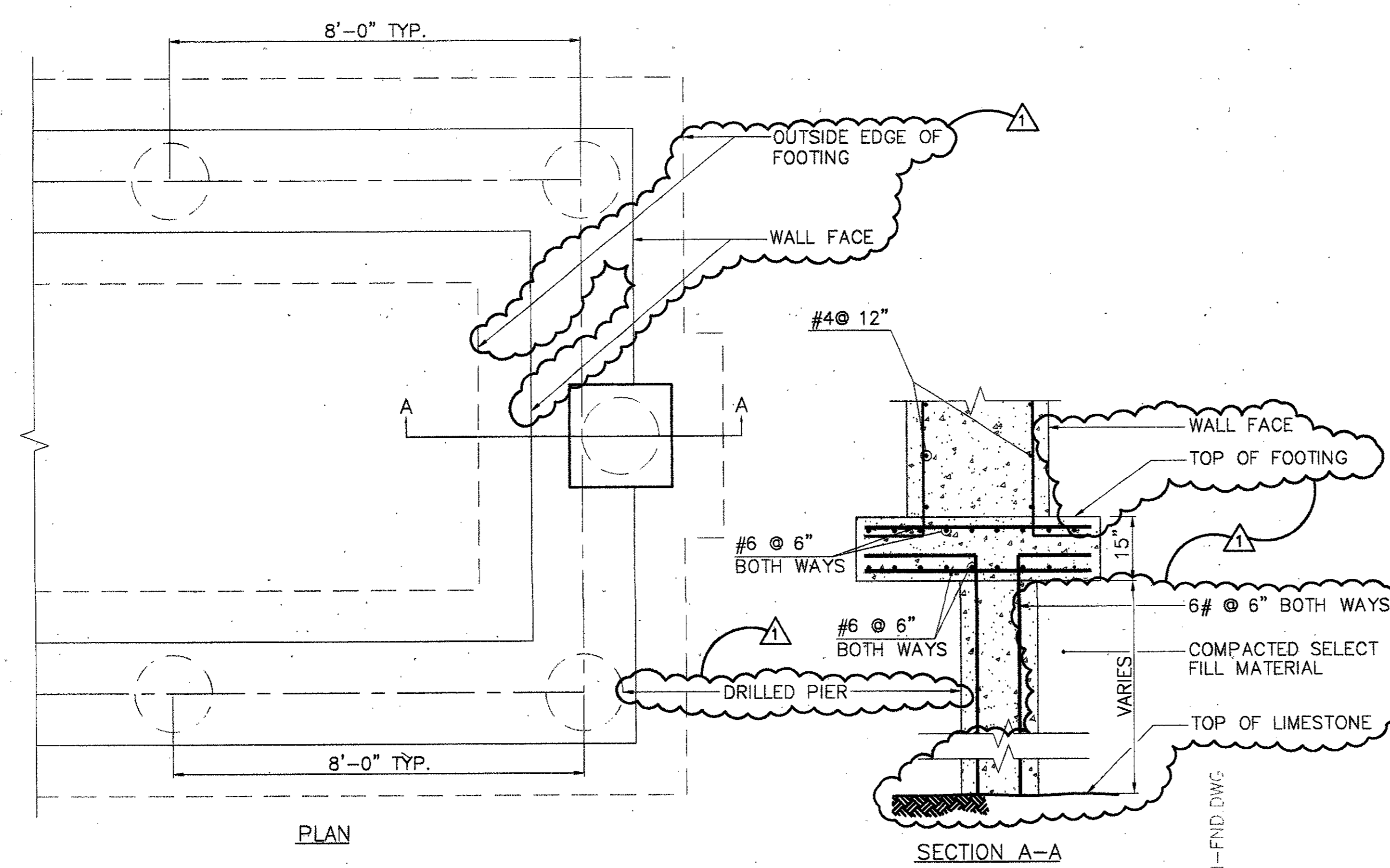
Checked By: CC

Approved By: SEH

Date: September 30, 2002

Drawing No.

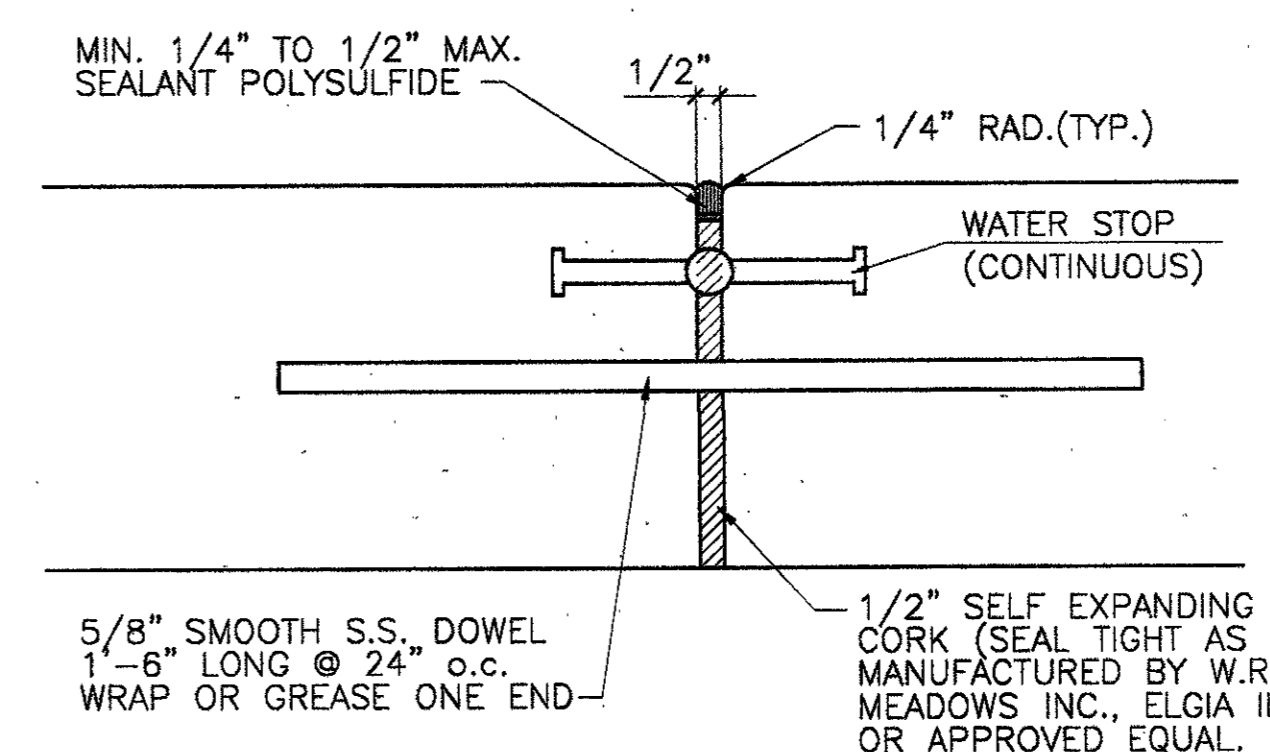
S1-3



NOTE: DRILLED PIERS ONLY REQUIRED IF SPREAD FOOTINGS ARE NOT BEARING ON EXISTING LIMESTONE.

2 FOUNTAIN PYLON FOOTING AND PLAN
 SCALE: 1/2"=1'-0"

S=F-PYLON-FND.DWG



NOTES:
 1. INSTALL EXPANSION JOINTS IN CHANNELS AT 90' MAX O.C.
 2. ALIGN EXPANSION JOINTS WITH TILE JOINTS.

1 TYPICAL EXPANSION JOINT IN CHANNELS
 SCALE: 3/4"=1'-0"

TYP-EXJ.DWG