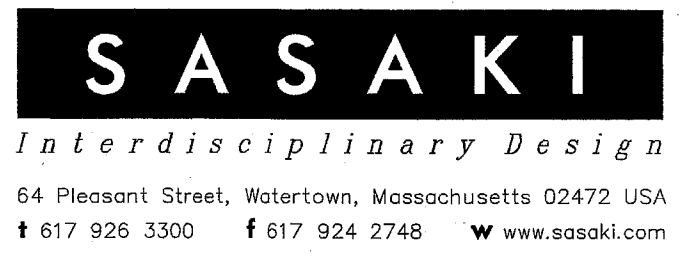
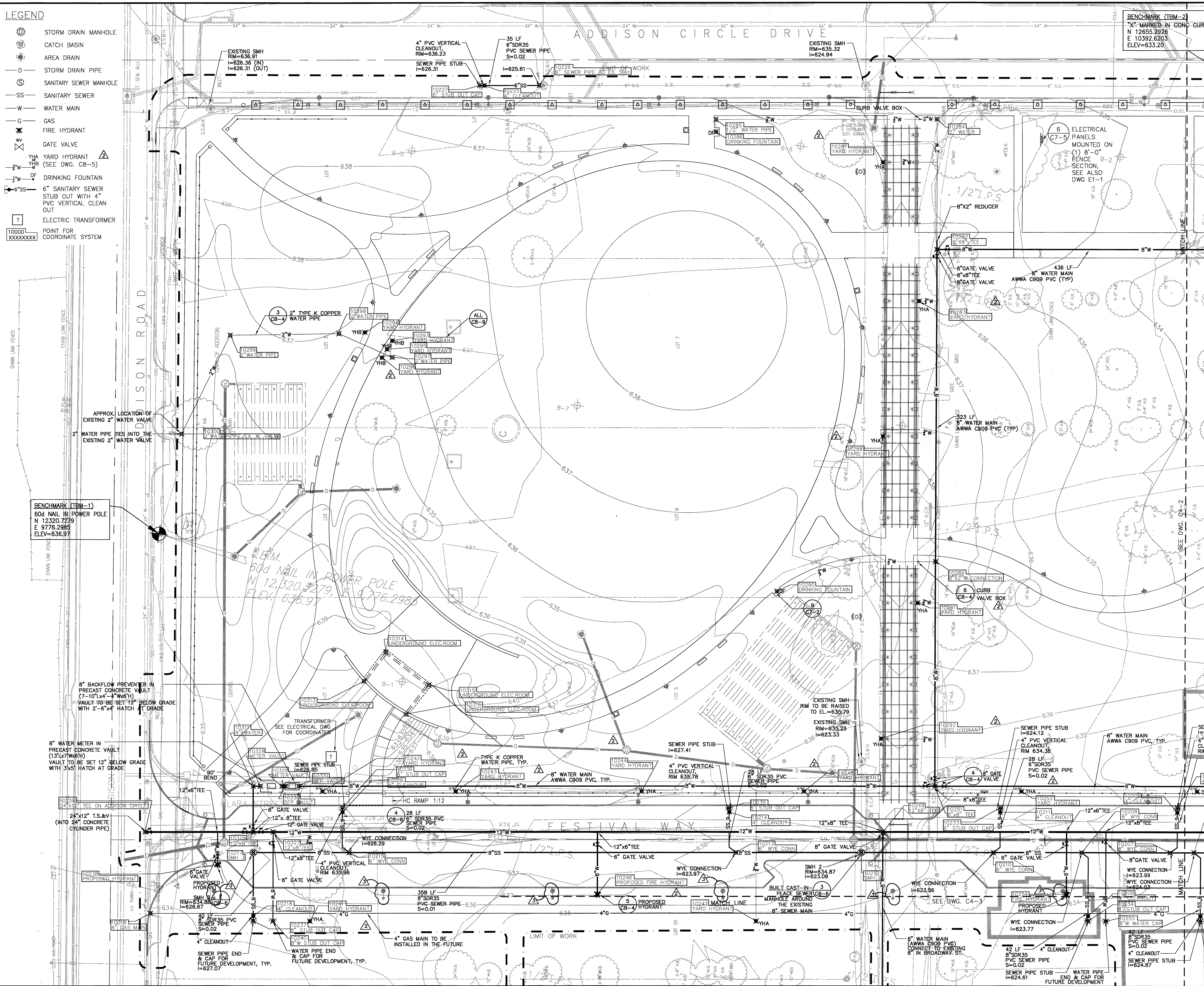
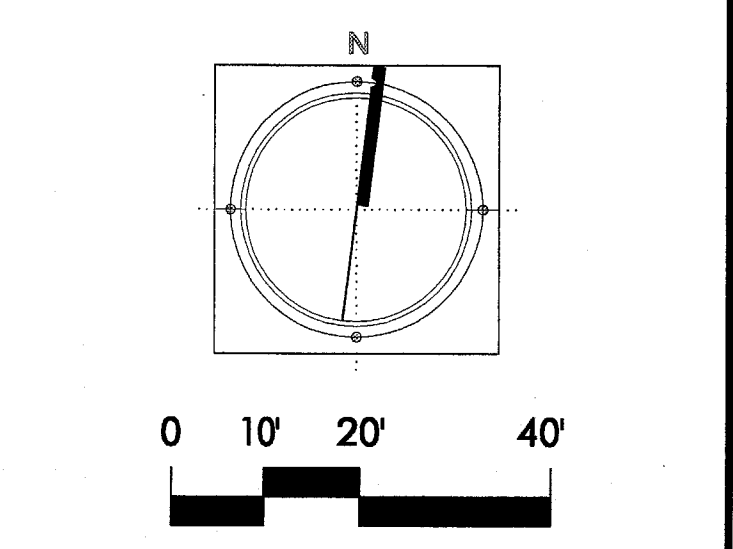
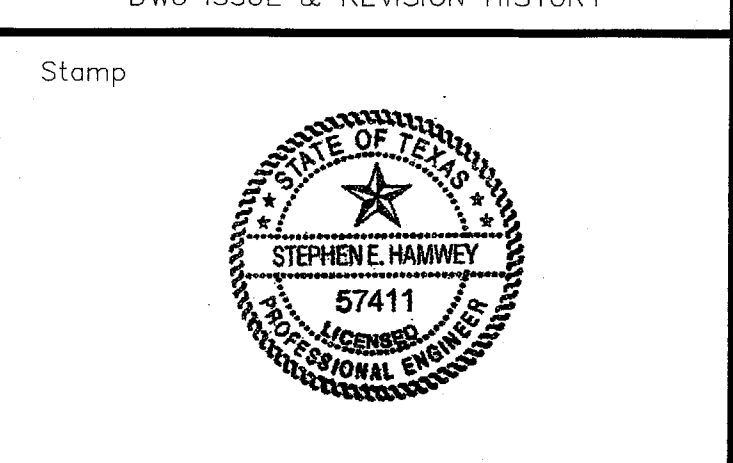


LEGEND

- ⊙ STORM DRAIN MANHOLE
- ⊕ CATCH BASIN
- ⊙ AREA DRAIN
- D- STORM DRAIN PIPE
- ⊙ SANITARY SEWER MANHOLE
- SS- SANITARY SEWER
- W- WATER MAIN
- G- GAS
- ⊕ FIRE HYDRANT
- ⊕ GATE VALVE
- YHA YARD HYDRANT (SEE DWG. C8-5)
- ⊕ DRINKING FOUNTAIN
- 6"SS- 6" SANITARY SEWER STUB OUT WITH 4" PVC VERTICAL CLEAN OUT
- ⊕ ELECTRIC TRANSFORMER
- 10000 XXXXXXXX POINT FOR COORDINATE SYSTEM



No.	Description	Date
3	BULLETIN #2	03-10-03
4	BULLETIN #1	12-30-02
5	ISSUED FOR CONSTRUCTION	11-26-02
6	ADDENDUM #2	10-21-02
7	ISSUED FOR CONSTRUCTION	09-30-02



Project Title:
ADDISON ARTS & EVENTS DISTRICT
 ADDISON, TEXAS

Drawing Title:
UTILITIES PLAN

Project No. 14516.00 Scale: 1"=20'-0"
 Drawn By: SM
 Checked By: TC
 Approved By: SEH
 Date: September 30, 2002

Drawing No. **C4-1**