

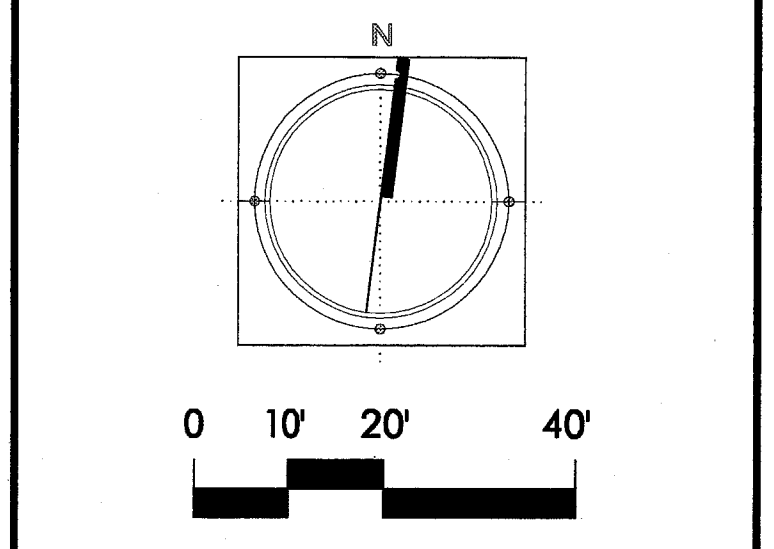
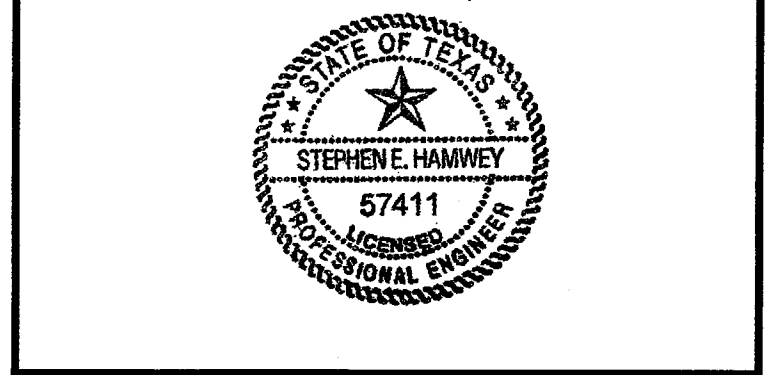
BENCHMARK (TBM-2)
 X MARKED IN CONC CURB
 N 12655.2926
 E 10392.6203
 ELEV=633.20

- LEGEND**
- ⊙ STORM DRAIN MANHOLE
 - ⊕ CATCH BASIN
 - ⊖ AREA DRAIN
 - D — STORM DRAIN PIPE
 - ⊙ S — SANITARY SEWER MANHOLE
 - S — SANITARY SEWER
 - W — WATER MAIN
 - G — GAS
 - ⊕ FIRE HYDRANT
 - ⊕ GATE VALVE
 - YHA YARD HYDRANT (SEE DWG. C8-5)
 - DF DRINKING FOUNTAIN
 - 6"SS 6" SANITARY SEWER STUB OUT WITH 4" PVC VERTICAL CLEAN OUT
 - T ELECTRIC TRANSFORMER
 - 10000 POINT FOR COORDINATE SYSTEM



△	BULLETIN #2	03-10-03
△	BULLETIN #1	12-30-02
△	ISSUED FOR CONSTRUCTION	11-26-02
△	ADDENDUM #2	10-21-02
△	ISSUED FOR CONSTRUCTION	09-30-02
No.	Description	Date

DWG ISSUE & REVISION HISTORY



Project Title:
ADDISON ARTS & EVENTS DISTRICT
 ADDISON, TEXAS

Drawing Title:
UTILITIES PLAN

Project No. 14516.00 Scale: 1"=20'-0"
 Drawn By: SM
 Checked By: TC
 Approved By: SEH
 Date: September 30, 2002
 Drawing No. **C4-2**

BENCHMARK (TBM-1A)
 SQUARE CUT IN CURB
 N 12448.6005
 E 10874.3582
 ELEV=622.45

