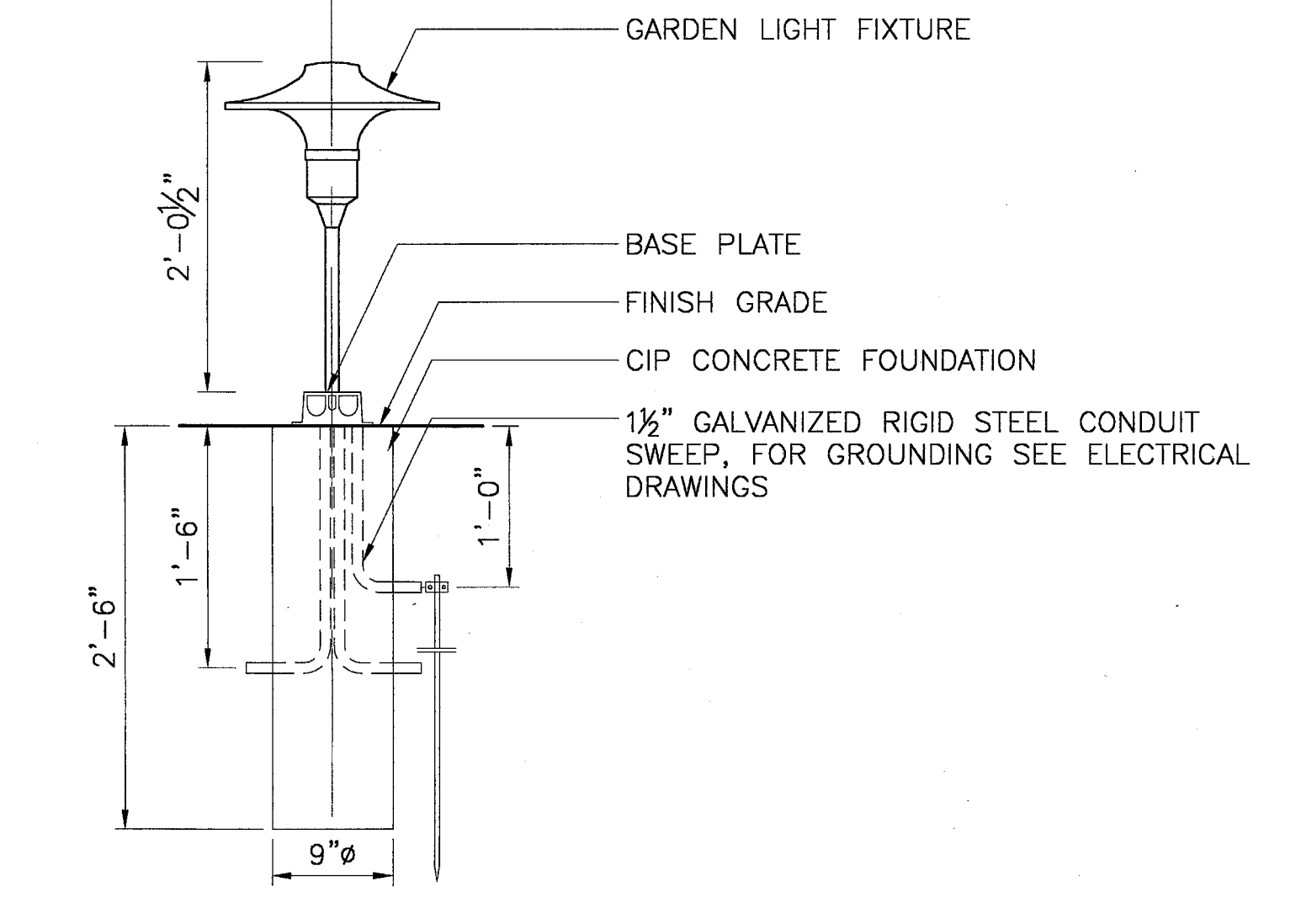
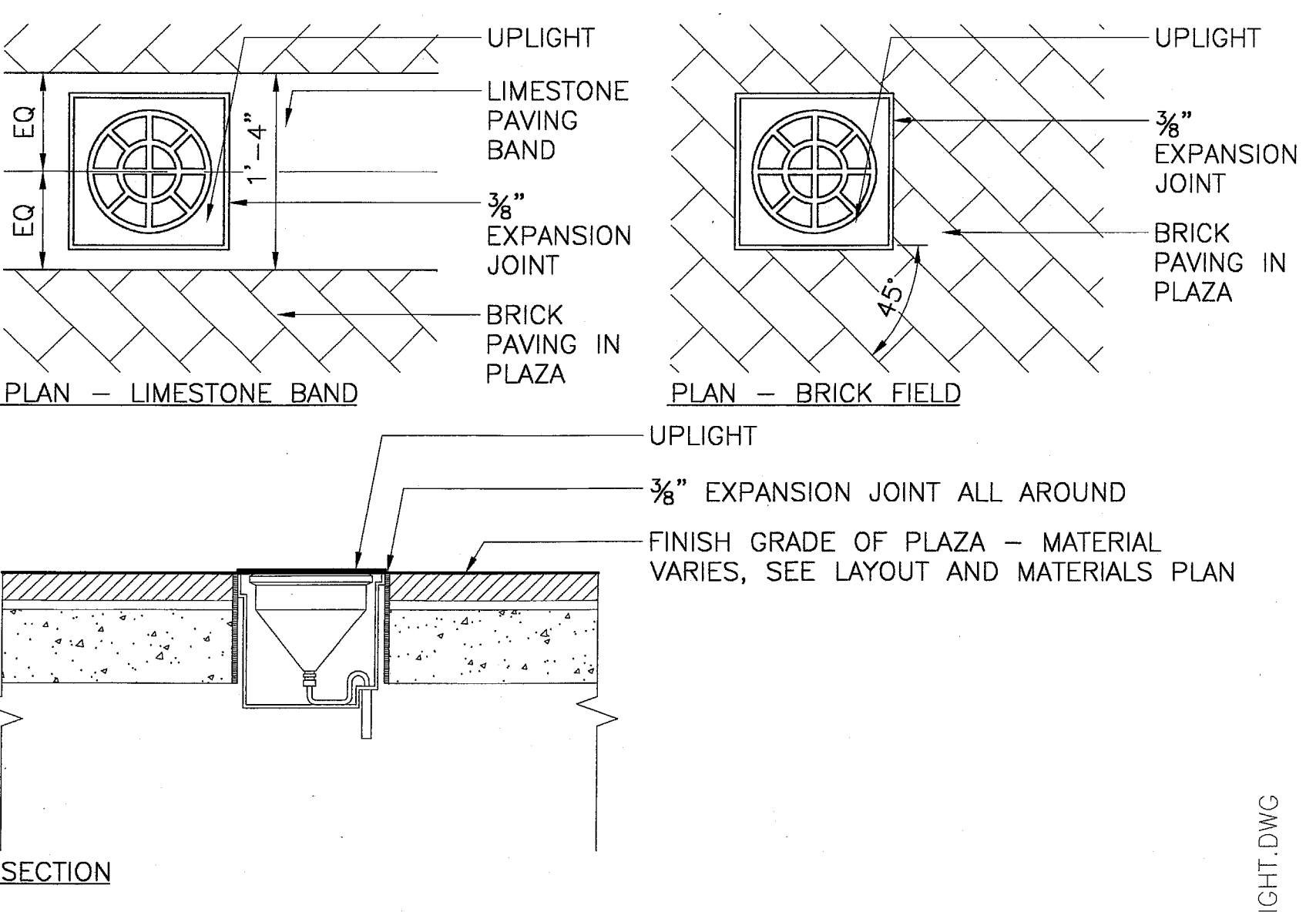


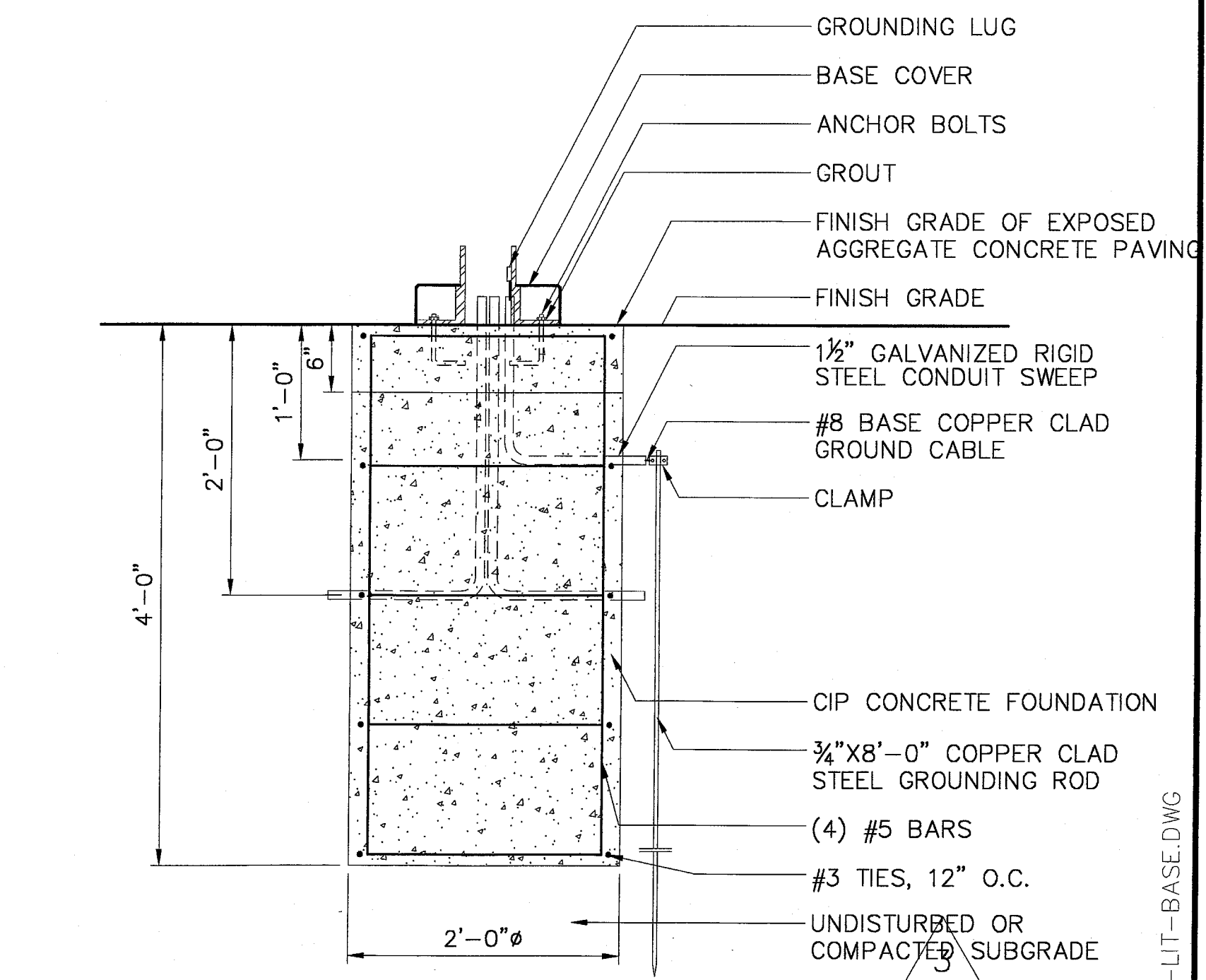
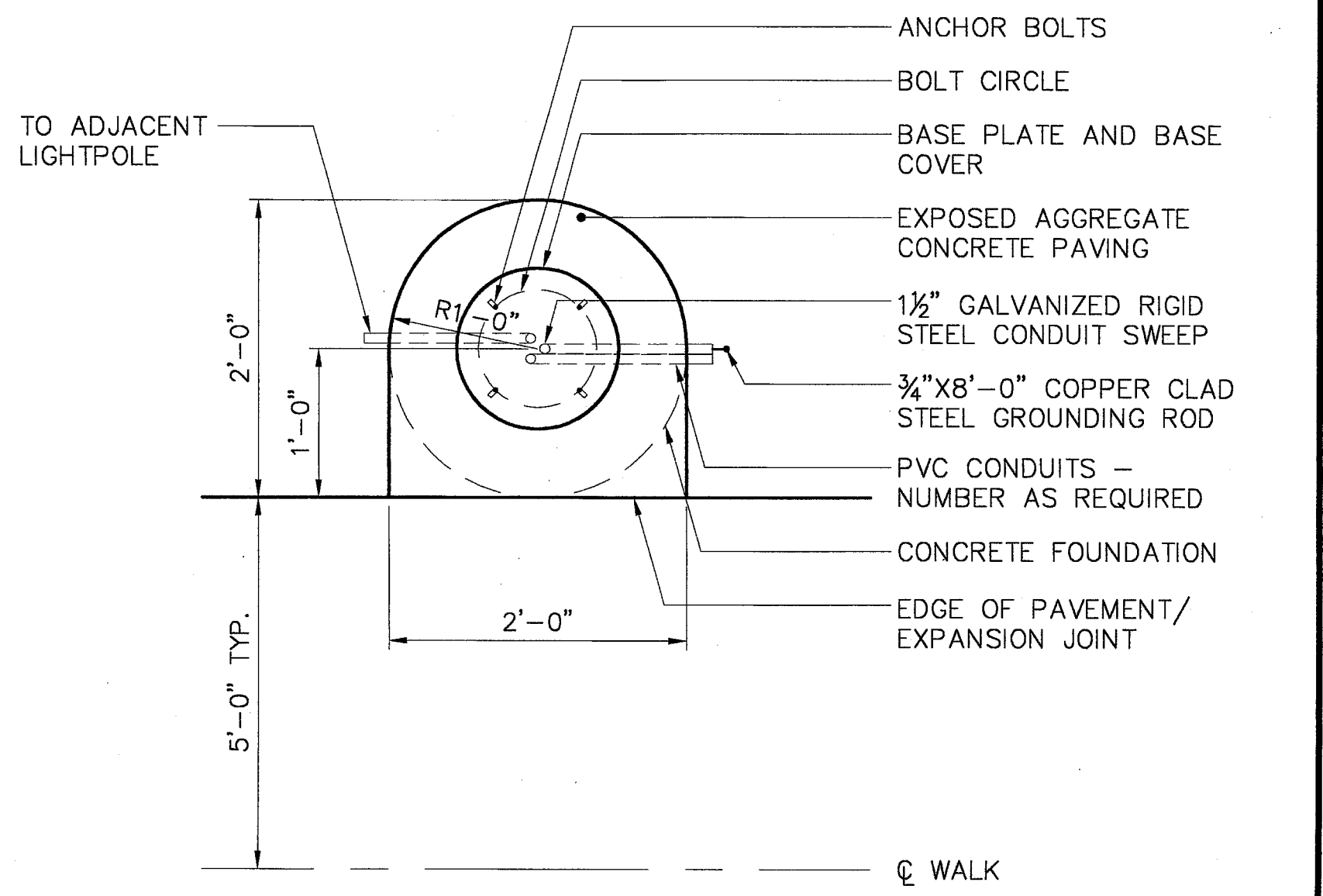
6 STREET LIGHT DETAIL
SCALE: 1/2" = 1'-0"



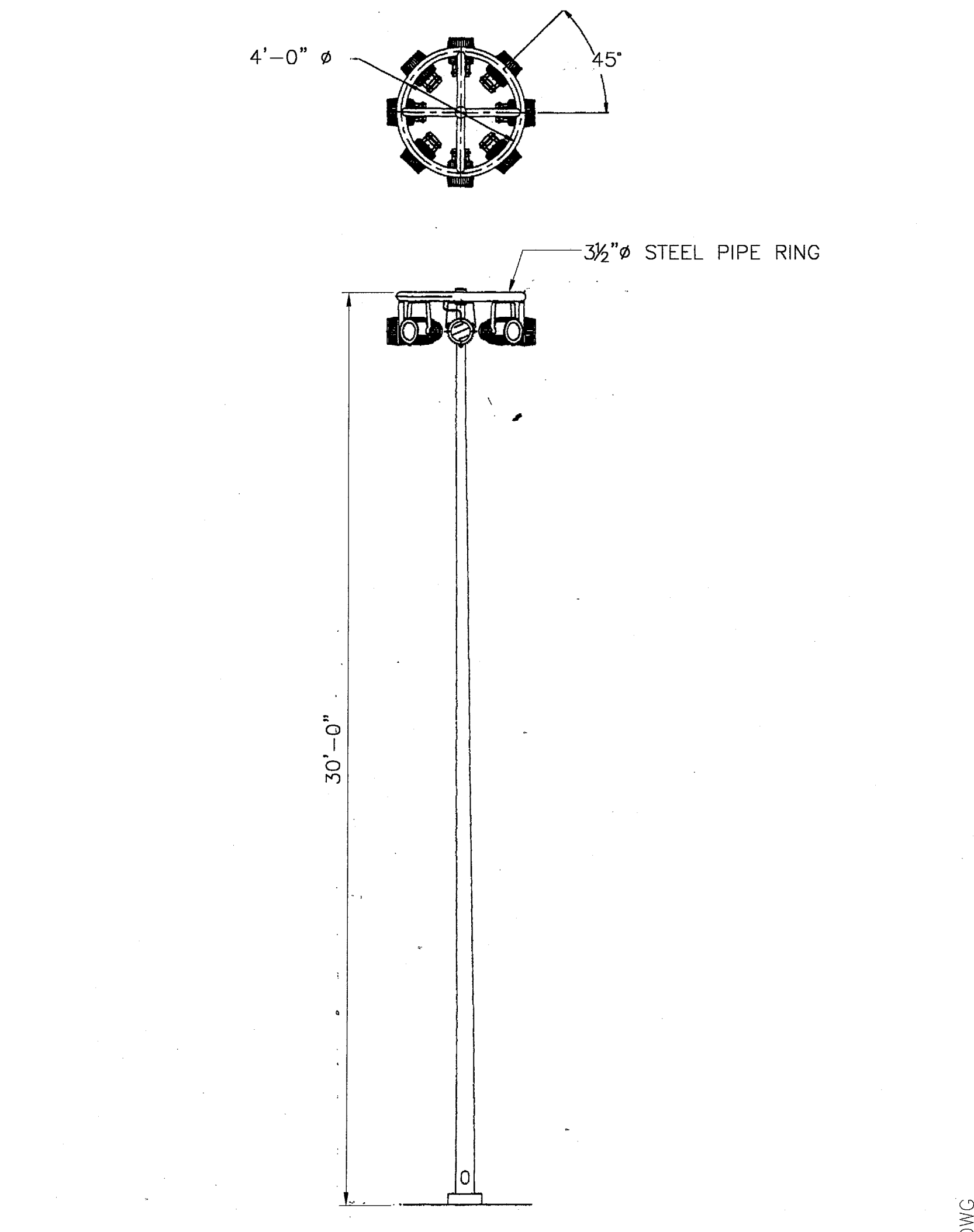
5 GARDEN LIGHT BASE
SCALE: 1" = 1'-0"



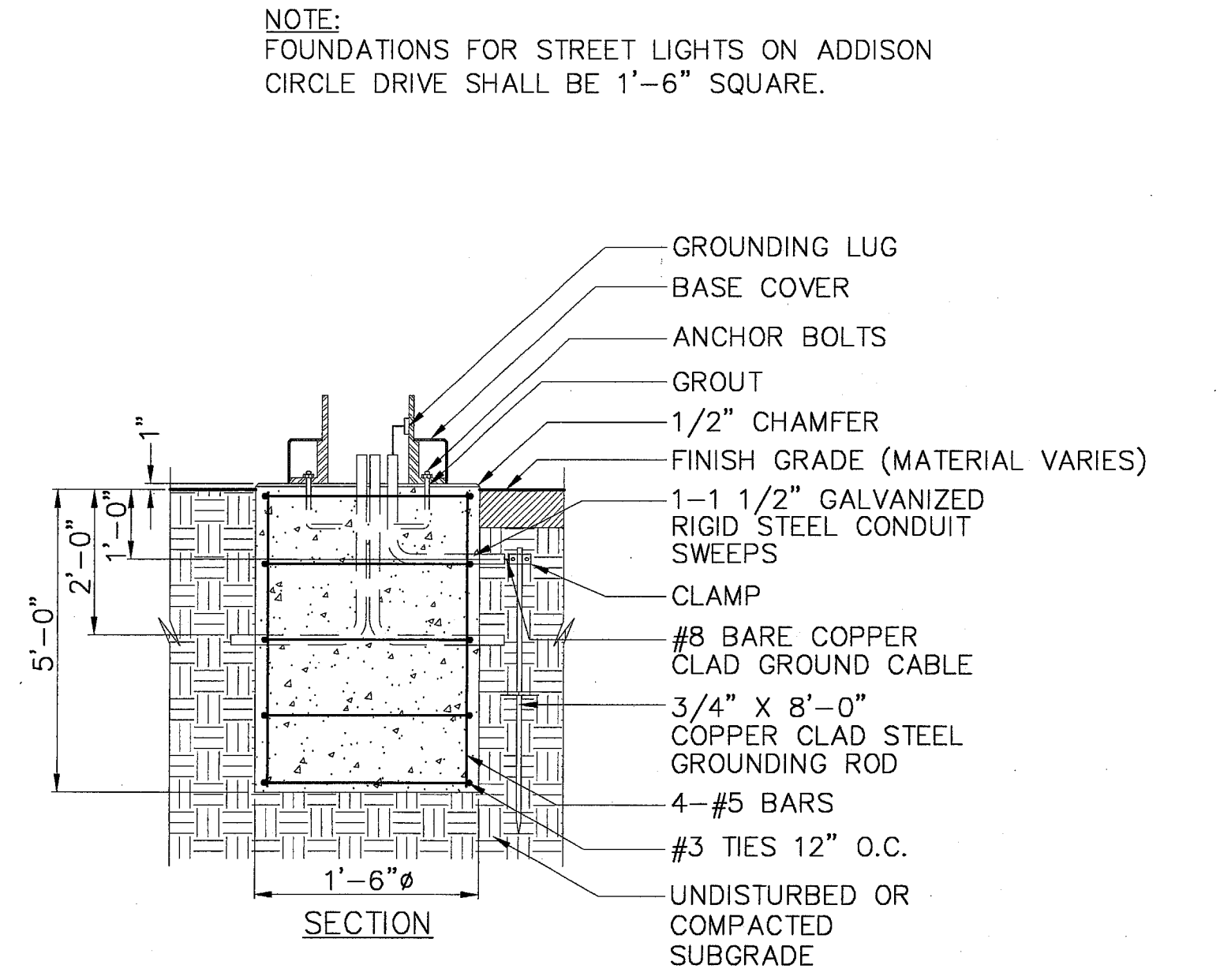
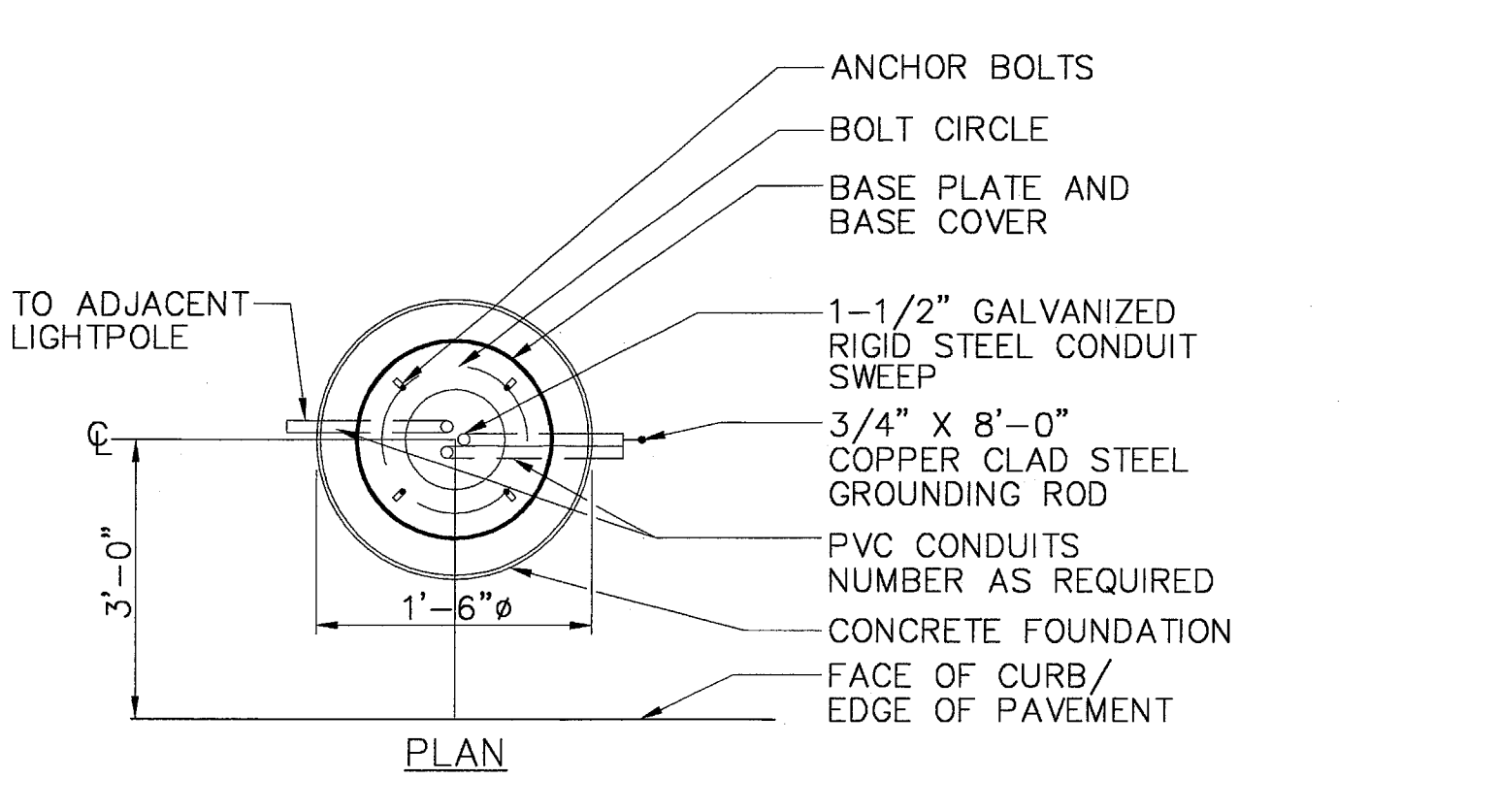
4 PLAZA FOUNTAIN UPLIGHT
SCALE: 1" = 1'-0"



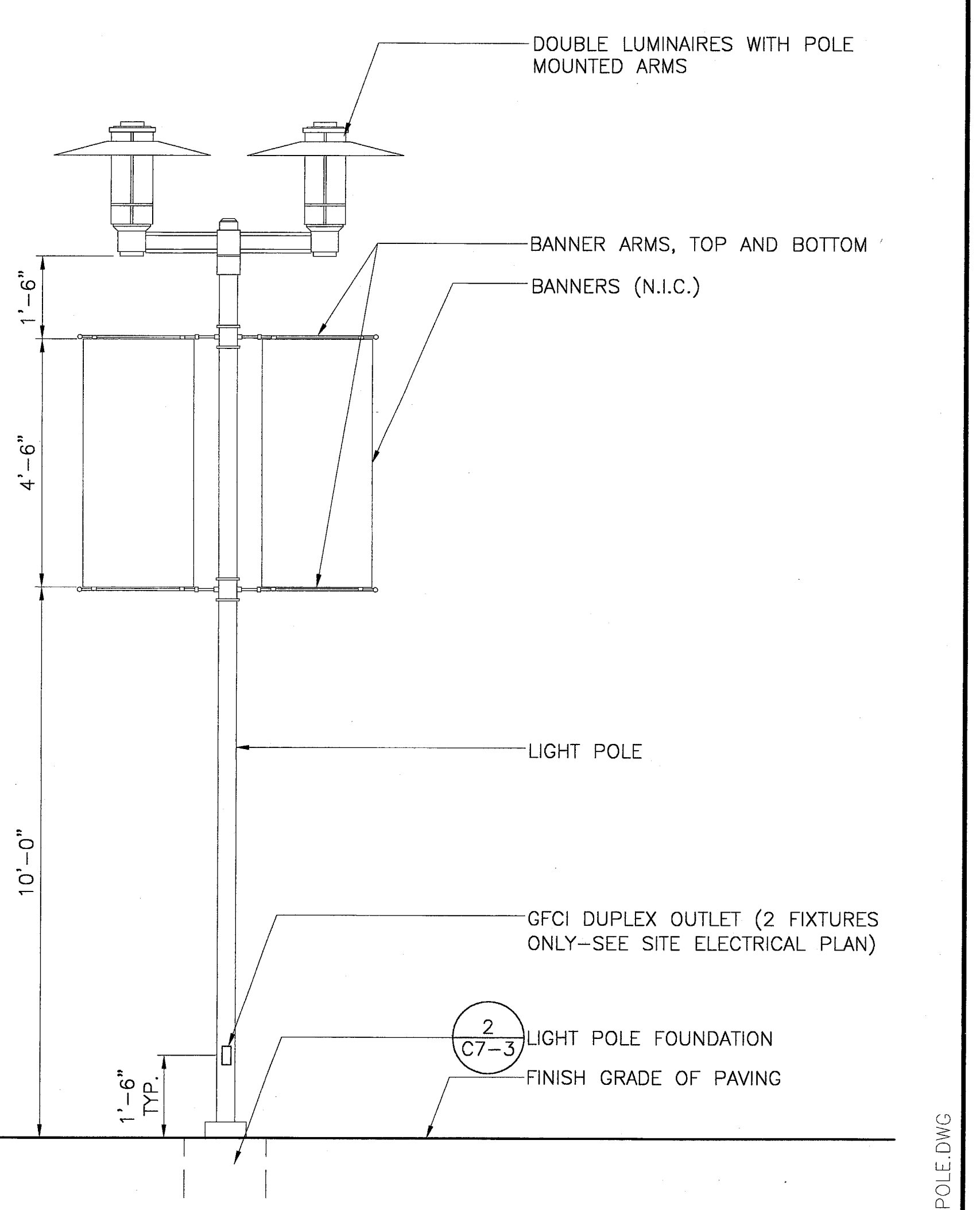
2 PEDESTRIAN LIGHT POLE FOUNDATION
SCALE: 1" = 1'-0"



5 30' POLE WITH (8) 1000W FIXTURES
SCALE: NONE

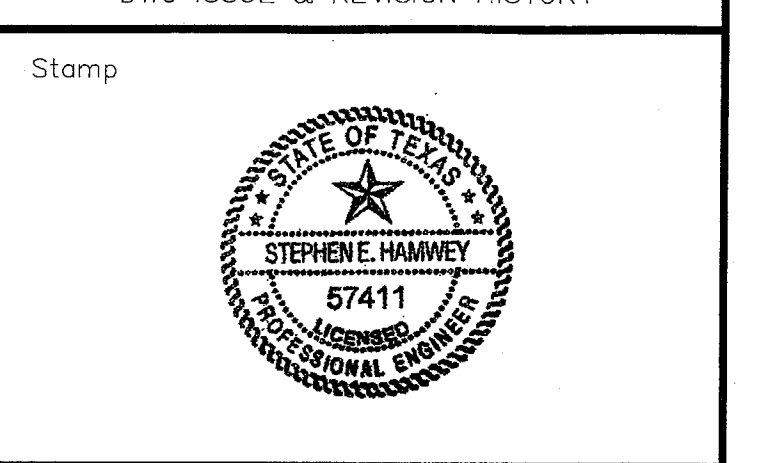


3 TYPICAL LIGHT POLE FOUNDATION
SCALE: NONE



1 DOUBLE LIGHT POLE WITH BANNERS
SCALE: 1/2" = 1'-0"

BULLETIN #2	03-10-03	
ISSUED FOR CONSTRUCTION	11-26-02	
ISSUED FOR CONSTRUCTION	09-30-02	
No.	Description	Date



Project Title:
ADDISON ARTS & EVENTS DISTRICT
ADDISON, TEXAS

Drawing Title:
SITE DETAILS - LIGHTING

Project No. 14516.00 Scale: AS NOTED
Drawn By: CB
Checked By: DC
Approved By: SEH
Date: September 30, 2002

Drawing No. **C7-3**