

GENERAL NOTES

1. ALL INDOOR AND OUTDOOR RECEPTACLES SHALL BE HOODED "IN USE" WP/GFI.
2. REFERENCE ARCHITECTURAL DRAWINGS FOR EXACT LOCATION OF LIGHT FIXTURES.
3. REFERENCE ARCHITECTURAL DRAWINGS FOR LOCATION AND MOUNTING OF EXTERIOR PANELBOARDS AND CAMLOK EQUIPMENT.
4. ALL EMPTY CONDUITS SHALL HAVE PULL STRING AND BE CAPPED FOR FUTURE USE.
5. WHERE BRANCH CIRCUIT CONDUCTORS HAVE BEEN OVERSIZED TO MINIMIZE VOLTAGE DROP AND WHERE THE CONDUCTOR SIZE EXCEEDS THE TERMINAL SIZE OF A CIRCUIT BREAKER OR OTHER DEVICE, PROVIDE A WIRE SIZE TRANSITION SPLICE BOX. (REFER DETAIL 09 DRAWING E2-1) TRANSITION TO THE MAXIMUM WIRE SIZE COMPATIBLE WITH THE CIRCUIT BREAKER OR DEVICE UTILIZING A TERMINAL BLOCK MOUNTED IN A PROPERLY SIZED JUNCTION BOX LOCATED ADJACENT TO THE PANELBOARD.
6. ALL CONDUITS INCLUDING HOME RUNS ARE TO BE INSTALLED UNDER CONCRETE WALKWAYS AS SHOWN.
7. ALL OUTDOOR PANEL ENCLOSURES, SUPPORTS AND DEVICES ARE TO BE PAINTED TO MATCH ADJACENT SURFACE FINISH. ARCHITECT TO APPROVE PAINT AND COLOR SELECTION. REFER ARCHITECTURAL DRAWINGS AND SPECIFICATIONS.
8. ALL OUTDOOR RECEPTACLE COVER PLATES ARE TO BE PAINTED TO MATCH ADJACENT SURFACE FINISH. ARCHITECT TO APPROVE PAINT AND COLOR SELECTION. REFER ARCHITECTURAL DRAWINGS AND SPECIFICATIONS.
9. REFER LANDSCAPE ARCHITECT'S DRAWINGS FOR PROPER ORIENTATION OF ALL SITE LIGHTING FIXTURES.

NOTES BY SYMBOL "O"

- 1 PERGOLA STRUCTURE.
- 2 NOT USED.
- 3 TRANSFORMER BY POWER COMPANY. SEE DRAWING C2-1 FOR EXACT LOCATION.
- 4 #4, 1#8G-1 1/2"C.
- 5 CAMLOK PANEL #1. REFER DETAIL 01 DRAWING E2-1 FOR ADDITIONAL INFORMATION.
- 6 NOT USED.
- 7 NOT USED.
- 8 NOT USED.
- 9 NOT USED.
- 10 PROVIDE 120V. WP/GFI DUPLEX RECEPTACLES WITH HOODED "IN USE" COVERS IN BASE OF SITE LIGHTING FIXTURE POLE. REFER ARCHITECTURAL DRAWINGS FOR MOUNTING HEIGHTS.
- 11 NOT USED.
- 12 NOT USED.
- 13 #6, 1#8G-1 1/2"C.
- 14 MOUNT PANEL ON FENCE. SEE DRAWING C2-1.
- 15 PANEL "L5", REFER DETAIL 02 ON DRAWING E2-1 AND DRAWING E3-1 FOR ADDITIONAL INFORMATION.
- 16 PROVIDE 120V. WP/GFI RECEPTACLES WILL BE MOUNTED FLUSH WITH STONE FACE OF COLUMN. ALL RECEPTACLES TO BE WEATHERPROOF WITH HOODED "IN USE" COVERS, TYPICAL FOR ALL RECEPTACLES MOUNTED ON COLUMNS AT PERGOLA. MOUNT RECEPTACLES +18" ABOVE FINISH GRADE.
- 17 PROVIDE 120V. WP/GFI DUPLEX RECEPTACLES IN BASE OF STREET LIGHTING FIXTURE POLE WITH HOODED "IN USE" WP COVERS. REFER ARCHITECTURAL DRAWINGS FOR MOUNTING HEIGHTS.
- 18 3#6, 1#10G-1"C.
- 19 2#8, 1#10G-3/4"C.
- 20 2#10, 1#10G-3/4"C.
- 21 2#6, 1#10G-1"C.
- 22 2#12, 1#12G-3/4"C.
- 23 3#12, 1#12G-3/4"C.
- 24 4#8, 1#10G-1"C.
- 25 3#8, 1#10G-1"C.
- 26 PANEL "L3", REFER DETAIL 01 ON DRAWING E2-1 AND DRAWING E3-1 FOR ADDITIONAL INFORMATION.
- 27 NOT USED.
- 28 NOT USED.
- 29 REFERENCE SINGLE LINE DIAGRAM FOR WIRE/CONDUIT SIZES ON DETAIL 01 DRAWING E2-1.
- 30 REFERENCE SINGLE LINE DIAGRAM FOR WIRE/CONDUIT SIZES ON DETAIL 02 DRAWING E2-1.
- 31 TICKET BOOTH LOCATION. 208V. 1#, 30A SINGLE POINT CONNECTION REQUIRED AT EACH LOCATION WITH NEMA 3R ENCLOSURE UTILITY BOX MOUNTED FLUSH WITH FINISHED GRADE. REFER DRAWINGS C4-1 & C4-2 FOR EXACT LOCATIONS.
- 32 3#10, 1#10G-3/4"C. EACH (2) 2P-30A. CIRCUIT BREAKER. FURNISH AND INSTALL #L1430R89W74 CORROSION RESISTANT RECEPTACLE, COVER AND GASKET WITH #25W CAP AT EACH LOCATION AS MANUFACTURED BY LEVITON OR APPROVED EQUAL.
- 33 #4#10, 1#10G-3/4"C.
- 34 ALL STREET LIGHTS SHALL BE CONTROLLED BY PHOTOCELL WITH MANUAL OVERRIDE.
- 35 ALL SITE LIGHTING SHALL BE CONTROLLED BY PHOTOCELL/TIMELOCK WITH MANUAL OVERRIDE.
- 36 STREETLIGHT WITH TWIN HEADS, POST TOP MOUNTED FLOODLIGHT WITHOUT RECEPTACLE IN POLE BASE. REFER LANDSCAPE ARCHITECT'S DRAWINGS FOR MANUFACTURER AND MODEL NUMBER.
- 37 STREETLIGHT WITH TWIN HEADS AND GFCI, W.P. RECEPTACLE IN POLE BASE. REFER LANDSCAPE ARCHITECT'S DOCUMENTS FOR MANUFACTURER AND MODEL NUMBER.
- 38 PROVIDE A SINGLE POLE TOGGLE SWITCH ADJACENT TO PANELBOARD TO OPERATE FLOODLIGHTS. LABEL SWITCH "FLOODLIGHTS".

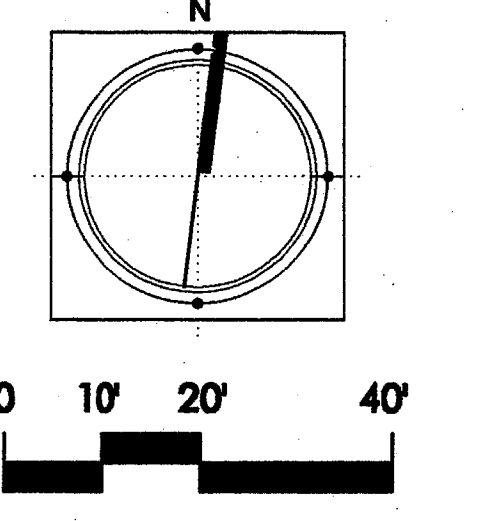
SASAKI
Interdisciplinary Design
 64 Pleasant Street, Watertown, Massachusetts 02472 USA
 ☎ 617 928 3300 ☎ 617 924 2748 www.sasaki.com

CEI CAMPOS
ENGINEERING, Inc.
 CONSULTING ENGINEERS
 7430 Greenville Avenue
 Dallas, Texas 75231
 (214) 696-6291
 (214) 361-6298 [FAX]
 PROJECT NO: 69602.00

3	BULLETIN #2	03-10-03
	ISSUED FOR CONSTRUCTION	11-26-02
1	ADDENDUM #2	10-21-02
	ISSUED FOR CONSTRUCTION	09-30-02
No.	Description	Date

DWG ISSUE & REVISION HISTORY

Stamp: STATE OF TEXAS
 KEITH V. GASSMAN
 89636
 LICENSED PROFESSIONAL ENGINEER
 2/1/02



Project Title:
ADDISON ARTS & EVENTS DISTRICT
 ADDISON, TEXAS

Drawing Title:
ELECTRICAL PLAN - WEST

Project No. 14516.00 Scale: 1"=20'
 Drawn By: ARM
 Checked By: KG
 Approved By: KG
 Date: 09/30/2002

Drawing No. **E1-1**