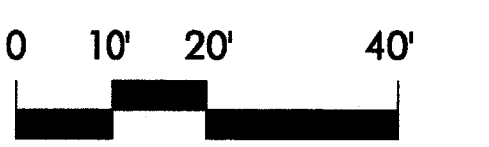
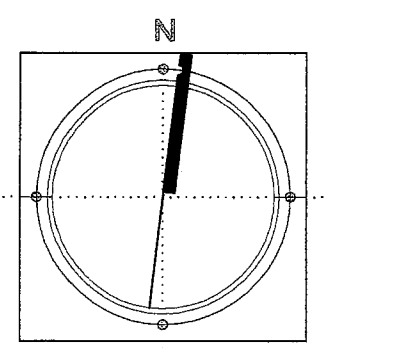
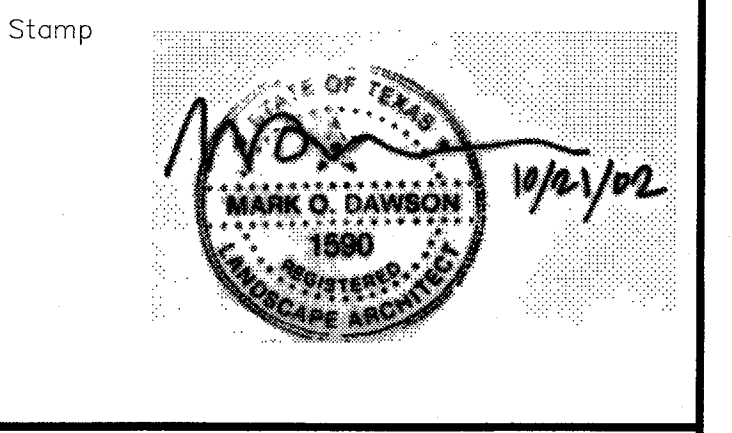


- LEGEND**
- LAWN (IRRIGATED)
 - ANNUAL FLOWER DISPLAY
 - DWARF MONDO GRASS
 - ASIAN JASMINE
 - ST. JOHNSWORT
 - FOUNTAIN GRASS
 - LIRIOPE
 - PROPOSED TREES
 - PROPOSED EVERGREEN TREES
 - EXISTING TREES TO REMAIN
 - ROSE
 - VINE
- NOTE: FOR PLANT LIST SEE L2-1

SASAKI
Interdisciplinary Design
 64 Pleasant Street, Watertown, Massachusetts 02472 USA
 F 617 926 3300 F 617 924 2746 www.sasaki.com

▲	BULLETIN #2	03-10-03
▲	BULLETIN #1	-12-30-02
▲	ISSUED FOR CONSTRUCTION	11-26-02
▲	ADDENDUM #2	10-21-02
▲	ISSUED FOR CONSTRUCTION	09-30-02
No.	Description	Date

DWG ISSUE & REVISION HISTORY



Project Title:
ADDISON ARTS & EVENTS DISTRICT
 ADDISON, TEXAS

Drawing Title:
PLANTING PLAN

Project No. 14516.00 Scale: 1"=20'-0"
 Drawn By: CB
 Checked By: DC
 Approved By: MOD
 Date: September 30, 2002

Drawing No. **L1-2**

