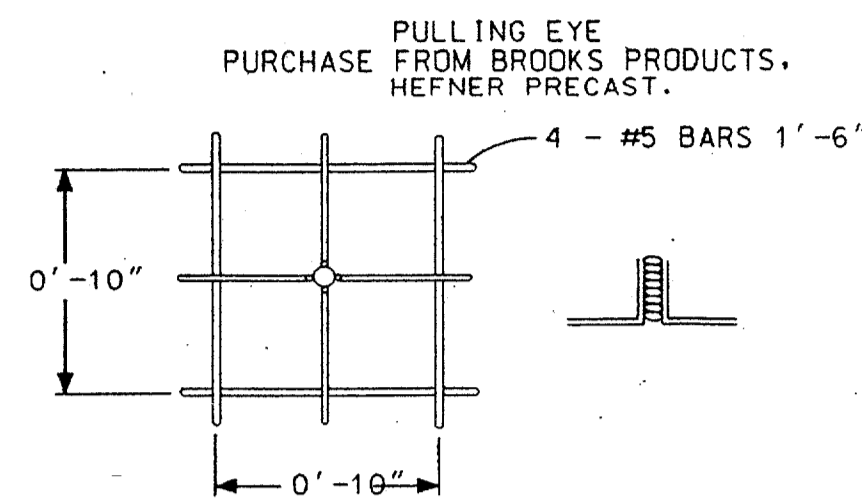
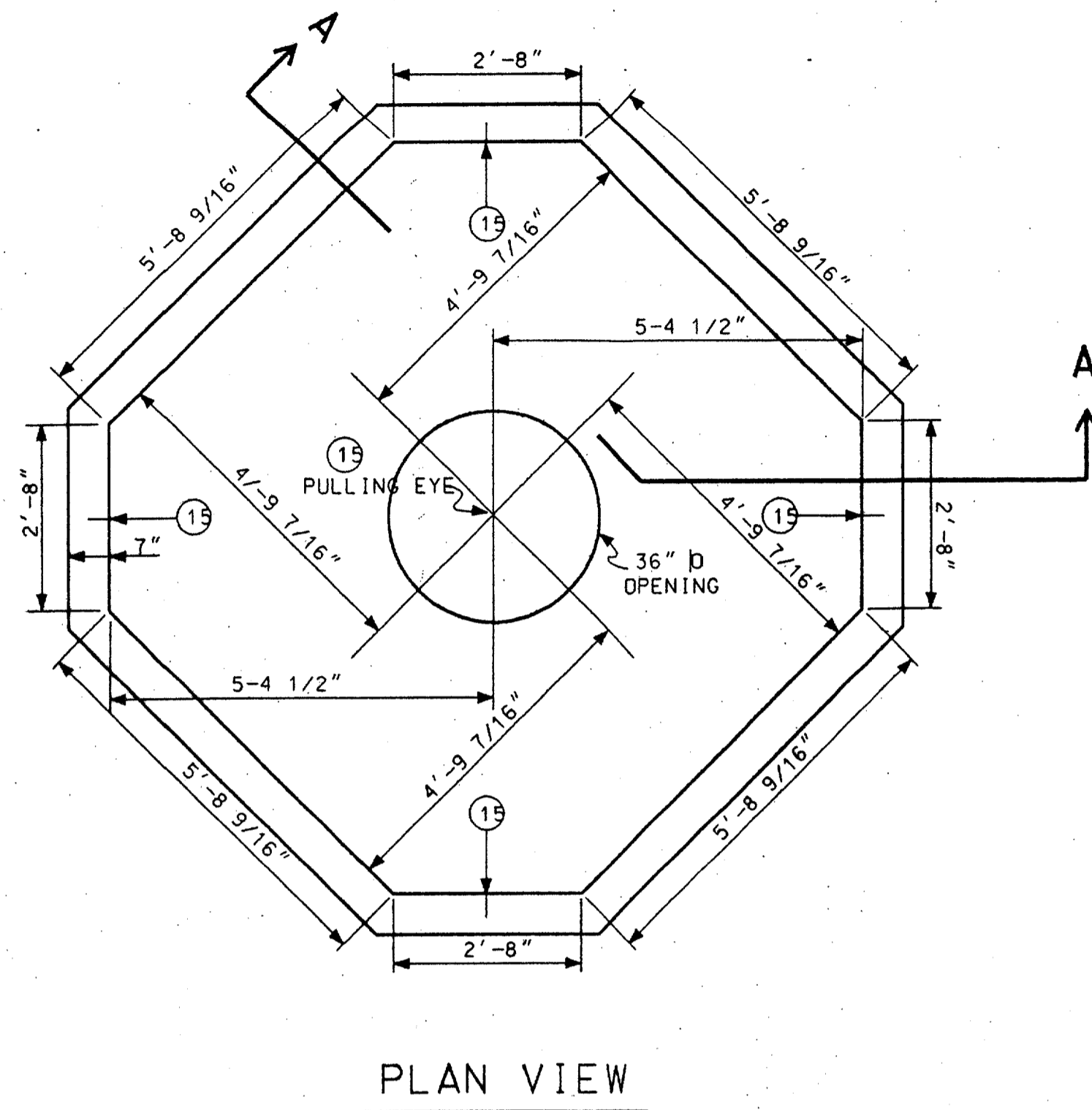
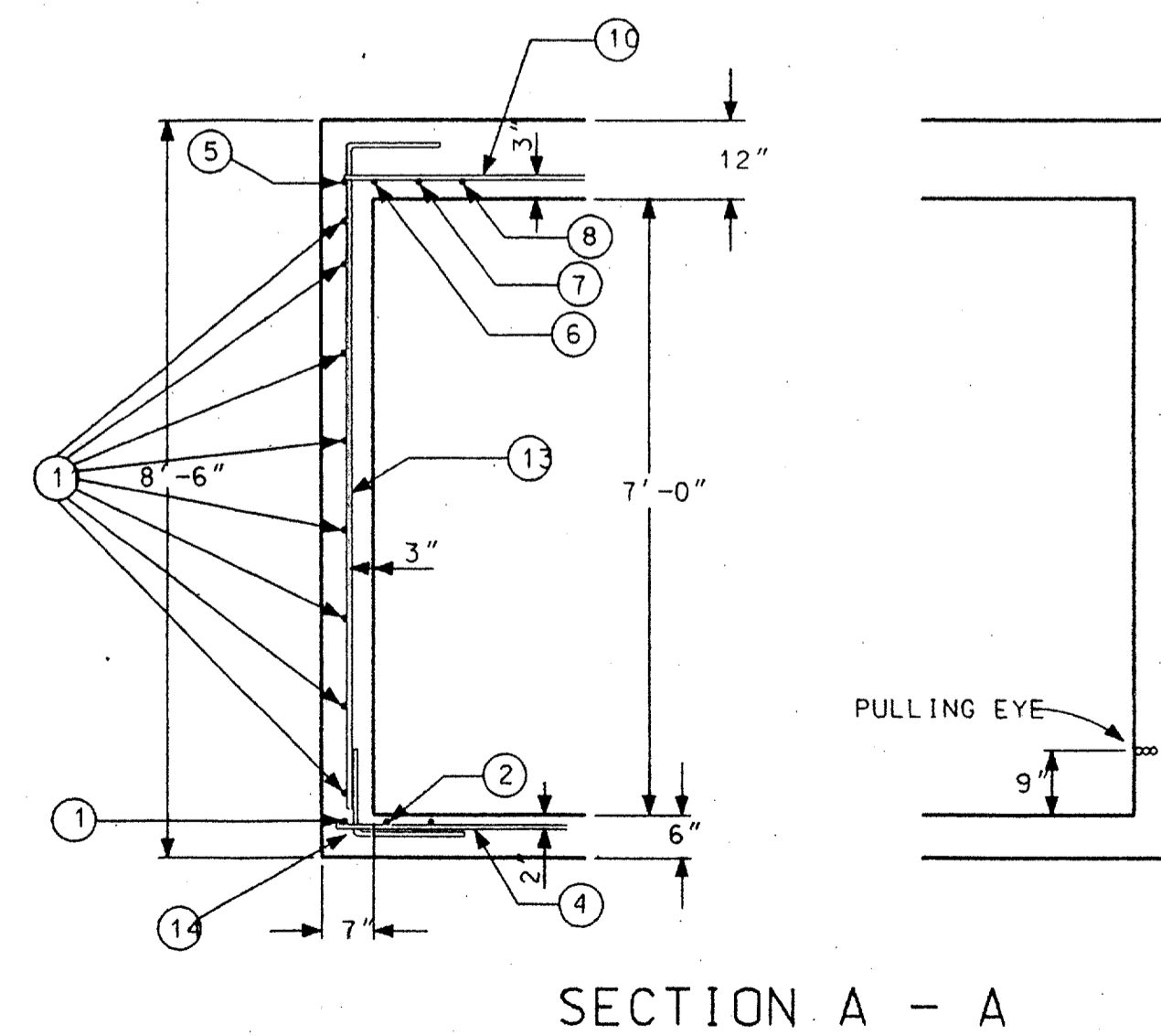
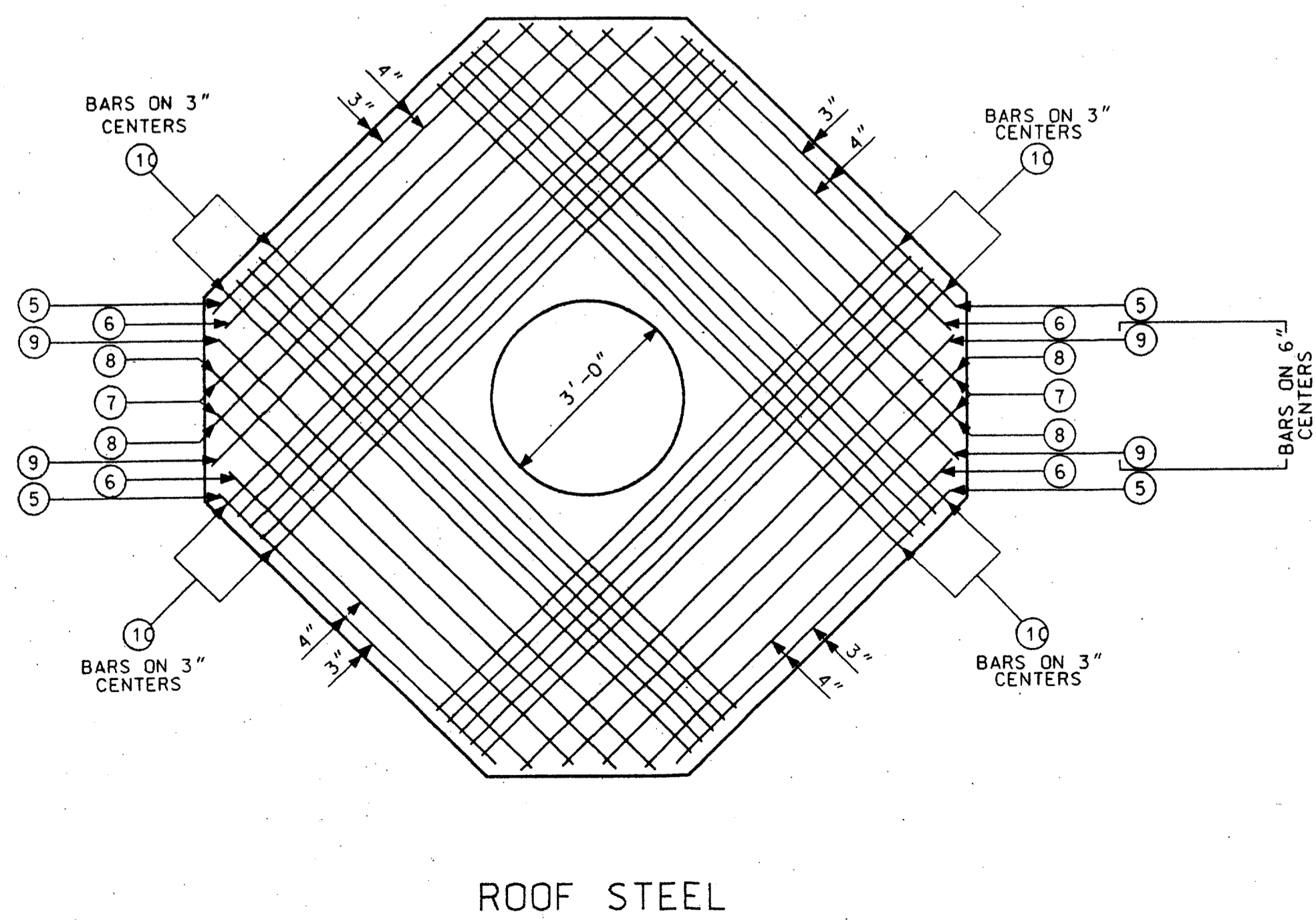
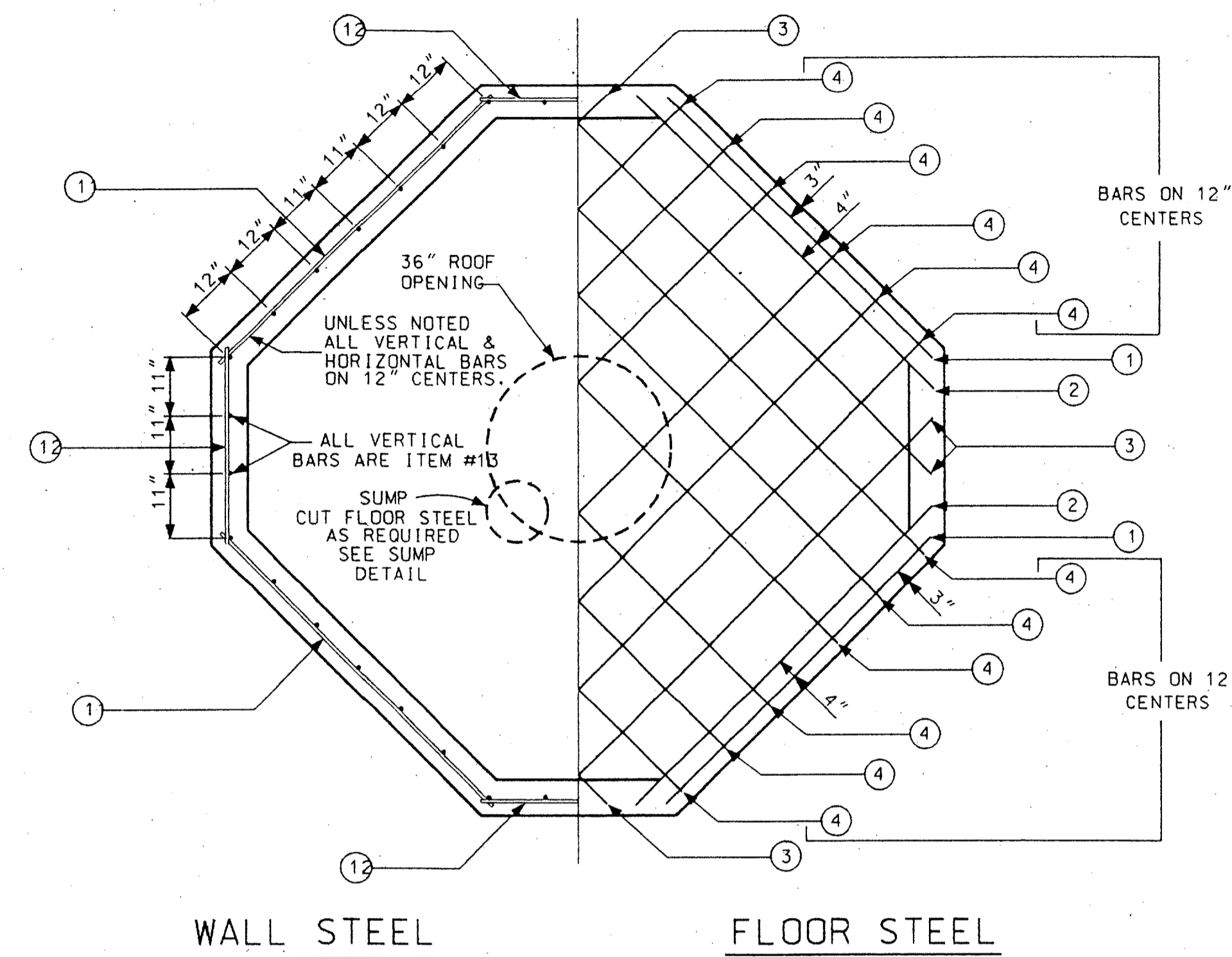
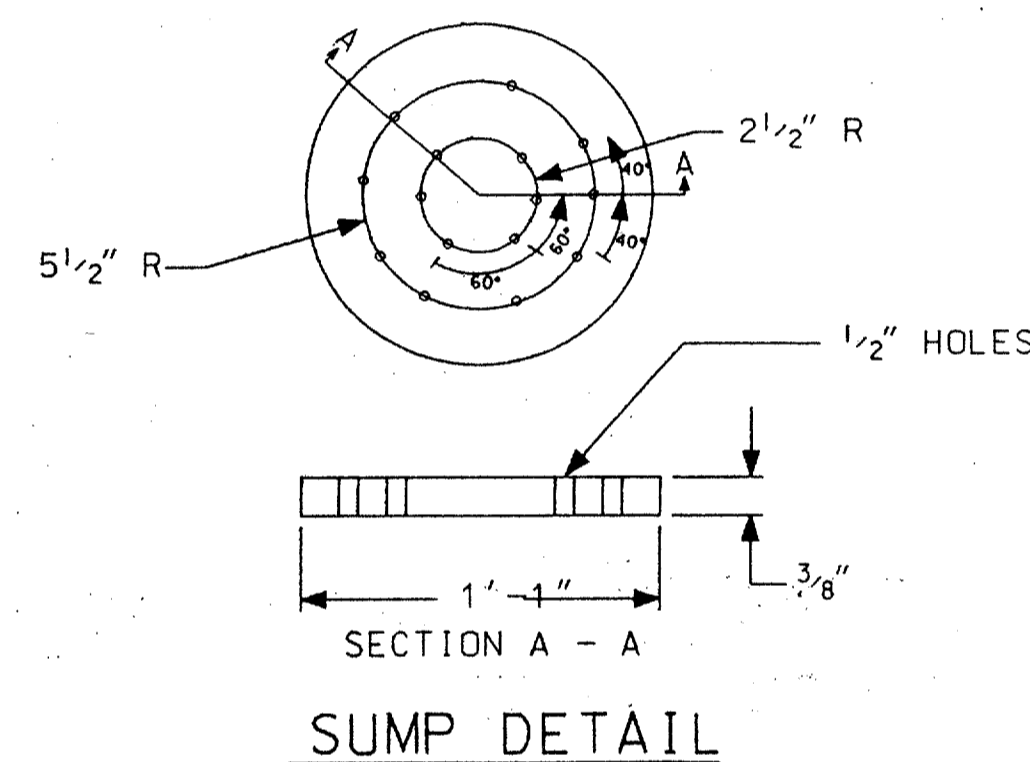
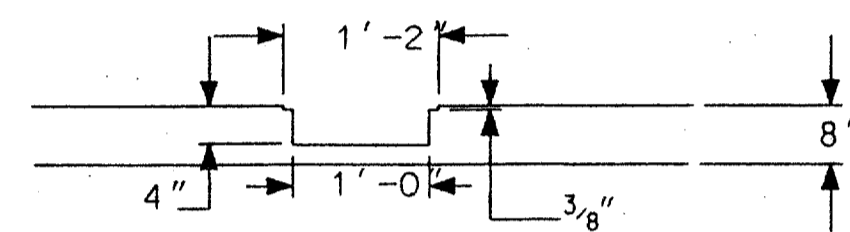


# DETAIL # 5



PULLING EYE DETAIL  
5 REQUIRED



MATERIALS FOR POURED IN PLACE MANHOLE

MARK	LENGTHS		QUANTITY			TOTAL	SHAPE	SIZE
	FT.	IN.	FLOOR	WALLS	ROOF			
1	6	1	4			24'-4"	ST.	#5
2	6	10	4			27'-4"	ST.	#5
3	8	10	4			35'-4"	ST.	#5
4	10	3	14			143'-6"	ST.	#5
5	6	1			4	24'-4"	ST.	#5
6	6	10			4	27'-4"	ST.	#5
7	7	10			4	31'-4"	ST.	#5
8	8	10			4	35'-4"	ST.	#5
9	9	10			4	39'-4"	ST.	#5
10	10	3			20	205'-0"	ST.	#5
11	6	3		32		200'-0"	ST.	#5
12	3	2		32		101'-4"	ST.	#5
13	8	9		36		315'-0"	7'-8"	#5
14	3	4	36			120'-0"	2'-1 1/4"	#5
15			1	4		5'-0"	PULLING EYE	1 1/2" X 6" BOLT

CONCRETE 1.94 CU. YDS. \$5.35 CU. YDS. \$3.85 CU. YDS. \$1.14 CU. YDS. \$3000 PSI  
 MANHOLE COVER & FRAME TU STD 310-050 1 EA. 3'-0" OPENING  
 VENDOR: WESTERN IRON WORKS, 21 EAST SIXTH ST. SAN ANGELO TX. 76903  
 OR: HEFNER PRECAST, DIVISION OF BROOKS PRODUCTS, 2229 NORTH MAIN, CLEBURNE TX. 76031  
 STEEL TO CONFORM TO THE LATEST STANDARD SPECIFICATION FOR DEFORMED BILLET-STEEL BARS FOR CONCRETE REINFORCEMENT.  
 SEE DETAIL #9 FOR CONCRETE SPECIFICATION  
 GENERAL NOTES SIMILAR TO TYPE "D" MANHOLE, SHEET #2.

"TYPE - 4-WAY"  
 10'-9" X 10'-9" X 7'-0"

TU ELECTRIC

CD

SCALE (H=)	(V=1/2"=1'-1")	LIST OF DRAWINGS	UNIT ID	DWG TYPE	ESTIMATE	W.A.	REVISION DESCRIPTION	DRAWN	CH.	APP.
NETWORK UNDERGROUND APPEARANCE SHEETS MANHOLE DETAILS										
DATE	05-12-92	DWN. MFD	CH. JRC	ENC. JRC	APP. JES	APP. PRN	W.A.	NO.	DATE	

E NUA-1  
SHEET NO. 3