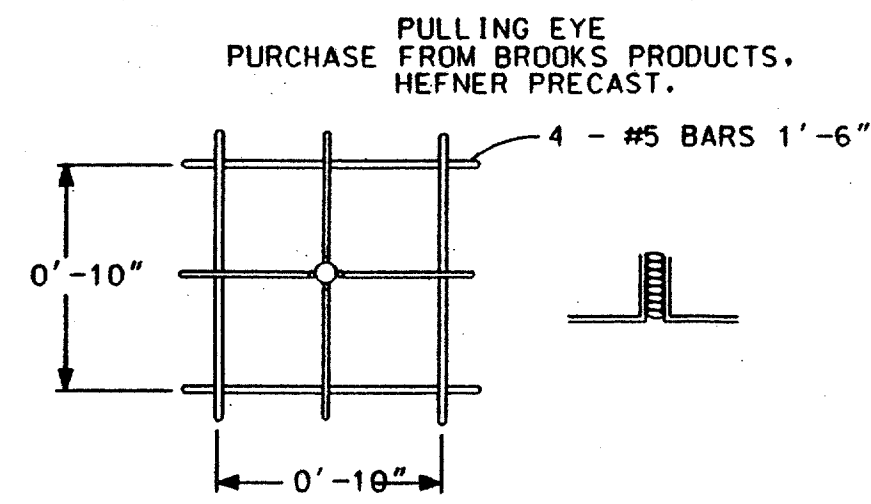
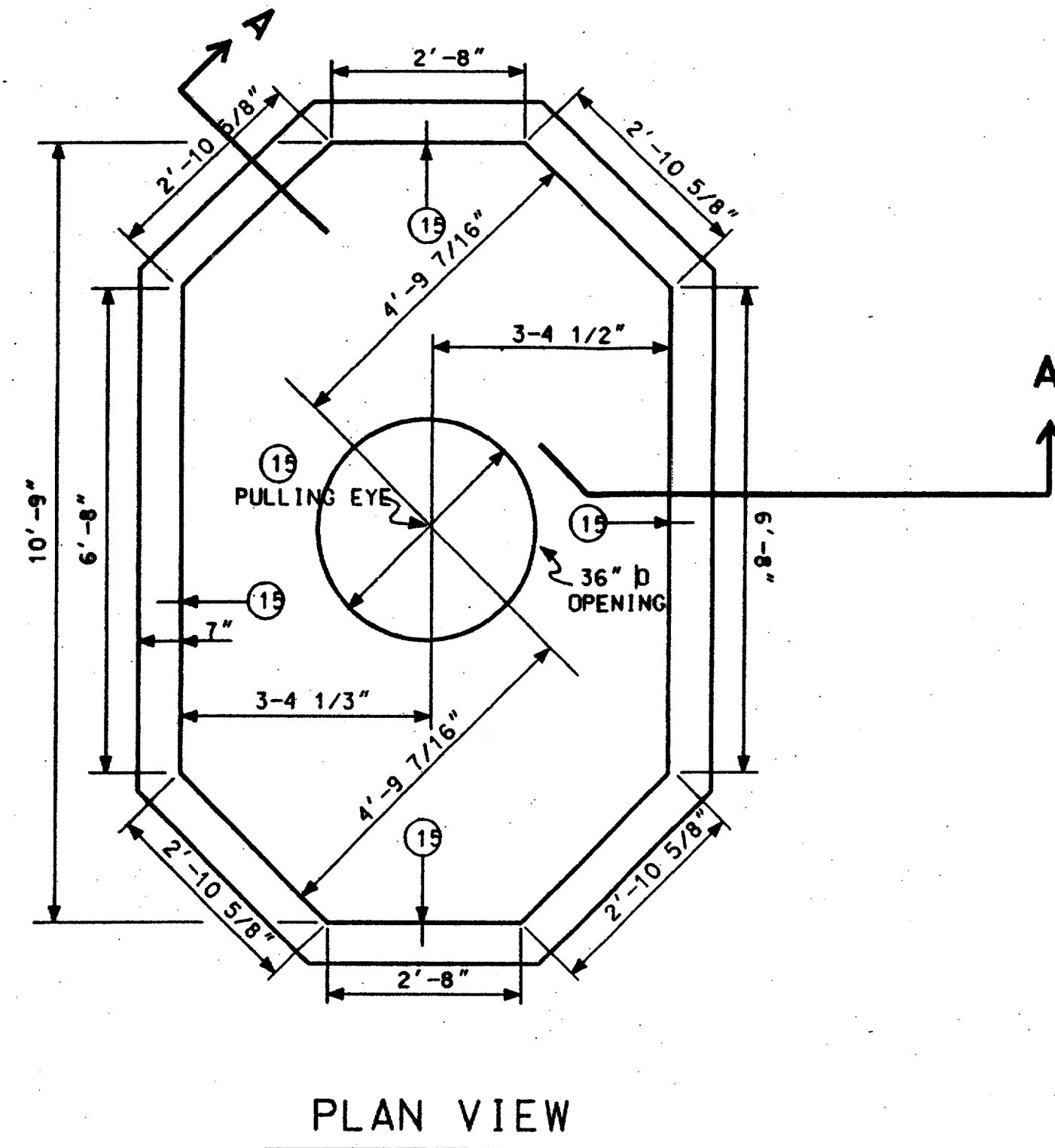
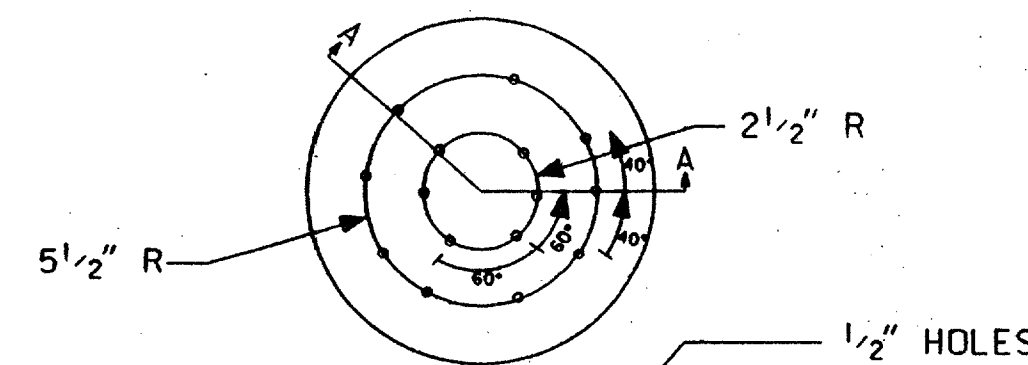
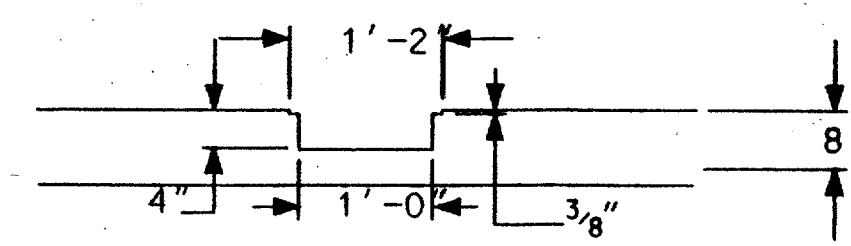


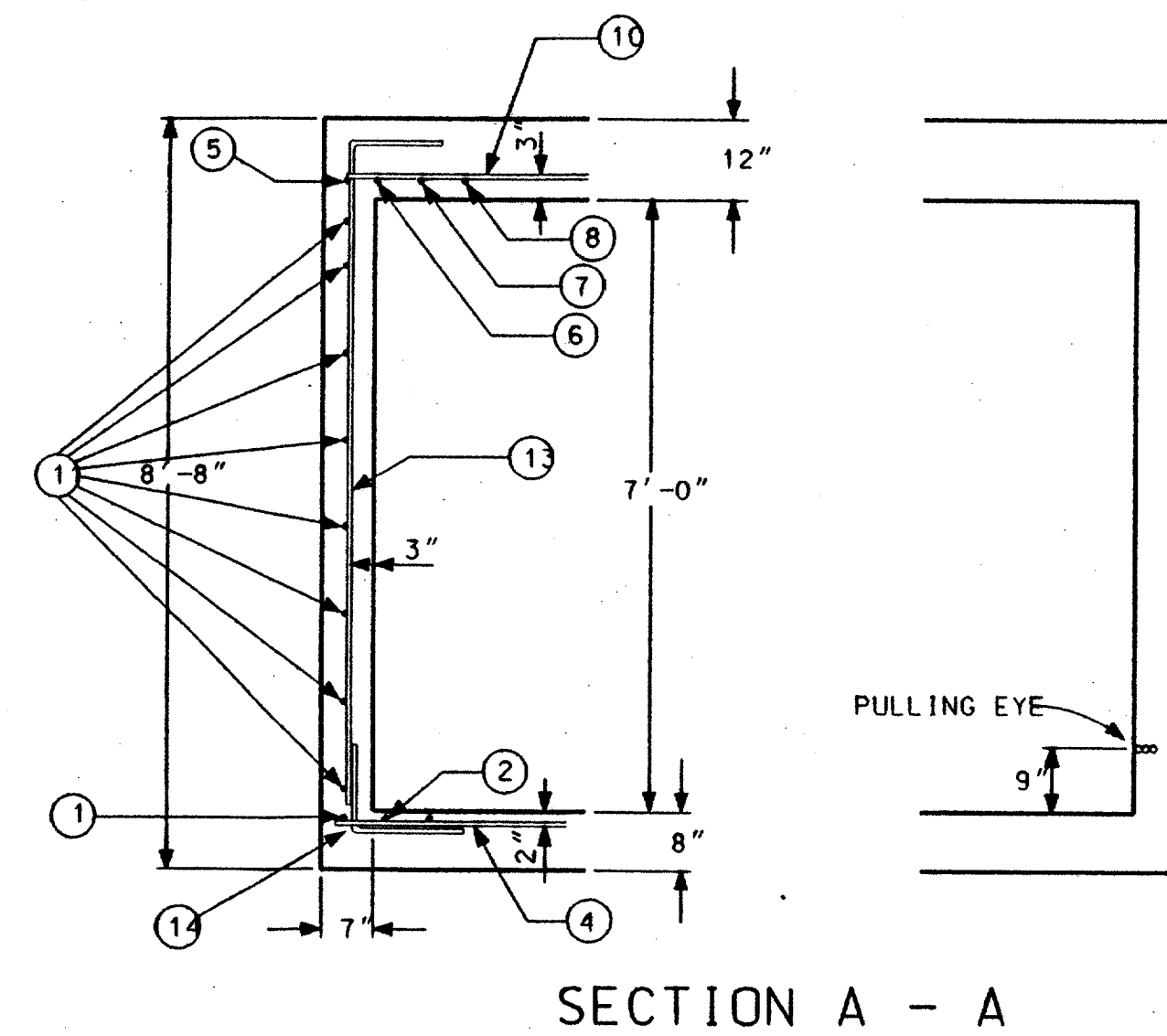
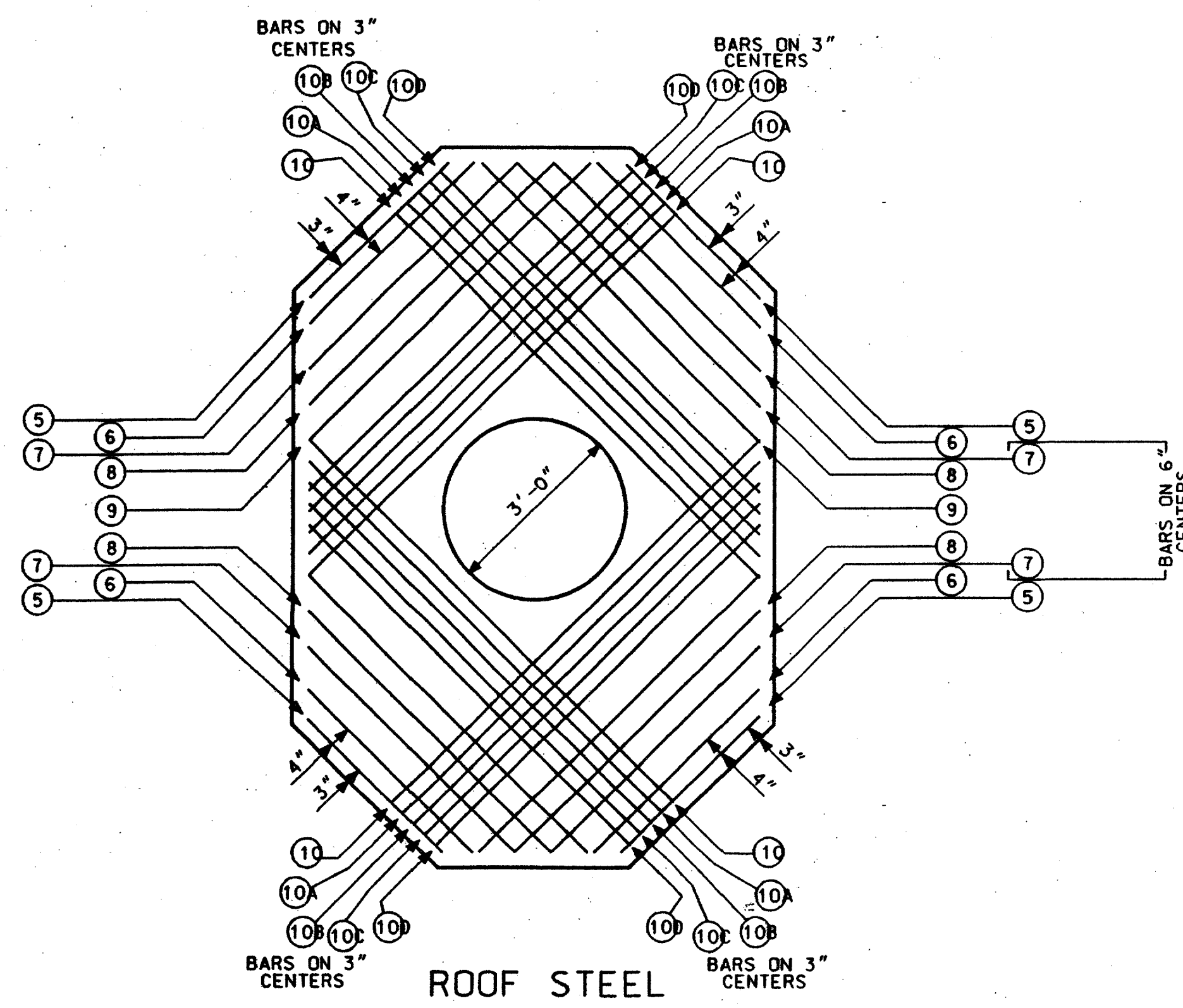
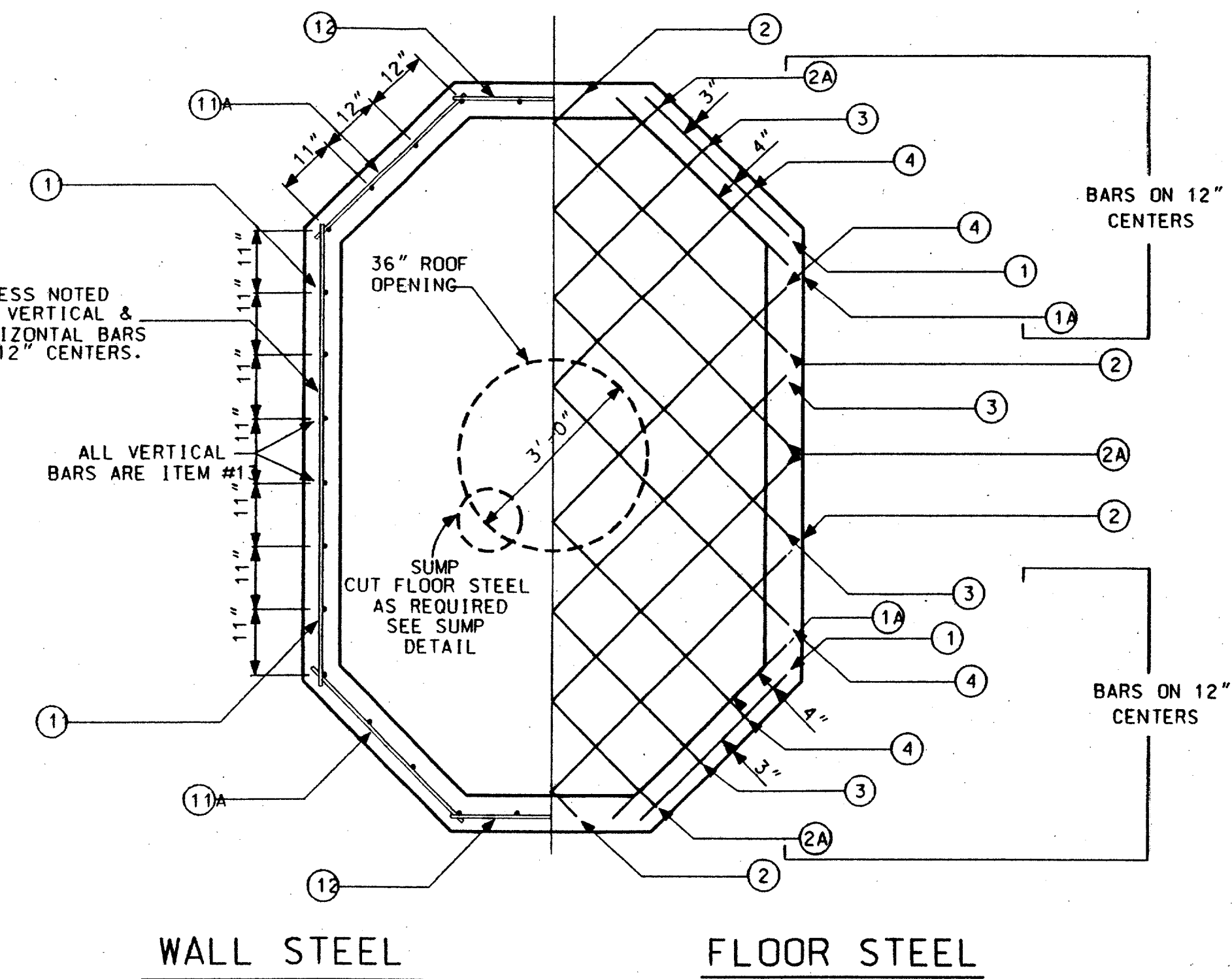
# DETAIL # 7



PULLING EYE DETAIL  
5 REQUIRED



SUMP DETAIL



"TYPE - 2-WAY"  
10'-9" X 6'-9" X 7'-0"

MATERIALS FOR POURED IN PLACE MANHOLE									
MARK	LENGTHS		QUANTITY				SHAPE	SIZE	
	FT.	IN.	FLOOR	WALLS	ROOF	TOTAL			
1	3	3	4			13'-0"	ST.	#5	
1A	3	10	4			15'-4"	ST.	#5	
2	5	10	4			23'-4"	ST.	#5	
2A	7	7	4			30'-4"	ST.	#5	
3	8	7	4			34'-4"	ST.	#5	
4	9	7	4			38'-4"	ST.	#5	
5	3	2			4	12'-8"	ST.	#5	
6	3	10			4	15'-4"	ST.	#5	
7	4	10			4	19'-4"	ST.	#5	
8	5	8			4	22'-8"	ST.	#5	
9	6	6			4	26'-0"	ST.	#5	
10	8	6			4	34'-0"	ST.	#5	
10A	8	3			4	33'-0"	ST.	#5	
10B	8	0			4	32'-0"	ST.	#5	
10C	7	9			4	31'-0"	ST.	#5	
10D	7	6			4	30'-0"	ST.	#5	
11	7	4		16		117'-4"	ST.	#5	
11A	3	5		32		109'-4"	ST.	#5	
12	3	2		16		50'-8"	ST.	#5	
13	8	9		36		315'-0"	7'-8"	#5	
14	3	4		36	4	120'-0"	2'-1'-4"	#5	
15			1	4		5'-0"	PULLING EYE 1'-2" X 6" Ø		
CONCRETE	1.94 CU.YD		35.35 CU.YD	3.85 CU.YD	11.14 CU.YD	53000 PSI			
MANHOLE COVER & FRAME	TU STD 310-050		1 EA.				3'-0" OPENING		
VENDOR:	WESTERN IRON WORKS, 21 EAST SIXTH ST. SAN ANGELO TX. 76031								
OR:	HEFNER PRECAST, DIVISION OF BROOKS PRODUCTS, 2229 NORTH MAIN, CLEBURNE TX. 76031								
STEEL TO CONFORM TO THE LATEST STANDARD SPECIFICATION FOR DEFORMED BILLET-STEEL BARS FOR CONCRETE REINFORCEMENT.									
SEE DETAIL # 9 FOR CONCRETE SPECIFICATION									
GENERAL NOTES SIMILAR TO TYPE "B" MANHOLE, SHEET #1.									

UNIT ID	DWG TYPE	REVISION DESCRIPTION	DATE	APP.

SCALE (H=)	LIST OF DRAWINGS	W.A.	APP. JRC	ENG. JRC	CH. JRC	DWN. MED	DATE 05-12-92
(V=1/2"=1'-0")							