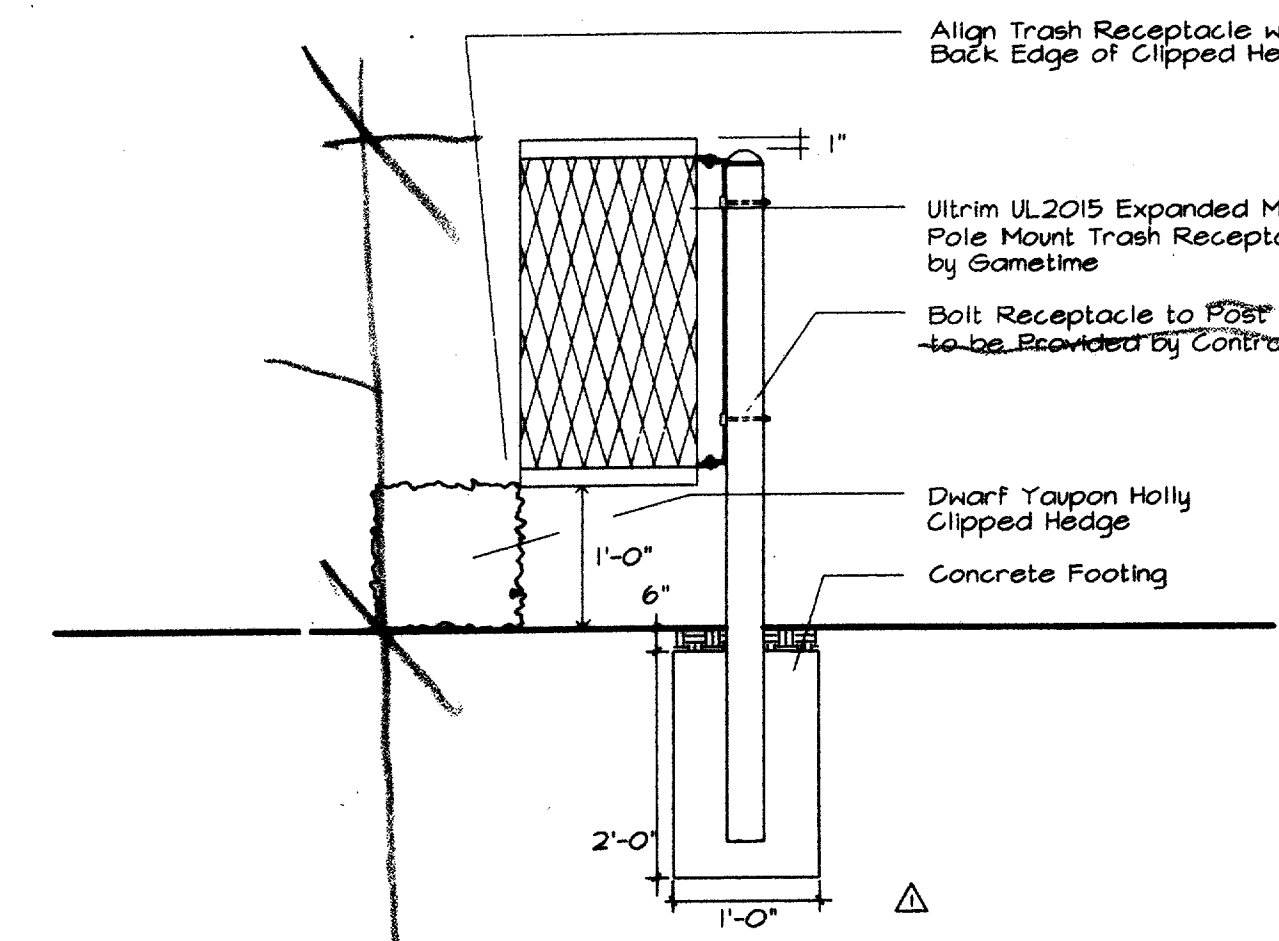
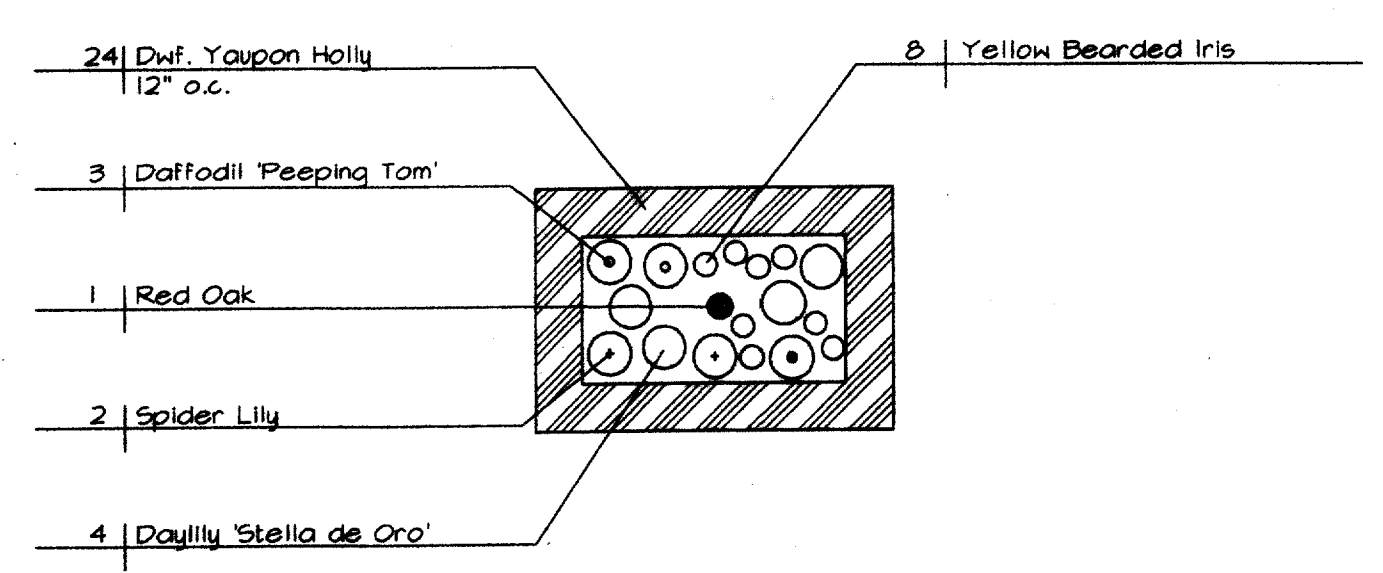


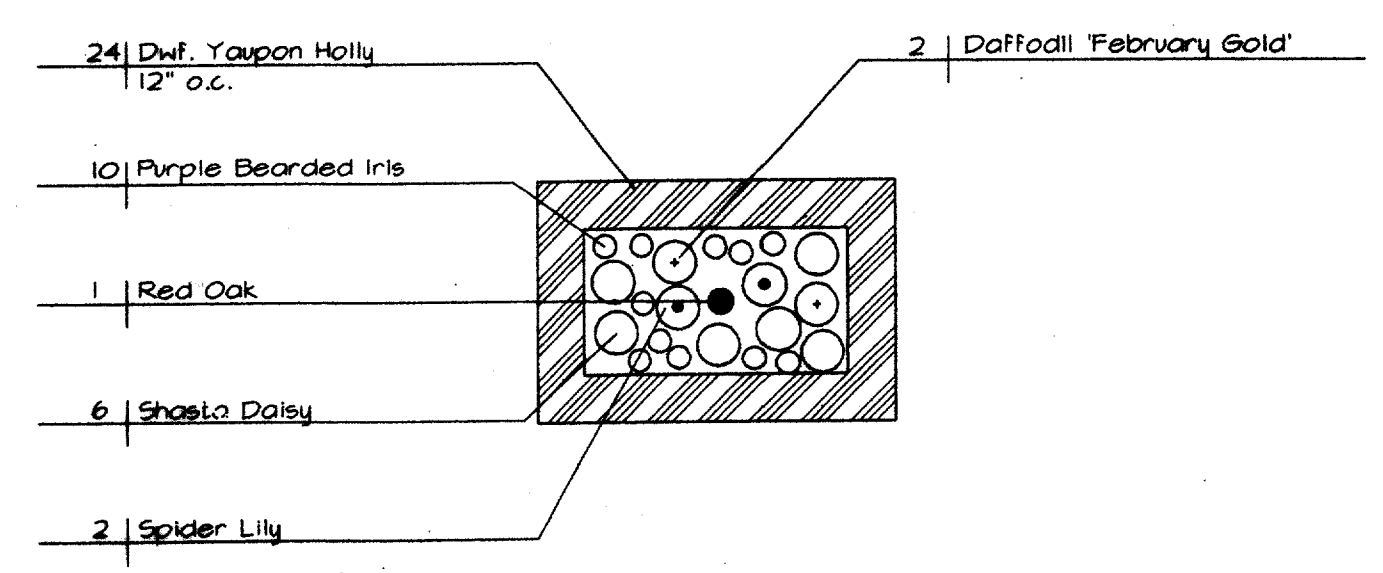
13 Trash Receptacle Mounting Scale: 3/4"=1'-0"



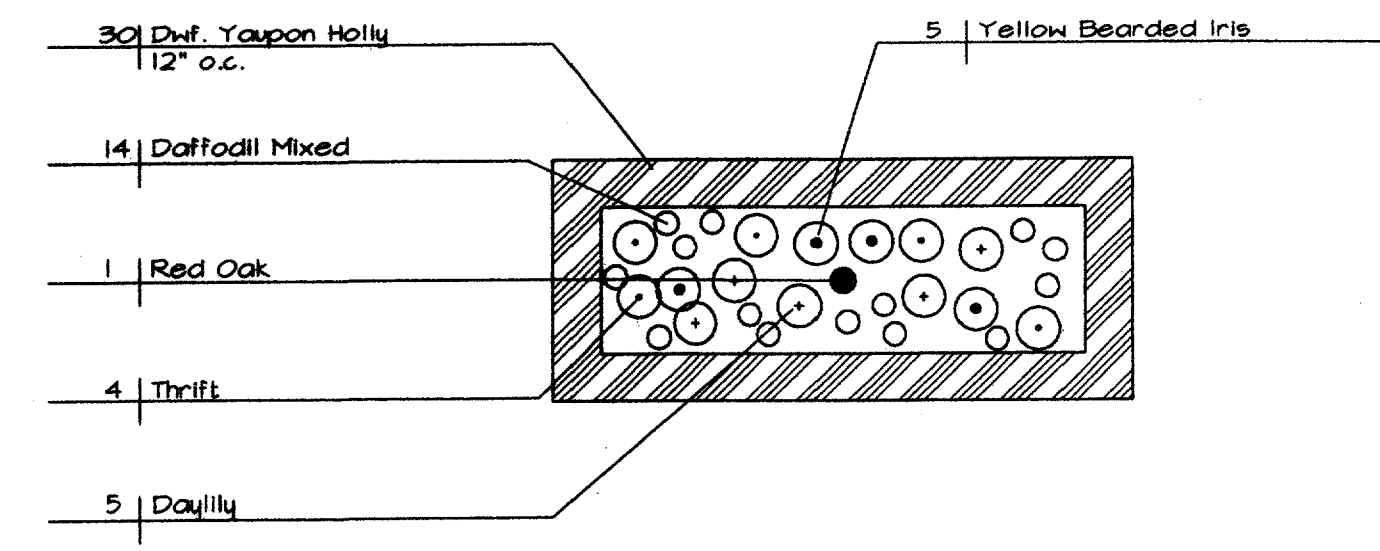
12 Trash Receptacle Mounting Scale: 3/4"=1'-0"



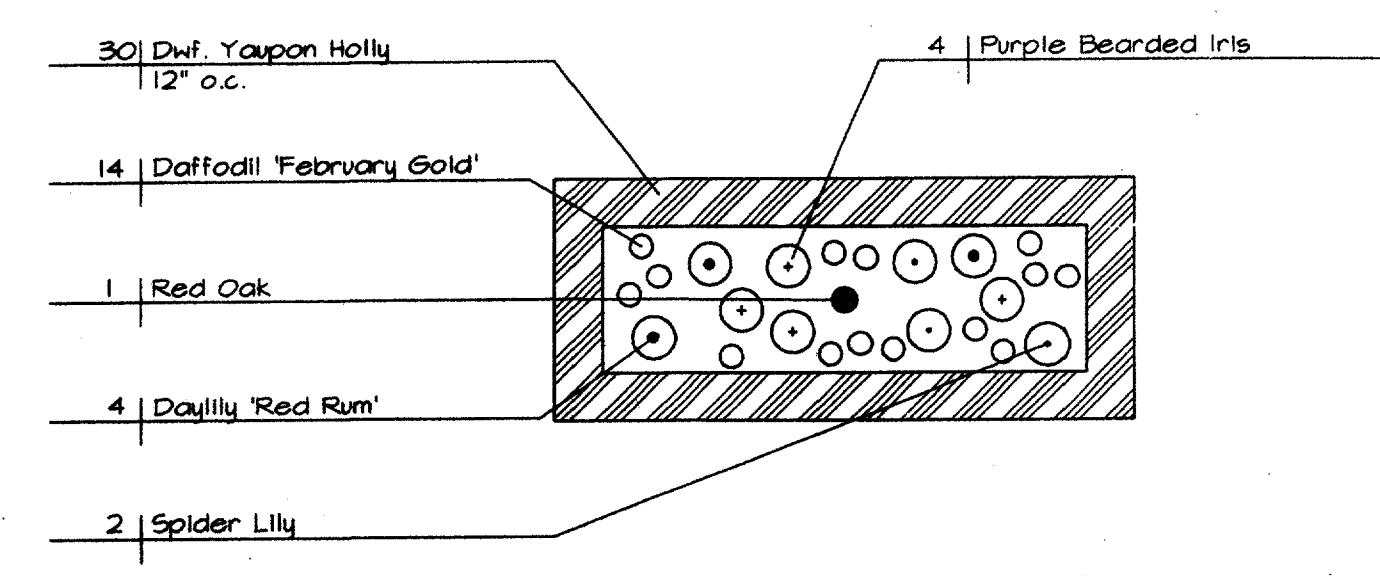
11 Tree Well Planting 'A5' Scale: 1/4"=1'-0"



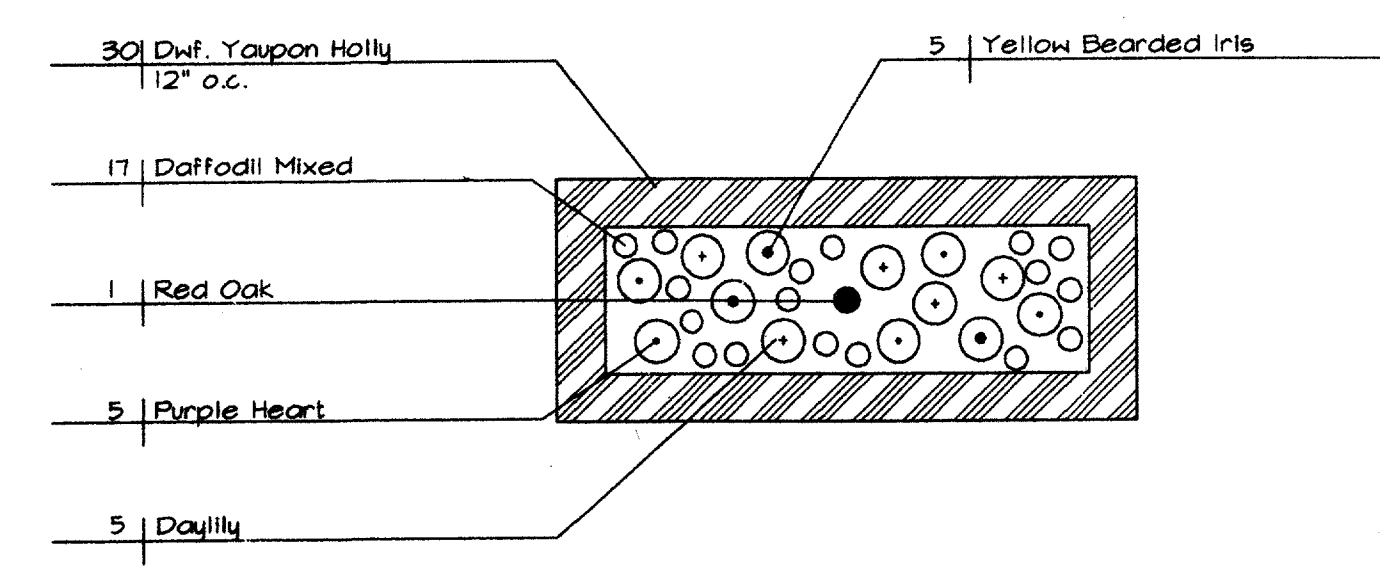
10 Tree Well Planting 'A4' Scale: 1/4"=1'-0"



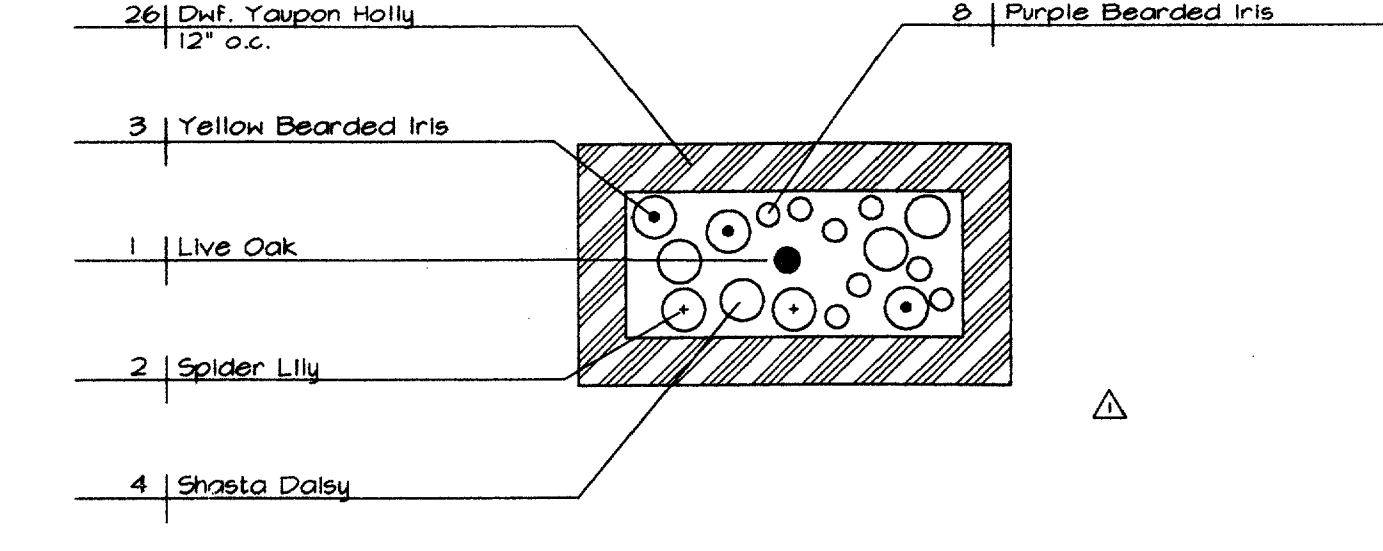
9 Tree Well Planting 'A3' Scale: 1/4"=1'-0"



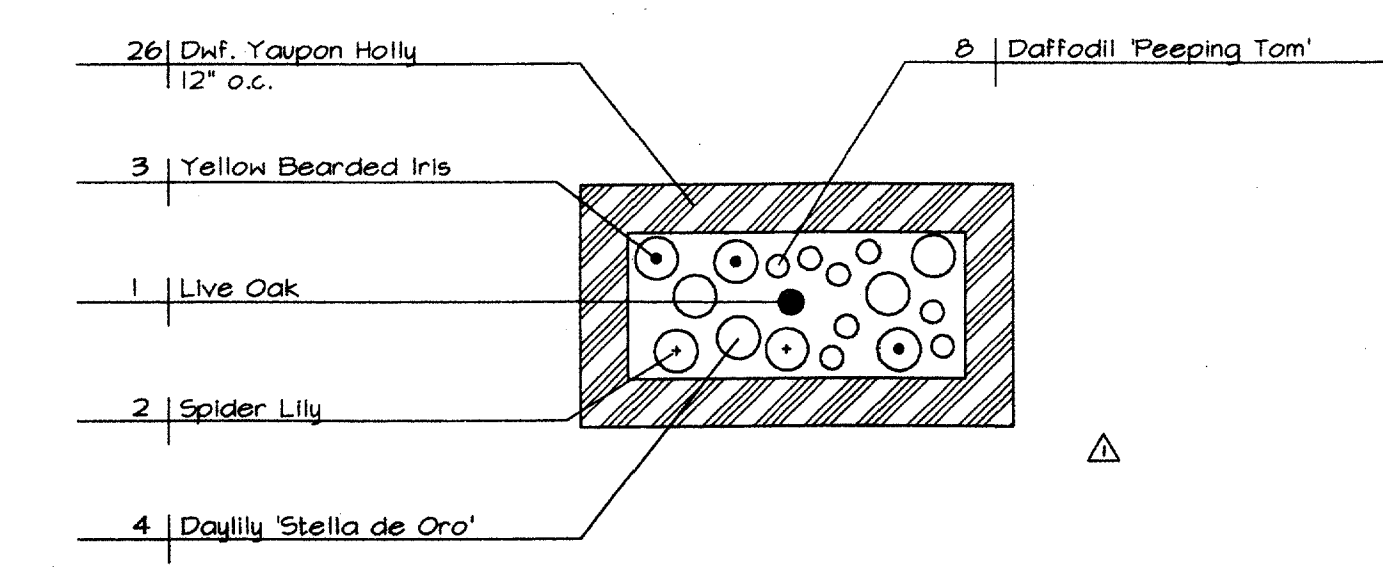
8 Tree Well Planting 'A2' Scale: 1/4"=1'-0"



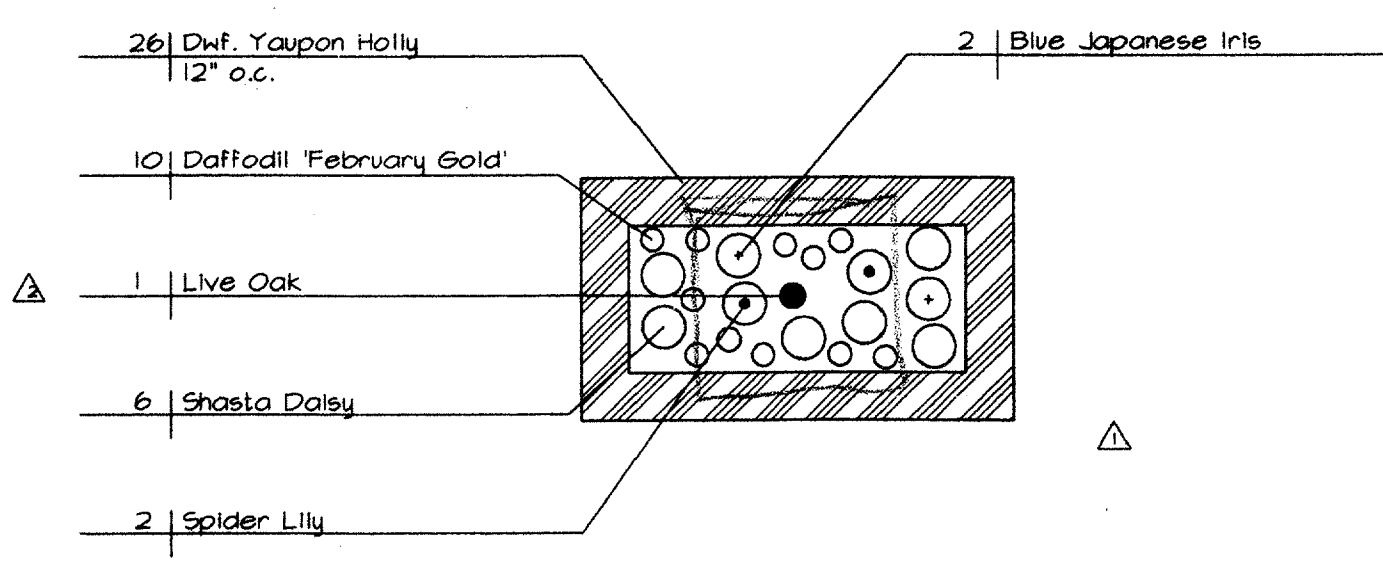
7 Tree Well Planting 'A1' Scale: 1/4"=1'-0"



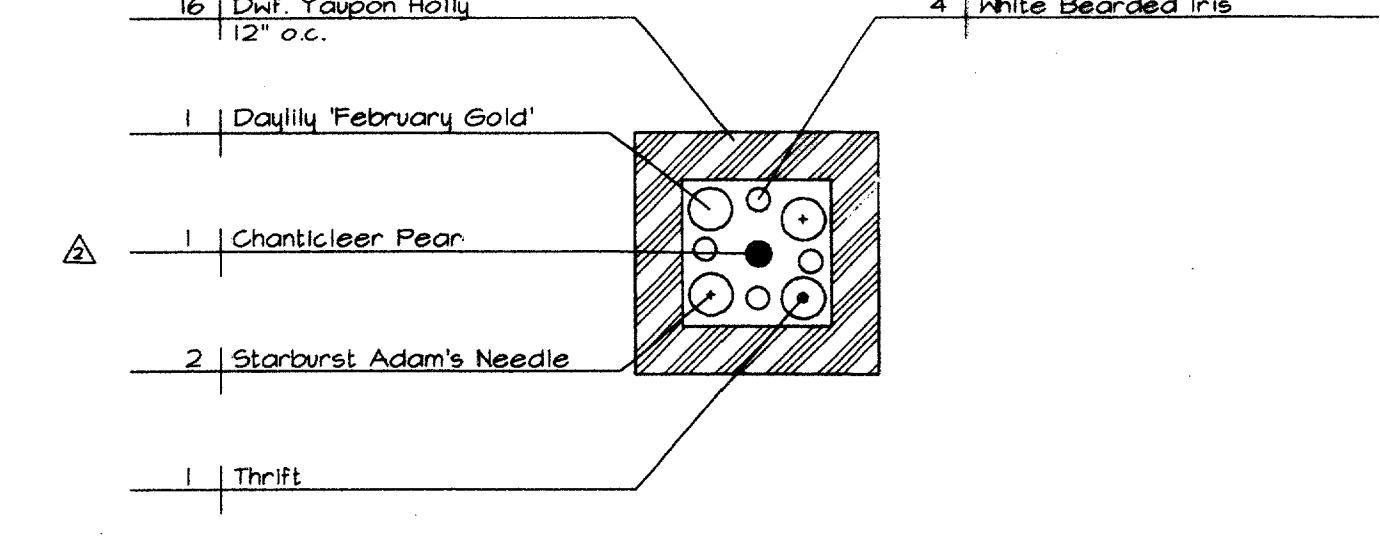
6 Tree Well Planting 'B3' Scale: 1/4"=1'-0"



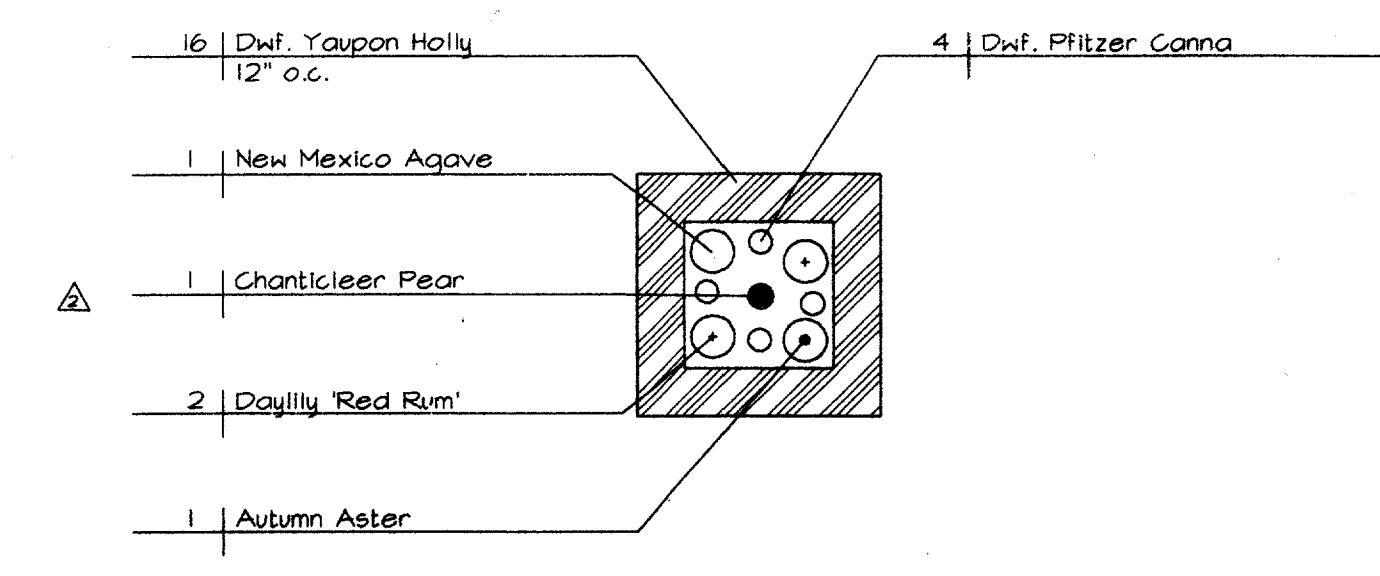
5 Tree Well Planting 'B2' Scale: 1/4"=1'-0"



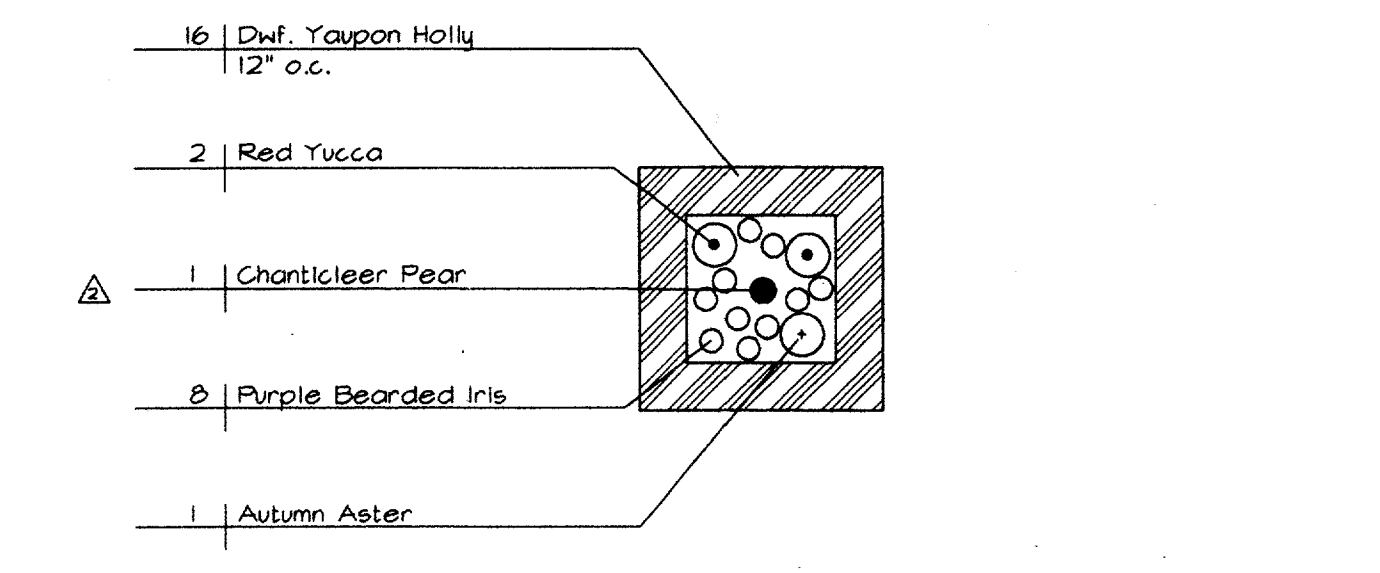
4 Tree Well Planting 'B1' Scale: 1/4"=1'-0"



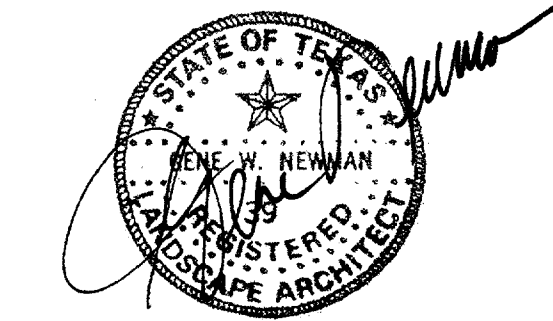
3 Tree Well Planting 'C3' Scale: 1/4"=1'-0"



2 Tree Well Planting 'C2' Scale: 1/4"=1'-0"



1 Tree Well Planting 'C1' Scale: 1/4"=1'-0"



RECORD DRAWING 5/1/98

- Revisions:
- △ 1-18-96 Change to size of planters  
Change to plant quantity
  - Revisions:
  - △ 1-22-96 Addendum #2
  - Revisions:
  - △ 1-26-96 Addendum #3

Issued for Construction  
March 28, 1996

|   |             |
|---|-------------|
| Newman, Jackson, Bieberstein, Inc.<br>Landscape Architecture Urban and Development Planning<br>12710 Coit Road, Suite 210 Dallas, Texas (214) 293-2033 Fax (214) 293-2022 |             |
| Details   |             |
| ADDISON CIRCLE  |             |
| PHASE 1   |             |
| TOWN OF ADDISON, TEXAS  |             |
| Hutt-Zollars, Inc./Engineering/Architecture<br>Dallas, Fort Worth, Houston, El Paso, Phoenix, Austin, Ontario, San Clemente   |             |
| DESIGN  | PROJECT NO. |
| PS  | 0030-95     |
| DRAWN   | NO.         |
| TS  | 129         |
| APPR.   | 137         |
| GN  |             |
| SCALE   |             |
| DATE  |             |
| 12-4-95   |             |