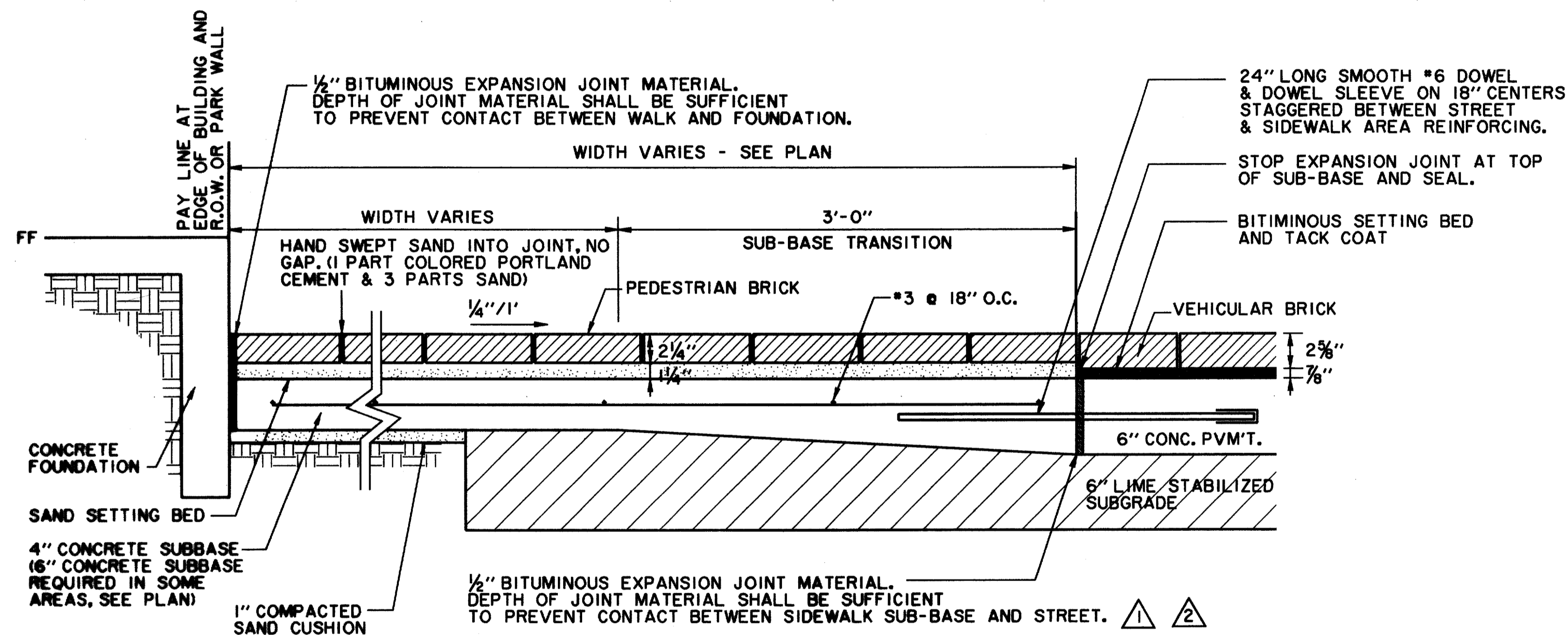
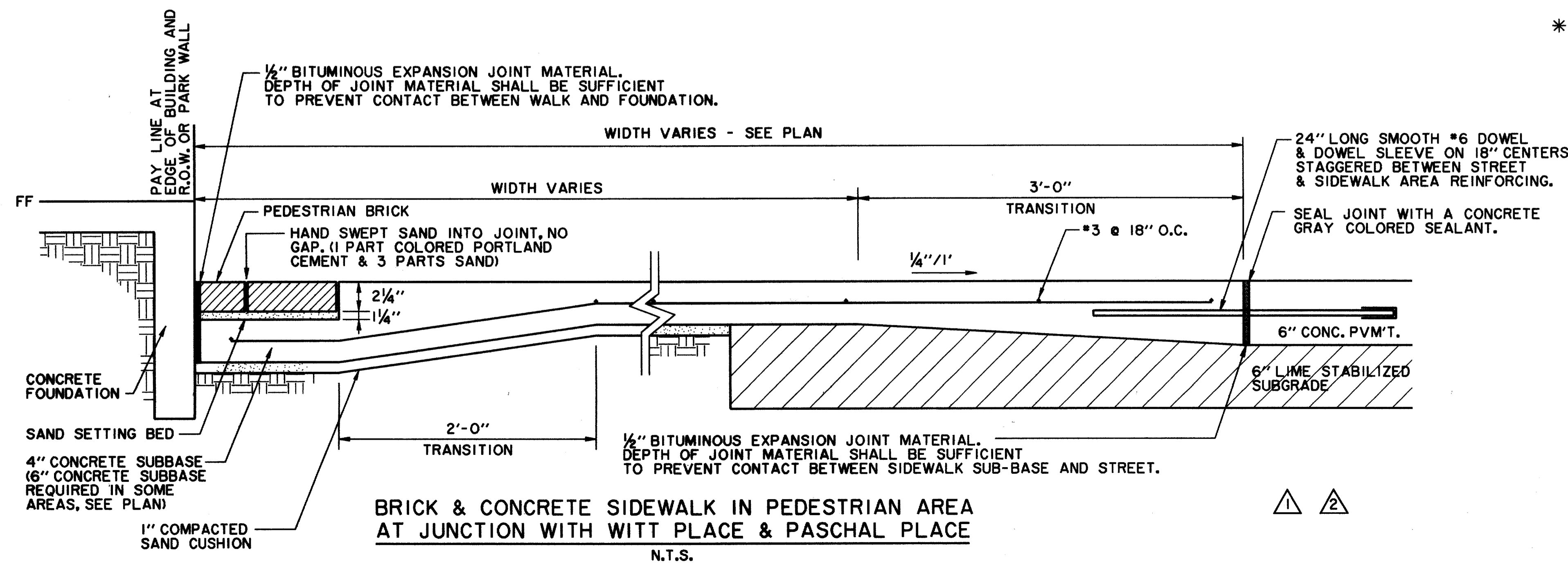


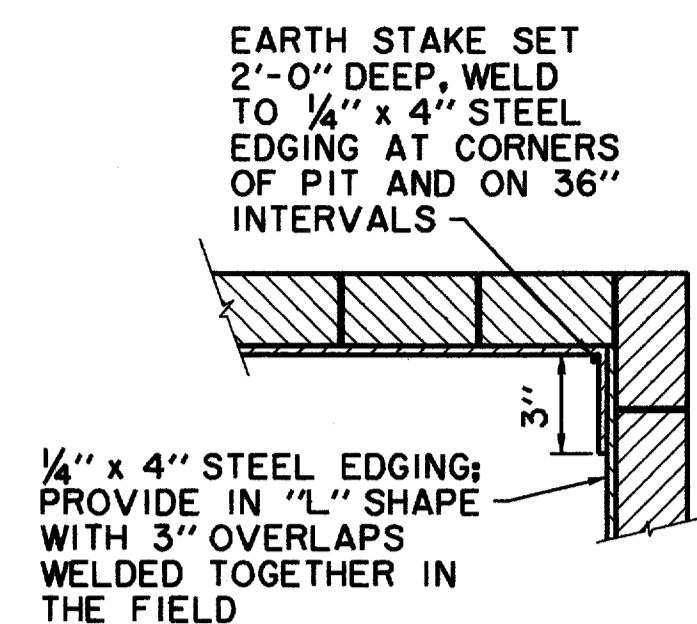
ALTERNATE BRICK SIDEWALK IN PEDESTRIAN AREA
WEST SIDE OF PASCHAL PLACE
N.T.S.



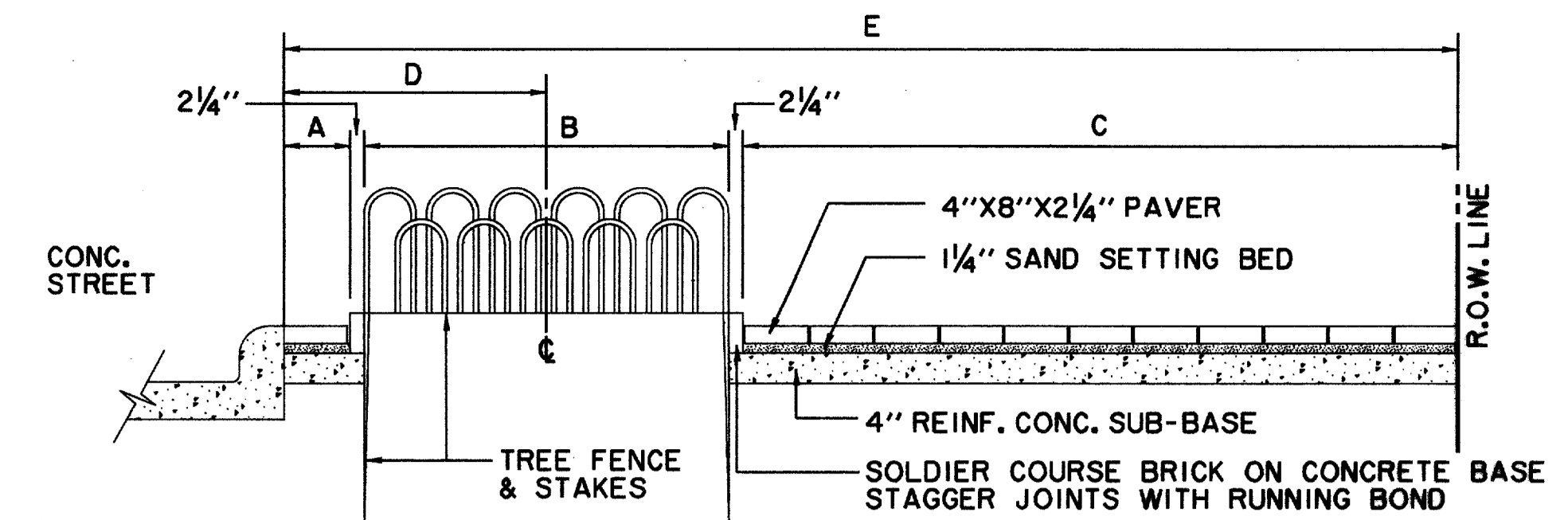
BRICK SIDEWALK IN PEDESTRIAN AREA
AT JUNCTION WITH WITT PLACE & PASCHAL PLACE
N.T.S.



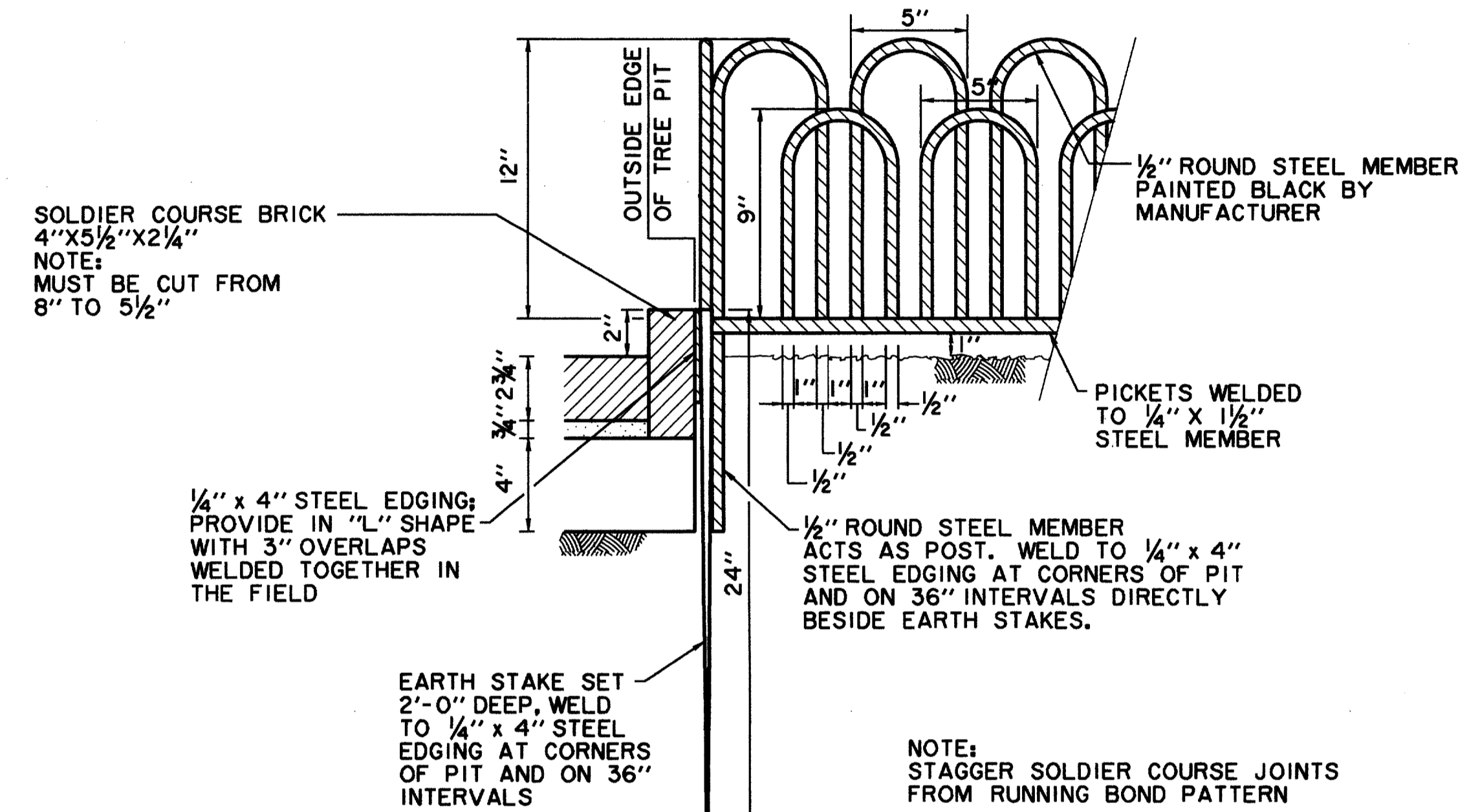
BRICK & CONCRETE SIDEWALK IN PEDESTRIAN AREA
AT JUNCTION WITH WITT PLACE & PASCHAL PLACE
N.T.S.



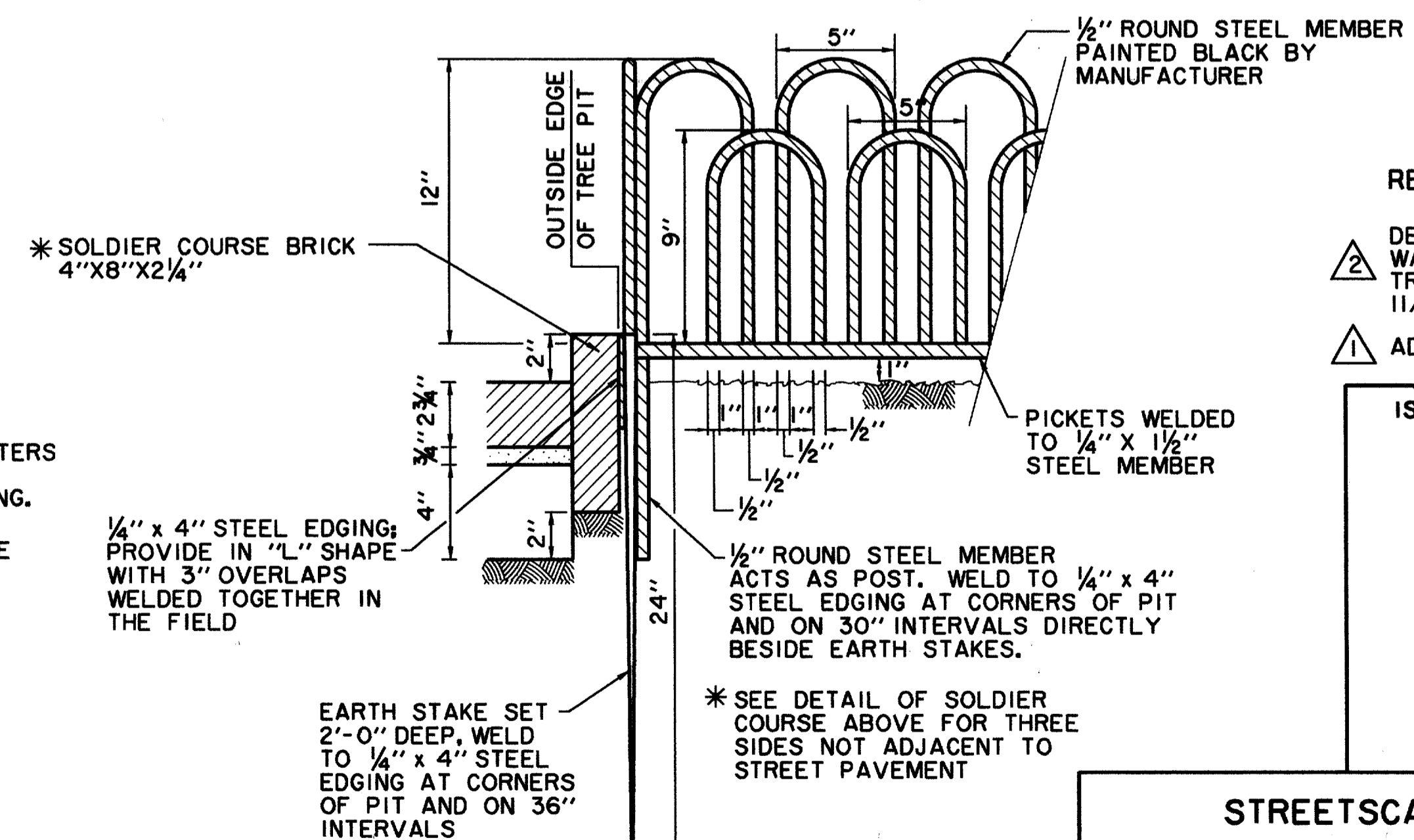
STEEL EDGING
OVERLAP DETAIL
N.T.S.



LOCATION	A	B	C	D	E
QUORUM DRIVE	8 1/4"	5'-0"	7'-11 1/4"	3'-4 1/2"	14'-0"
GOODMAN AVENUE	8 1/4"	5'-0"	5'-11 1/4"	3'-4 1/2"	12'-0"
MORRIS AVENUE	8 1/4"	5'-0"	5'-11 1/4"	3'-4 1/2"	12'-0"
WITT PLACE	0	5'-0"	5'-1 1/2"	2'-8 1/4"	10'-6"
PASCHAL PLACE	0	5'-0"	5'-1 1/2"	2'-8 1/4"	10'-6"
MODERN ROUNDABOUT	VARIES	5'-0"	VARIES	VARIES	VARIES



TREE FENCE
QUORUM DR., GOODMAN AVE., MORRIS AVE. & MODERN ROUNDABOUT
N.T.S.



TREE FENCE
WITT PLACE AND PASCHAL PLACE
(ADJACENT TO STREET ONLY)
N.T.S.

RECORD DRAWING 5/1/98

DELETED DETECTABLE
WARNING STRIP, ADDED
TREE FENCE DETAILS
11/15/96

ADDENDUM #4 2/16/96

ISSUED FOR CONSTRUCTION
MARCH 28, 1996

THE SEAL APPEARING ON THIS
DOCUMENT WAS AUTHORIZED BY
KENNETH A. ROBERTS, P.E. 55446
ON MARCH 28, 1996.



STREETSCAPE DETAILS

ADDISON CIRCLE

PHASE I PUBLIC INFRASTRUCTURE

TOWN OF ADDISON, TEXAS

Hultt-Zollars, Inc./Engineering/Architecture
Dallas, Fort Worth, Houston, El Paso, Phoenix, Tustin, Ontario, San Clemente

DESIGN	DRAWN	APPR.	SCALE	DATE	PROJECT NO.	NO.
HZI	HZI	KAR	N.T.S.	JAN 96	1822-04	55A 137