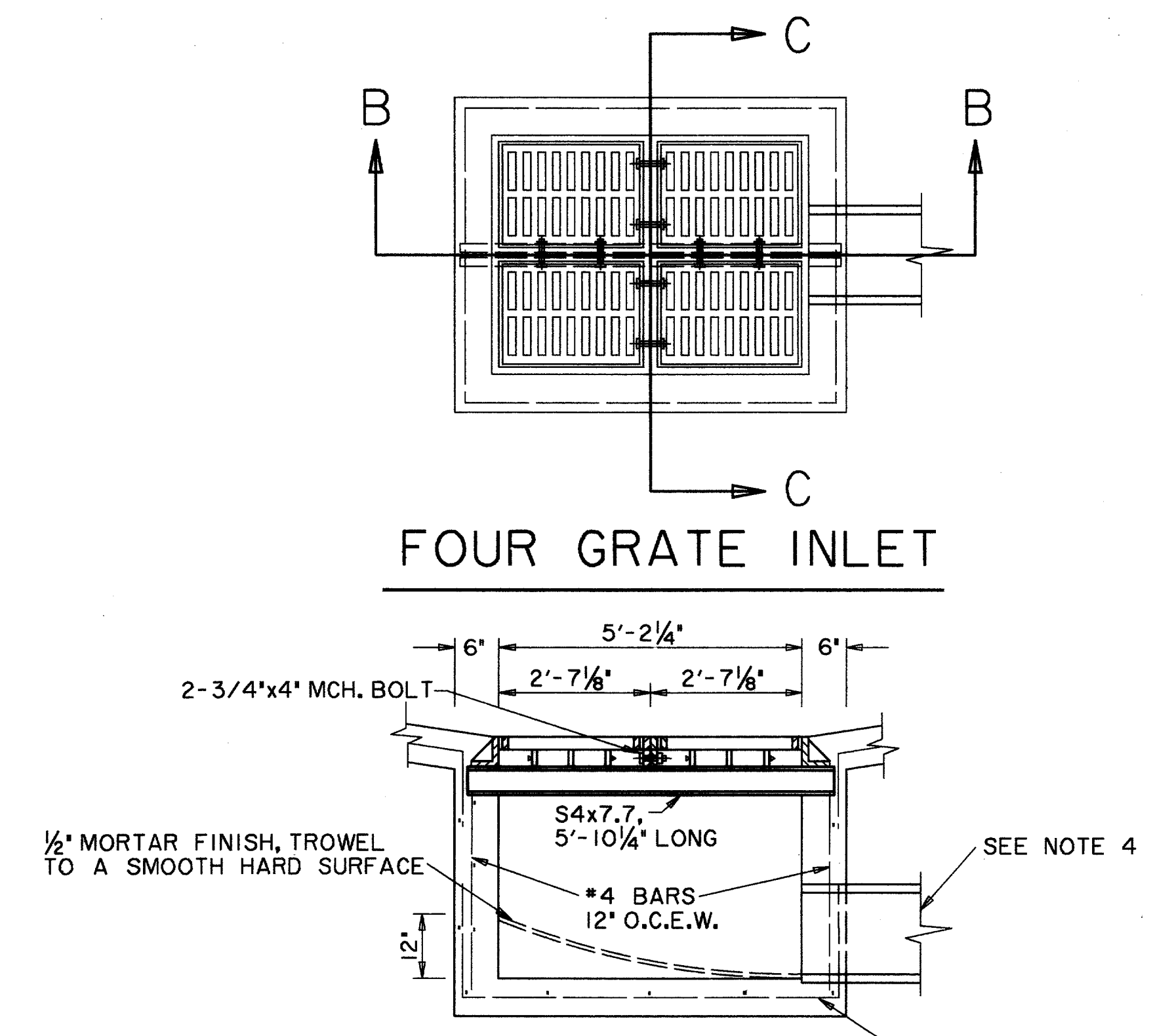
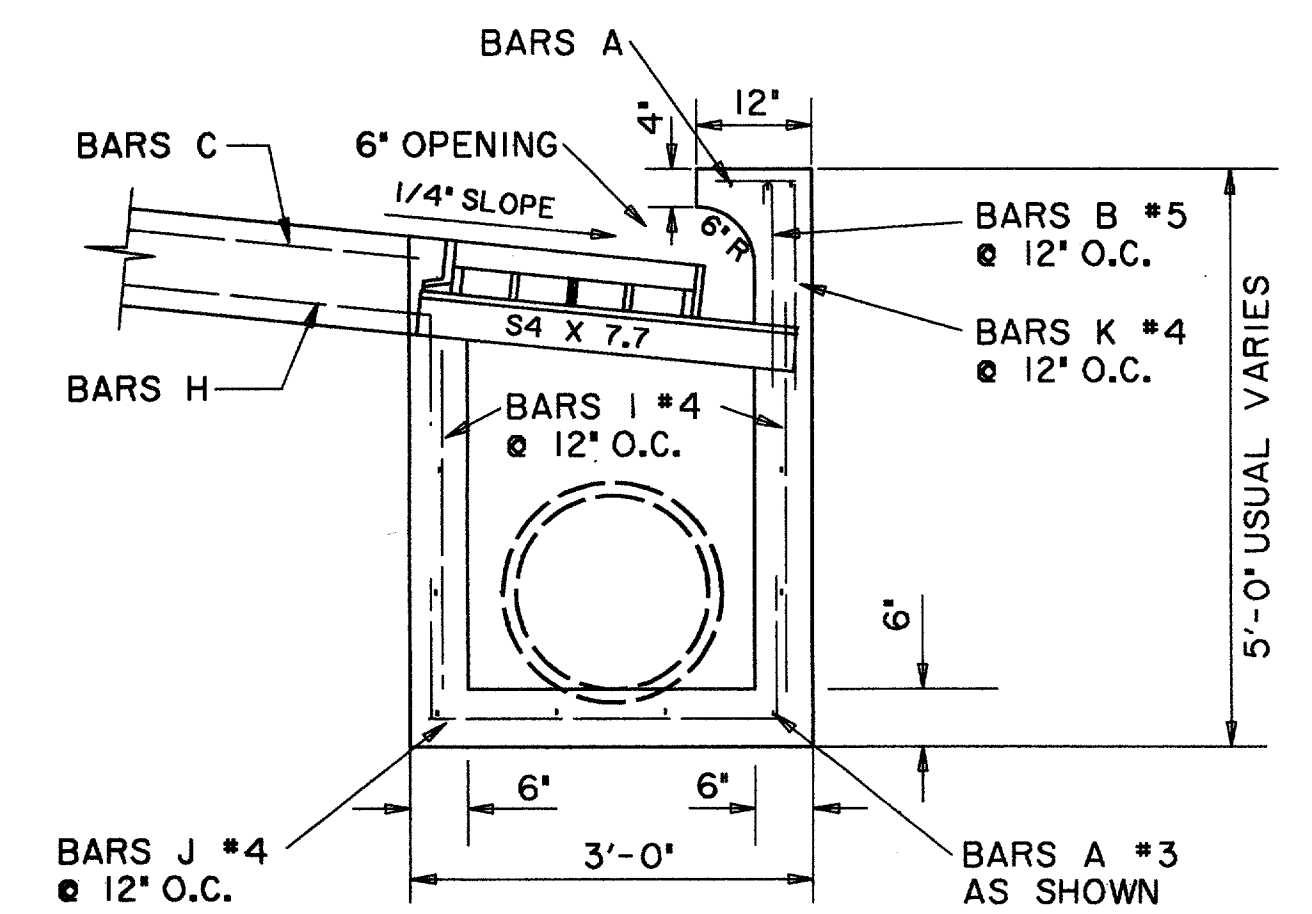


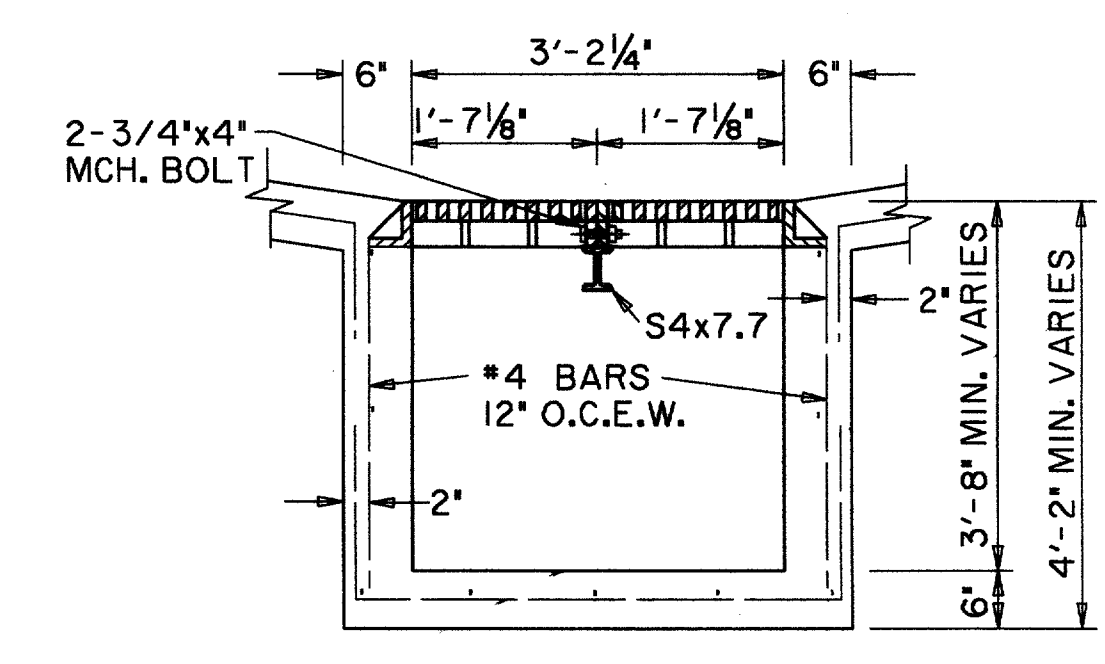
THREE GRATE COMBINATION INLET



SECTION B-B

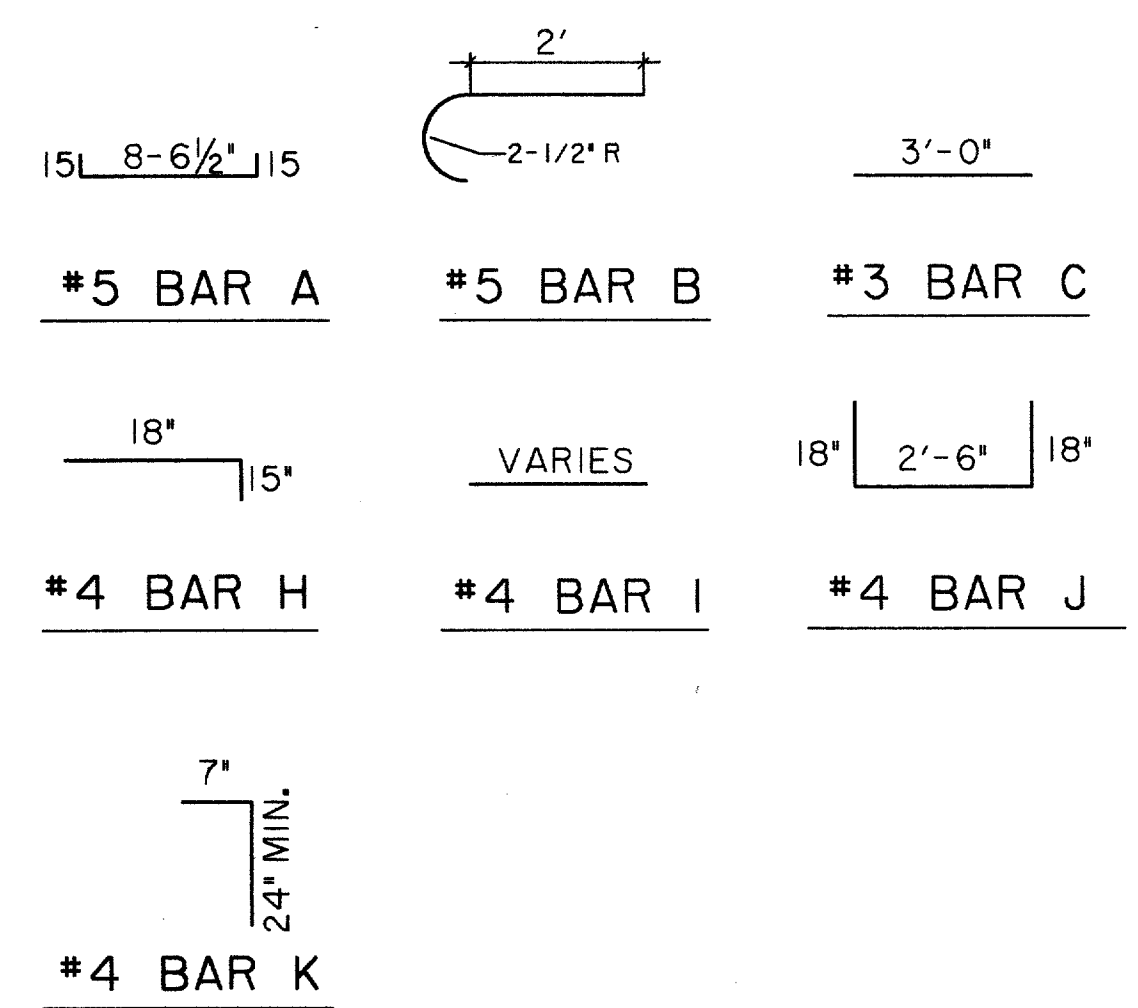


SECTION A-A



SECTION C-C

BAR DIAGRAMS



NOTES:

1. ALL LAPS AND EXTENSIONS OF REINFORCING BARS SHALL BE 30 BAR DIAMETERS UNLESS NOTED OTHERWISE.
2. TACK WELD GRATES IN PLACE OR USE GRATE LOCK.
3. GRATE & FRAME SHALL BE PATTERN NO. 814 AS MANUFACTURED BY BASS & HAYES FOUNDRY, INC. OR APPROVED EQUAL.
4. PIPE MAY BE PLACED IN ANY WALL, BUT SHALL NOT ENTER ANY CORNER, OR BOTTOM.
5. CONCRETE TO BE MINIMUM OF 4200 PSI.

RECORD DRAWING 5/1/98

ISSUED FOR CONSTRUCTION
MARCH 28, 1996

THE SEAL APPEARING ON THIS DOCUMENT WAS AUTHORIZED BY
KENNETH A. ROBERTS, P.E. 55446
ON MARCH 28, 1996.

Kenneth A. Roberts
3-28-96

| STORM WATER DETAILS | | | | | | |
|--|-------|-------|--------|--------|-------------|-----|
| ADDISON CIRCLE | | | | | | |
| PHASE I PUBLIC INFRASTRUCTURE | | | | | | |
| TOWN OF ADDISON, TEXAS | | | | | | |
| Huitt-Zollars, Inc./Engineering/Architecture Dallas, Fort Worth, Houston, El Paso, Phoenix, Tustin, Ontario, San Clemente | | | | | | |
| DESIGN | DRAWN | APPR. | SCALE | DATE | PROJECT NO. | NO. |
| HZI | HZI | KAR | N.T.S. | JAN 96 | 1822-04 | 81 |
| | | | | | | 137 |