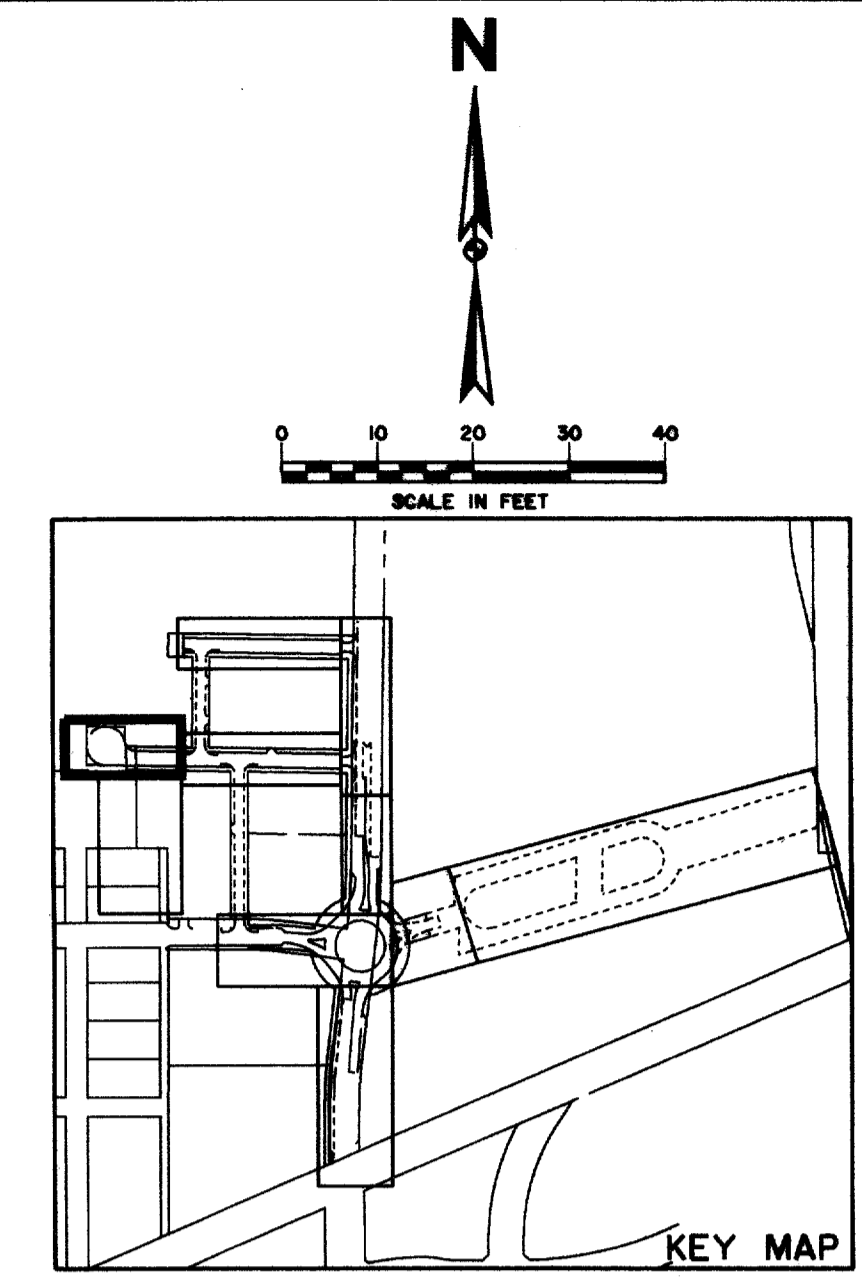


MATCH LINE STA. 10+00

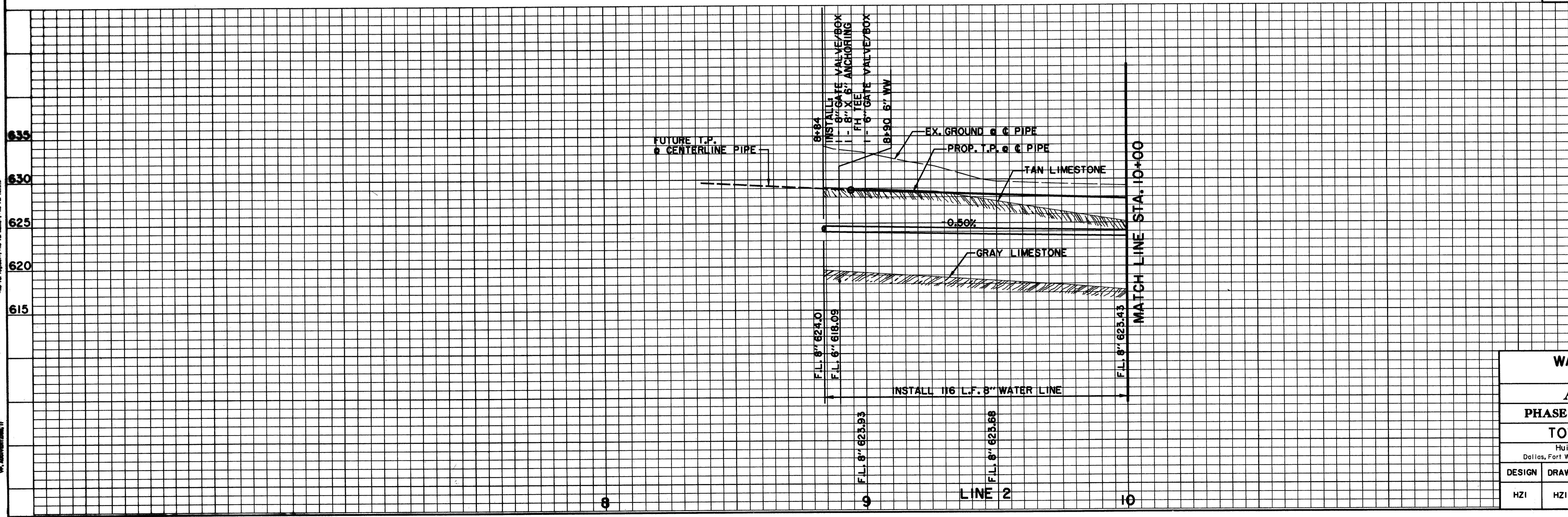


LEGEND

ELECTRIC	— OHE —	MISC.
○	LIGHT POLE	48" RCP
pp	POWER POLE	EX. STORM SEWER
—	GUY WIRE	—
TELEPHONE	— T —	—
TELE	TELEPHONE MANHOLE	—
MH	TELEPHONE PEDESTAL	—
TS	TELEPHONE SIGN	—
GAS	— G —	—
GM	GAS METER	—
GS	GAS SIGN	—
LAND USE		
R/R	RAILROAD SIGN	—
SIGN	SIGN	—
SURVEY		
I.R.	FOUND IRON ROD	—
TEMP	TEMP BENCHMARK	—
WASTEWATER	— WW —	
WW	WASTEWATER MANHOLE	
CO	CLEANOUT	
WATER	— W —	
FH	FIRE HYDRANT	
WM	METER	
T	WATER VALVE	
		EX. STORM SEWER
		CHAIN LINK FENCE
		WOOD FENCE
		EXISTING ASPHALT
		EXISTING DIRT OR GRAVEL
		EX. CONCRETE
		TREE/TREE LINE
		EXISTING CURB
		PROP. CURB
		PROP. EDGE OF PAVEMENT NO CURB
		EX. PROPERTY LINE
		PROP. CENTERLINE
		PROP. R.O.W.
		PROP. INLET
		T.P.
		TOP OF PAVEMENT
		T.C.
		TOP OF CURB
		C.R.
		CURB RETURN
		EX. G
		EXISTING GUTTER
		B-20
		BORING LOCATION

NOTE:
PUBLIC CONTRACT PAY LINE FOR WATER SERVICE
INSTALLATION IS TO THE MAIN LINE SIDE OF METER
CANS OR VAULTS. COORDINATE WITH PRIVATE
CONTRACTOR TO SET METER CANS AND VAULTS
PER TOWN OF ADDISON GENERAL REQUIREMENTS
PRIOR TO CONSTRUCTION OF SIDEWALKS.

RECORD DRAWING 5/1/98



BENCHMARKS:

BM#2
"I" CUT AT CENTER BACK OF CURB OF INLET, 200 FEET NORTH FROM THE CENTERLINE INTERSECTION OF ADDISON CIRCLE, WEST SIDE OF QUORUM DRIVE.
ELEV. 621.68

635

BM#3
"I" CUT AT CENTER BACK OF CURB OF INLET, 620 FEET NORTH FROM THE CENTERLINE INTERSECTION OF ADDISON CIRCLE, WEST SIDE OF QUORUM DRIVE.
ELEV. 624.50

630

625

ISSUED FOR CONSTRUCTION
MARCH 28, 1996

620

THE SEAL APPEARING ON THIS DOCUMENT WAS AUTHORIZED BY
KENNETH A. ROBERTS, P.E. 55446
ON MARCH 28, 1996.

615

Kenneth A. Roberts
3-28-96

WATER PLAN & PROFILE						
LINE 2						
ADDISON CIRCLE						
PHASE I PUBLIC INFRASTRUCTURE						
TOWN OF ADDISON, TEXAS						
<small>Hutt-Zollars, Inc./Engineering/Architecture Dallas, Fort Worth, Houston, El Paso, Phoenix, Tustin, Ontario, San Clemente</small>						
DESIGN	DRAWN	APPR.	SCALE	DATE	PROJECT NO.	NO.
HZI	HZI	KAR	H ₁ 1"=20' V ₁ 1"=6'	JAN 96	1822-04	85 137