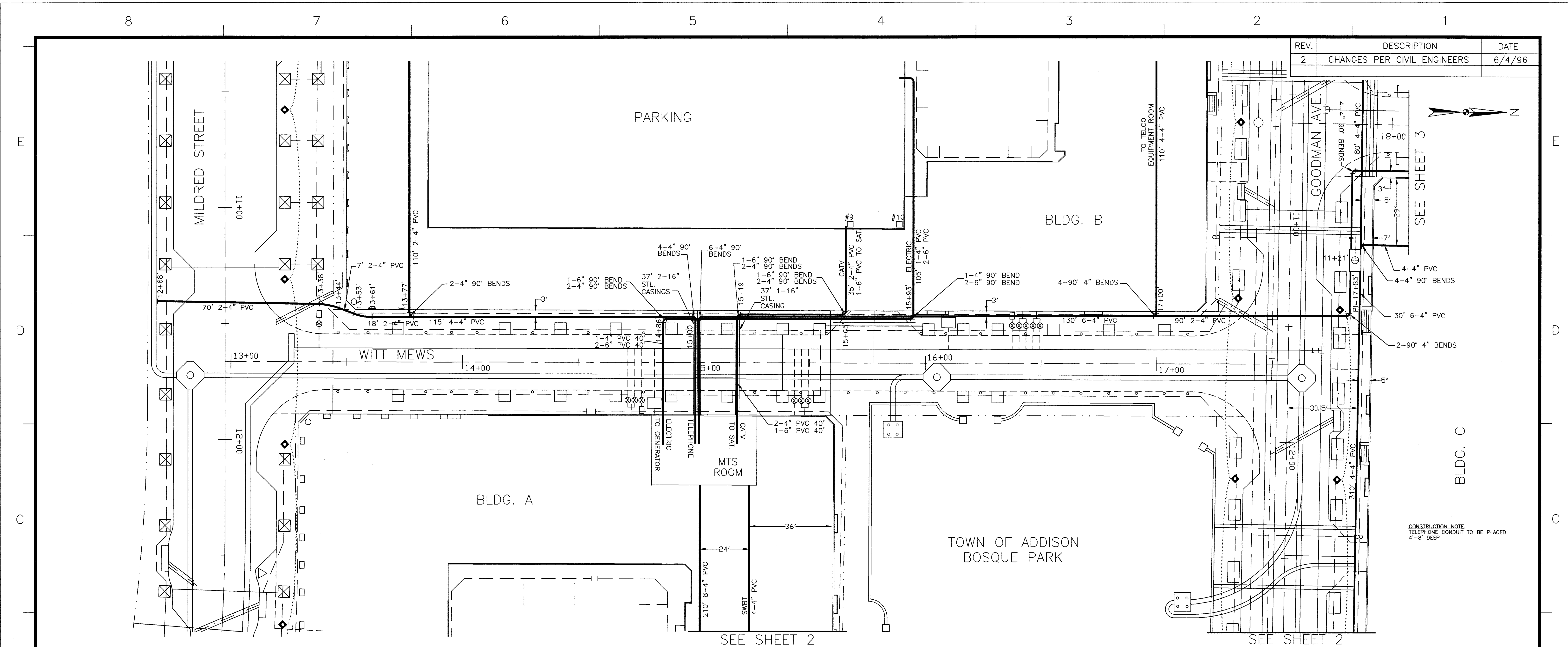
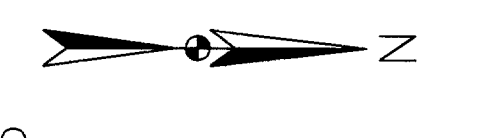


ADDISON  
CIRCLE  
PHASE 1  
CONDUIT DRAWING  
B27-6



REV.	DESCRIPTION	DATE
2	CHANGES PER CIVIL ENGINEERS	6/4/96

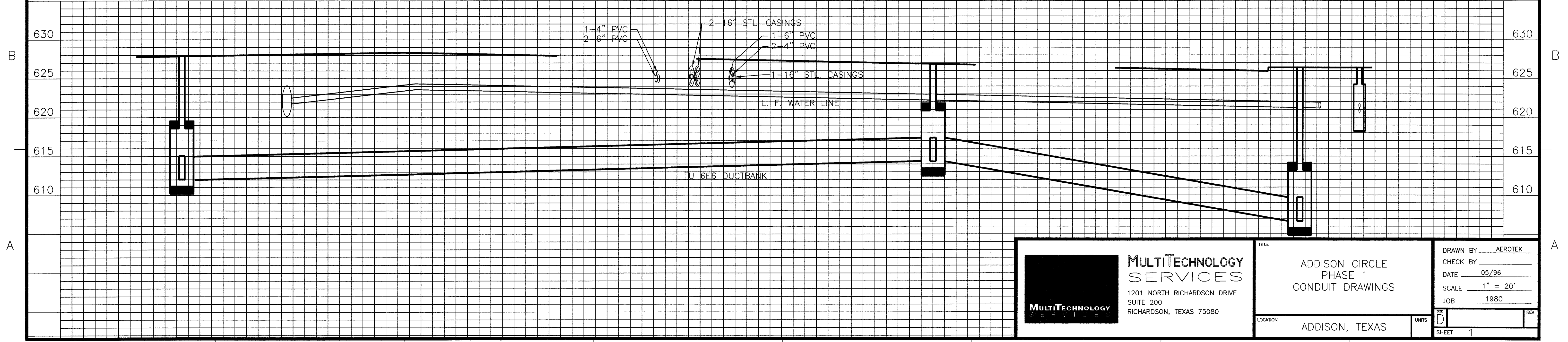


SEE SHEET 3

CONSTRUCTION NOTE  
TELEPHONE CONDUIT TO BE PLACED  
4'-8" DEEP

SEE SHEET 2

SEE SHEET 2



**MULTITECHNOLOGY SERVICES**  
1201 NORTH RICHARDSON DRIVE  
SUITE 200  
RICHARDSON, TEXAS 75080

TITLE  
ADDISON CIRCLE  
PHASE 1  
CONDUIT DRAWINGS

LOCATION  
ADDISON, TEXAS

DRAWN BY: AEROTEK  
CHECK BY: \_\_\_\_\_  
DATE: 05/96  
SCALE: 1" = 20'  
JOB: 1980

UNITS: D  
SHEET: 1