

ENGINEERING PLANS
FOR CONSTRUCTION OF

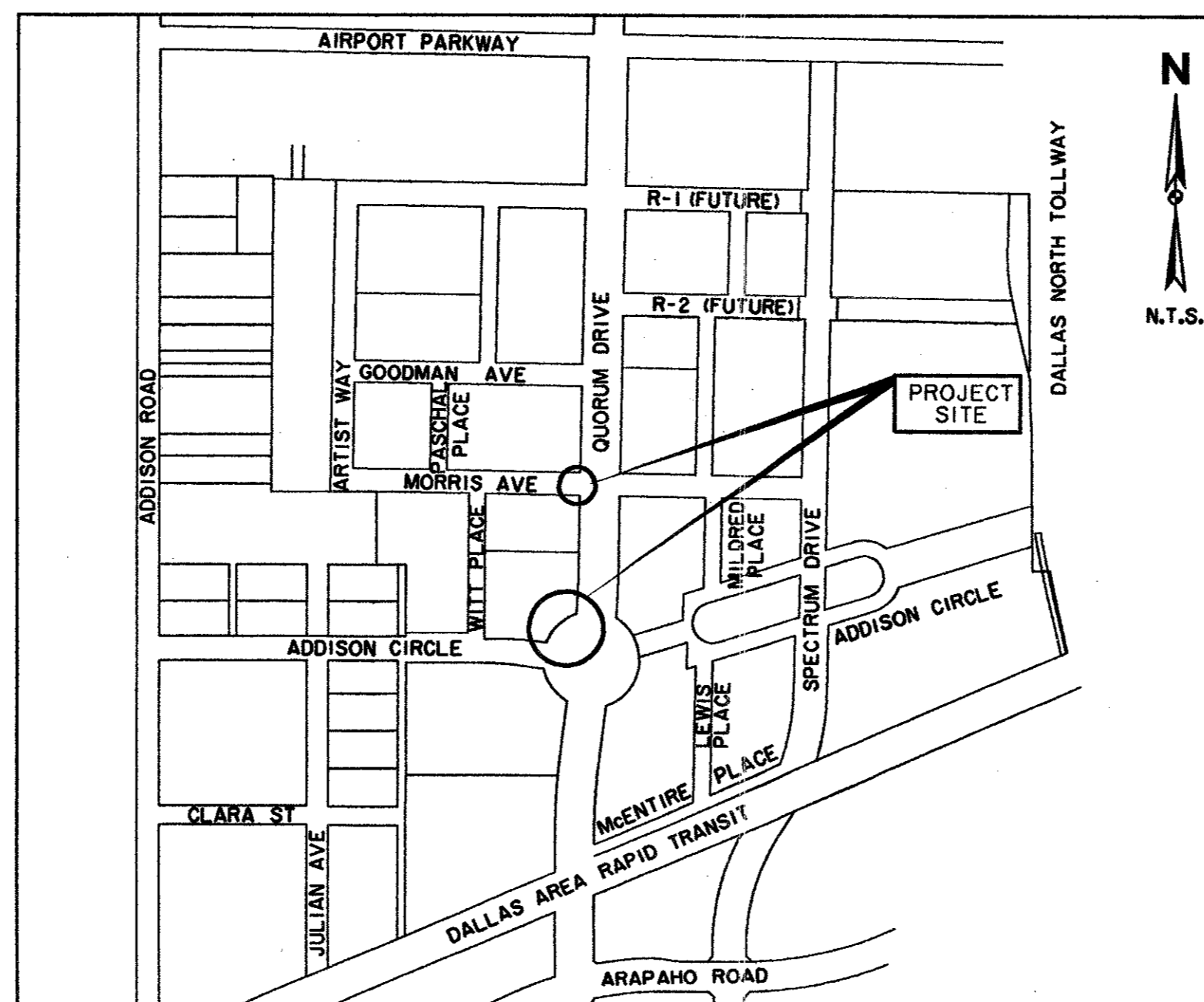
**RAMP MODIFICATIONS
ADDISON CIRCLE PHASE I
TOWN OF ADDISON**

B3-7

ADDISON CIRCLE RAMP (ADA) 12/03

B3-7

SHEET NO.	INDEX OF DRAWINGS
1	COVER SHEET
2	EXISTING RAMP CONDITIONS
3	RAMP MODIFICATIONS
4	DETAILS



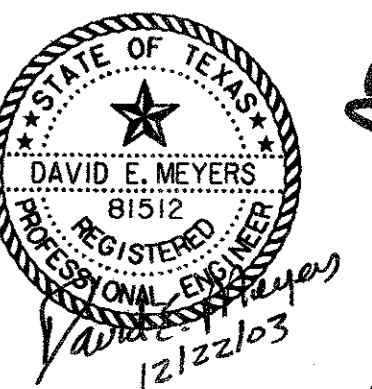
LOCATION MAP

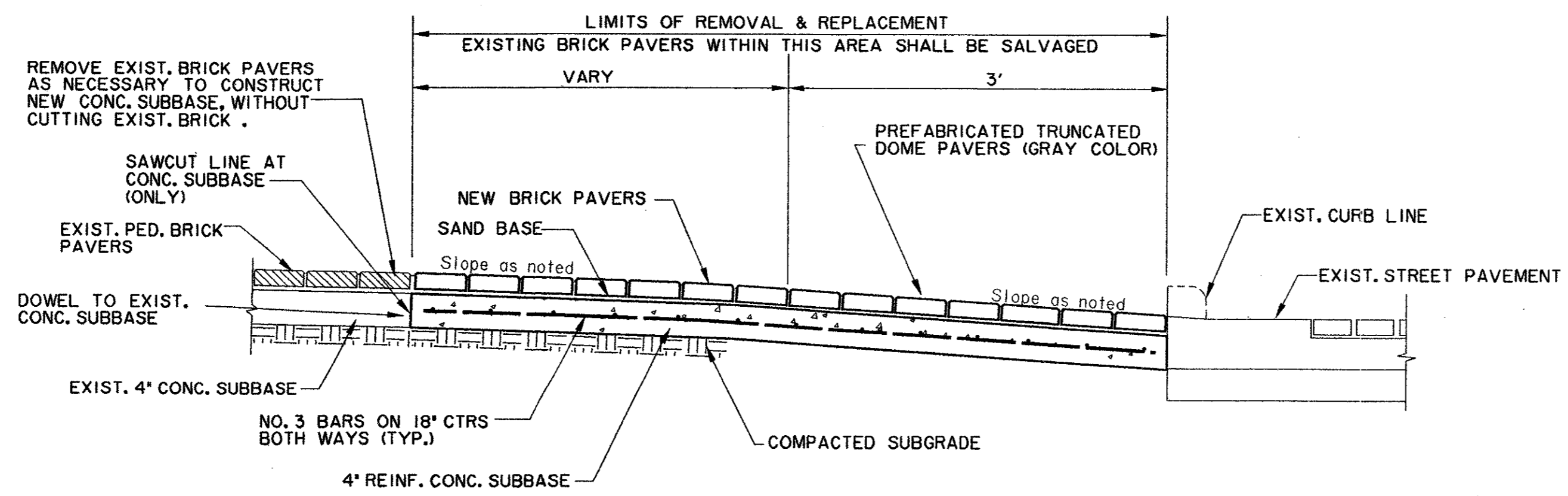
OWNER:

TOWN OF ADDISON
DEPARTMENT OF PUBLIC WORKS
16801 WESTGROVE
P.O. BOX 9010
ADDISON, TEXAS 75001
(972) 450-2871 FAX (972) 450-2837

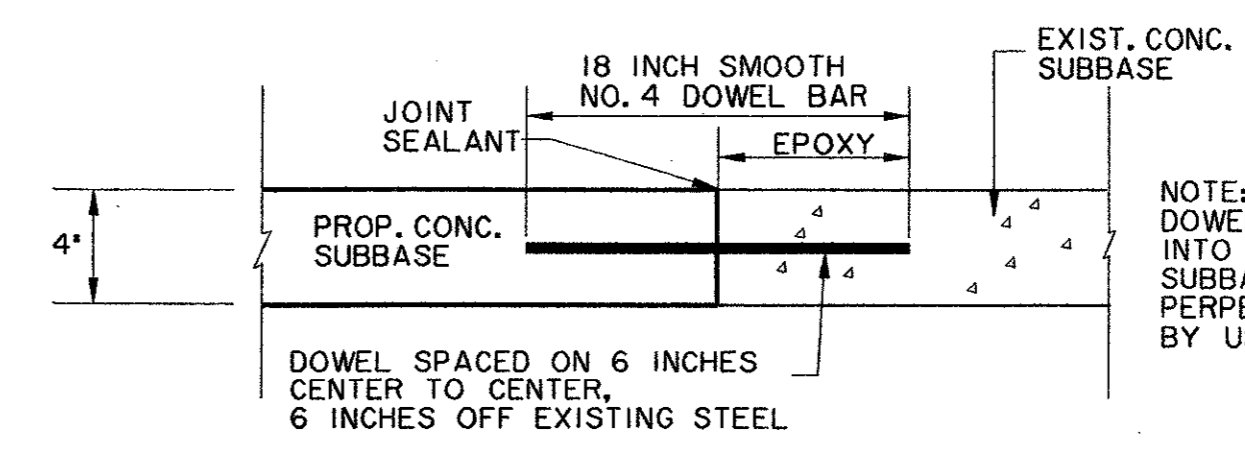
ENGINEER:

HUITT-ZOLLARS, INC.
3131 MCKINNEY AVE., SUITE 600
DALLAS, TEXAS 75204
(214) 871-3311 FAX (214) 871-0757
DAVID E. MEYERS, P.E.
TX. REG. NO. 81512



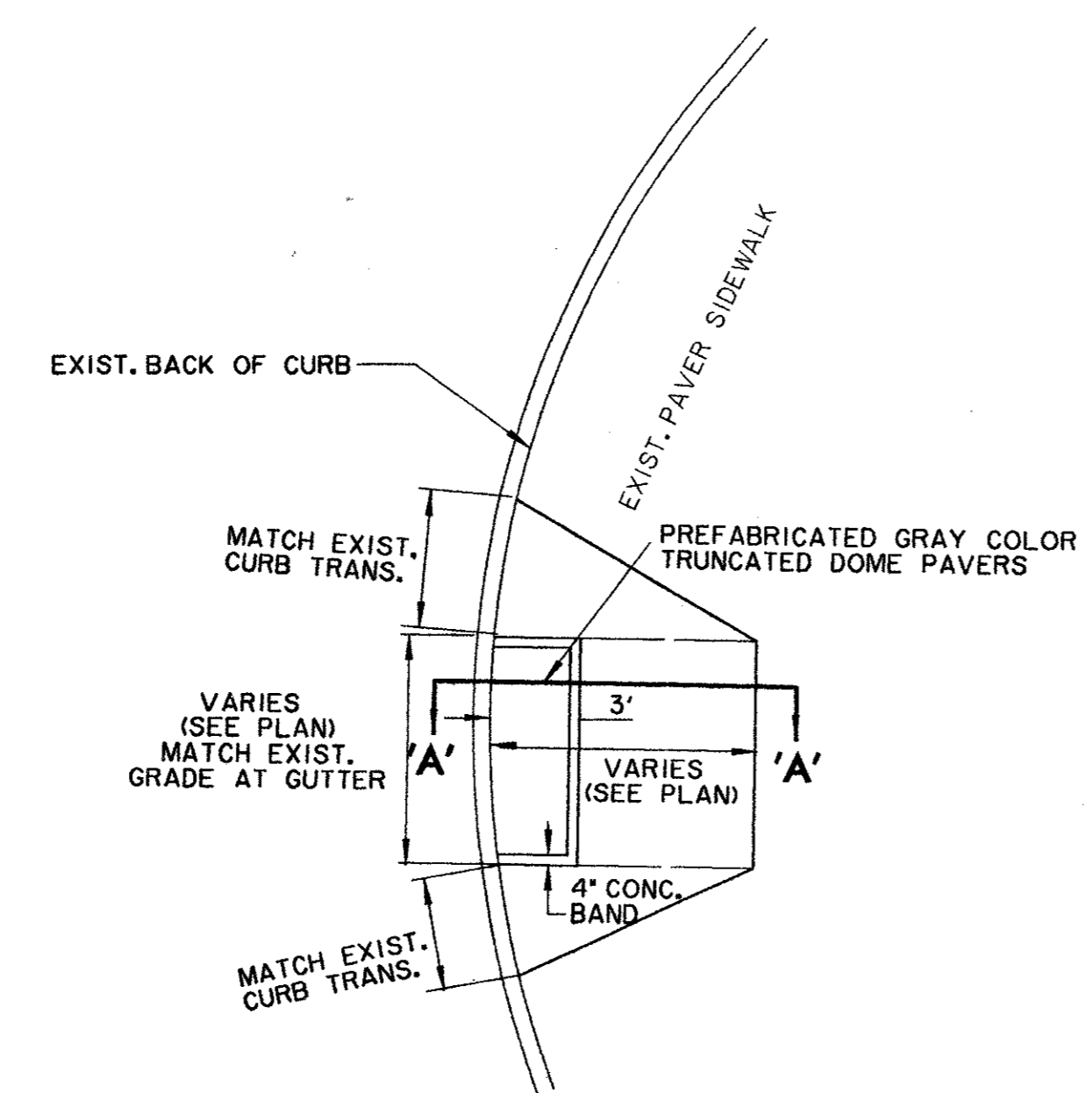


SECTION 'A' - 'A'
TYPICAL REMOVAL & REPLACEMENT
OF RAMP SECTION
 NOT TO SCALE



DOWEL DETAIL
 NOT TO SCALE

NOTE:
 DOWEL BARS TO BE DRILLED
 INTO EXISTING CONCRETE
 SUBBASE HORIZONTALLY AND
 PERPENDICULAR TO SAWCUT
 BY USE OF A MECHANICAL RIG.



BARRIER FREE RAMP DETAIL
 NOT TO SCALE

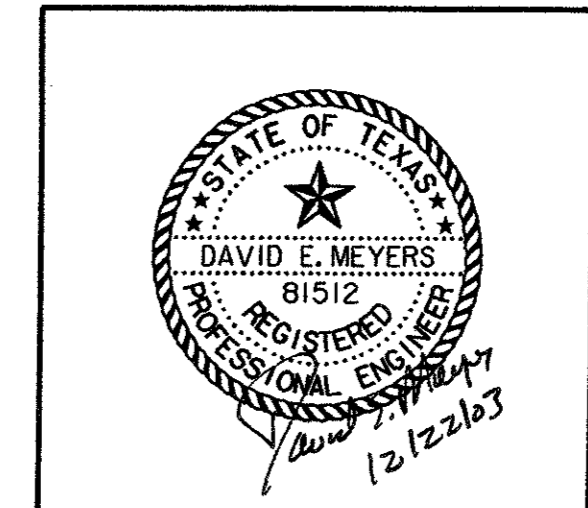
- BARRIER FREE RAMP**
GENERAL NOTES:
1. MAXIMUM SLOPE ON BARRIER FREE RAMPS MUST NOT EXCEED ONE INCH PER FOOT AT ANY LOCATION.
 2. CONCRETE TO HAVE MIN. 3000 PSI COMPRESSIVE STRENGTH AT 28 DAYS.
 3. REINFORCEMENT TO BE #3 DEFORMED BARS AT 18" O.C. AND SUPPORTED BY APPROVED BAR CHAIRS ON 3'-0" CENTERS.

I:\proj\01336302\dwg\336302T01.DGN
 Thu Jan 8 10:46:31 2003
 P:\DWGFILES\2003\12\122163.dwg
 gms

P:\DWGFILES\2003\12\122163.dwg
 P:\DWGFILES\2003\12\122163.dwg
 gms

no of layout, no of sheet, no of levels
 no of layout, no of sheet, no of levels
 no of layout, no of sheet, no of levels
 no of layout, no of sheet, no of levels
 no of layout, no of sheet, no of levels

P:\DWGFILES\2003\12\122163.dwg
 P:\DWGFILES\2003\12\122163.dwg
 gms



DATE	DESCRIPTION	REF NO.

DETAILS

MORRIS AVE. at QUORUM DR. / ADDISON CIRCLE
ADDISON CIRCLE PHASE I
 TOWN OF ADDISON, TEXAS

Huitt - Zottlers, Inc.
 3131 McKinney Ave., Suite 600, Dallas, TX 75204
 Phone (214) 871-3311/Fax (214) 871-0757

DESIGN	DRAWN	APPR.	SCALE	DATE	PROJECT NO.	NO.
HZI	HZI		NO SCALE	DEC. 4 2003	01-3363-01	4