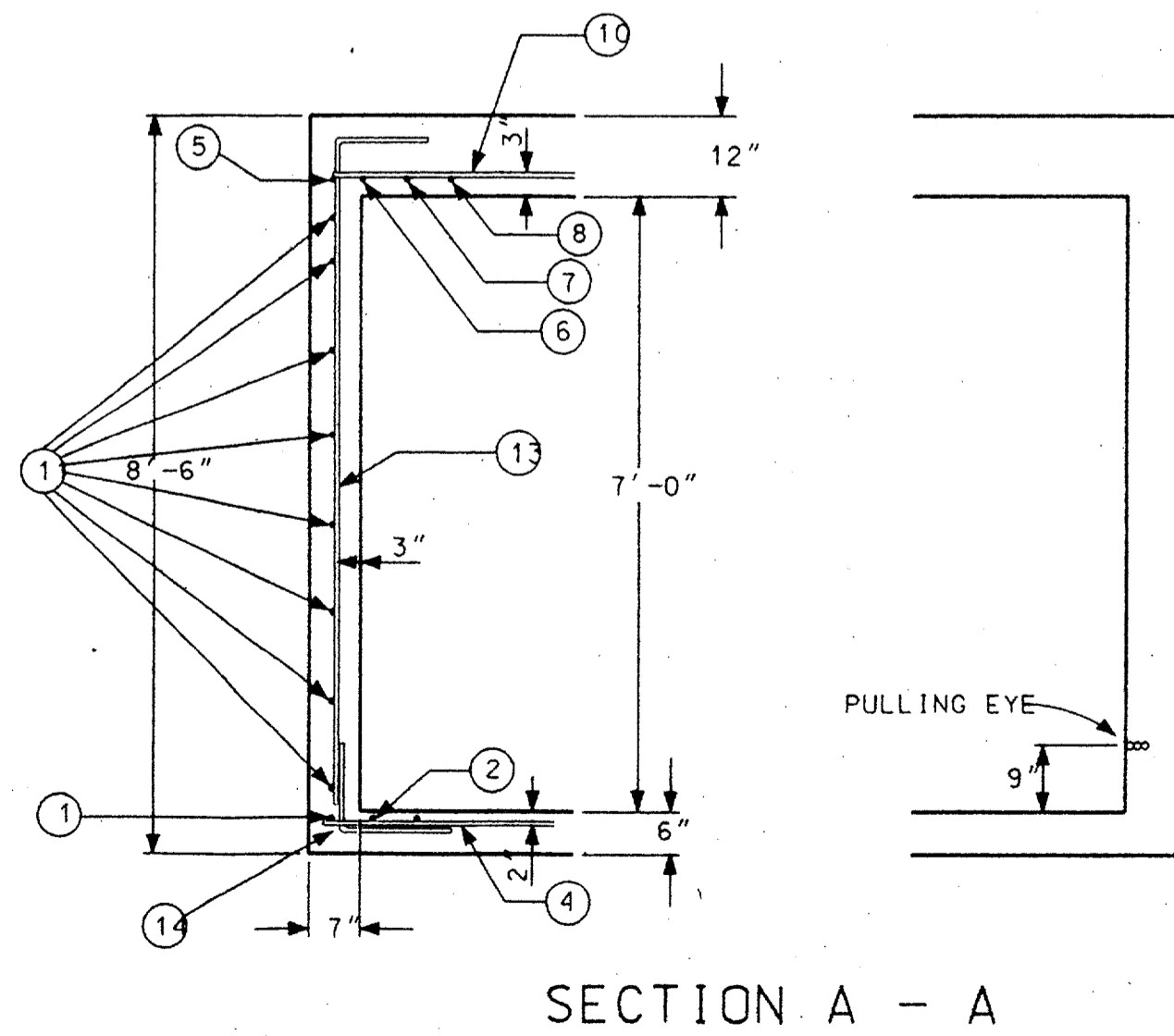
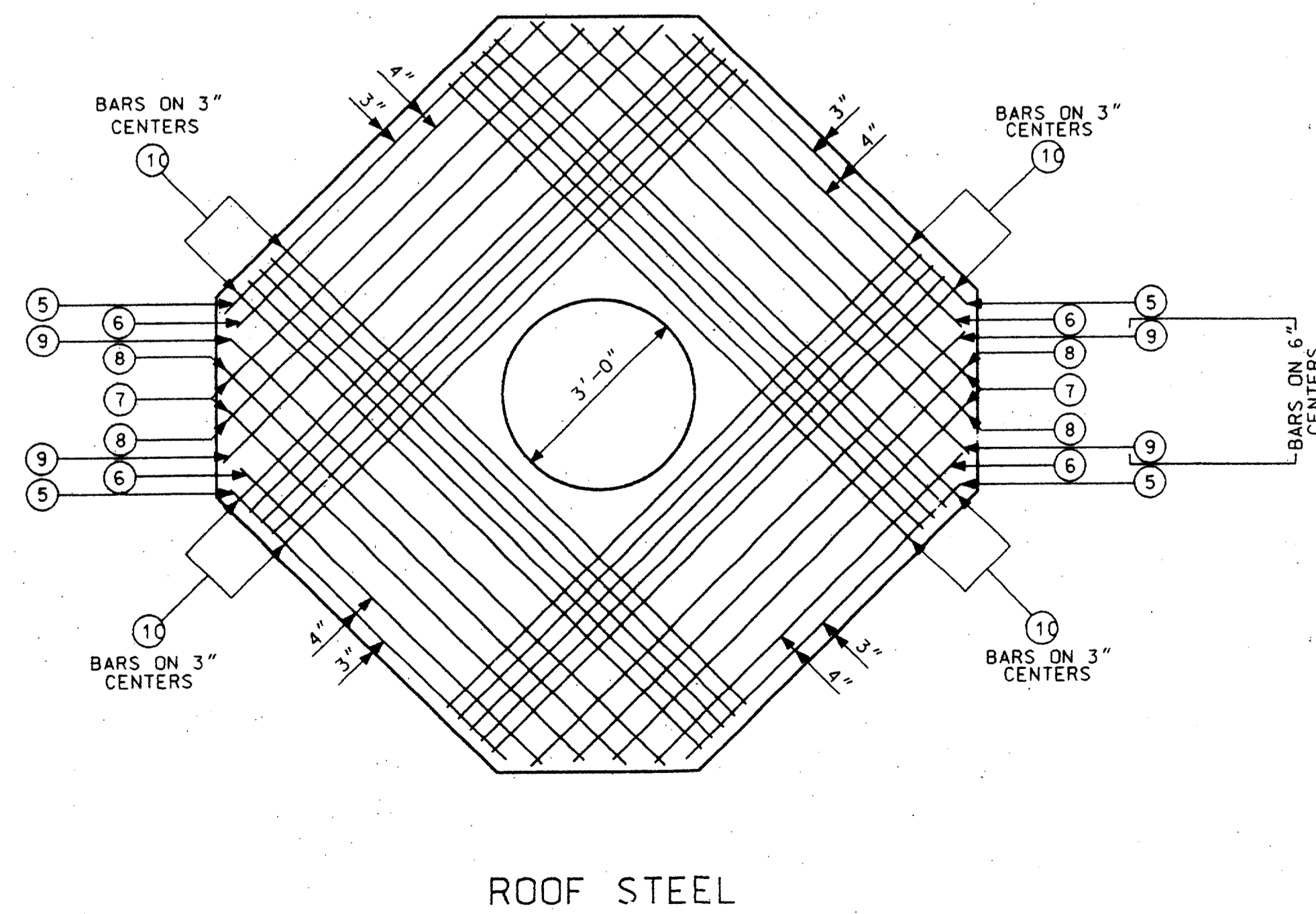
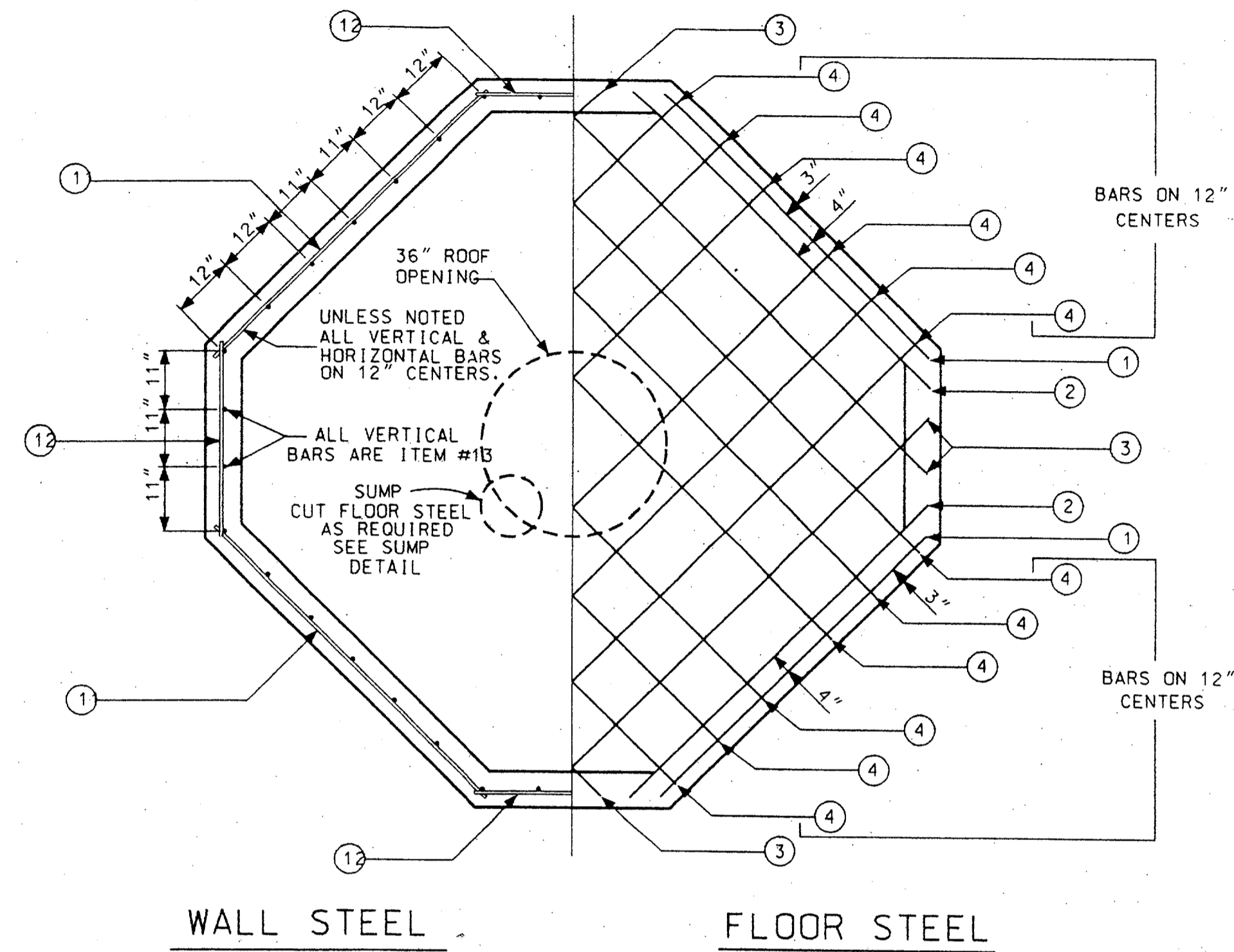
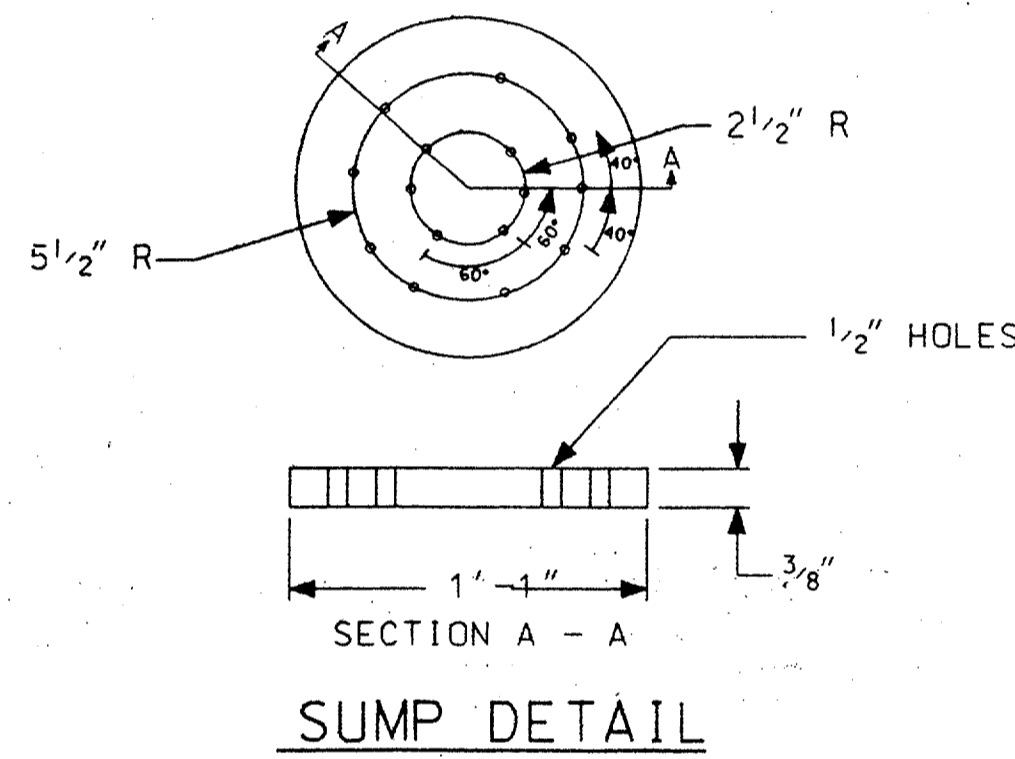
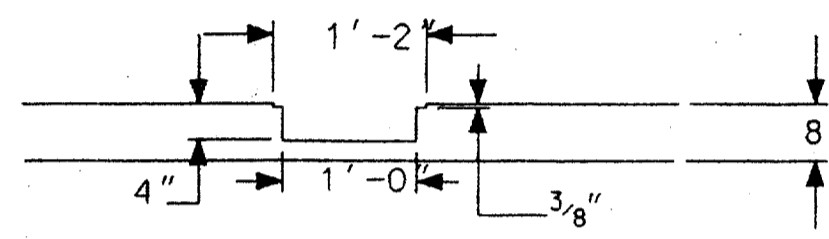
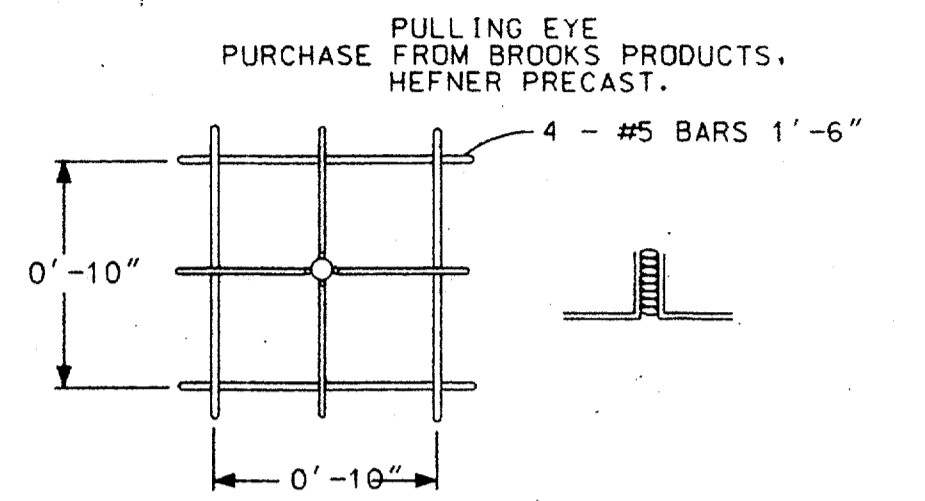
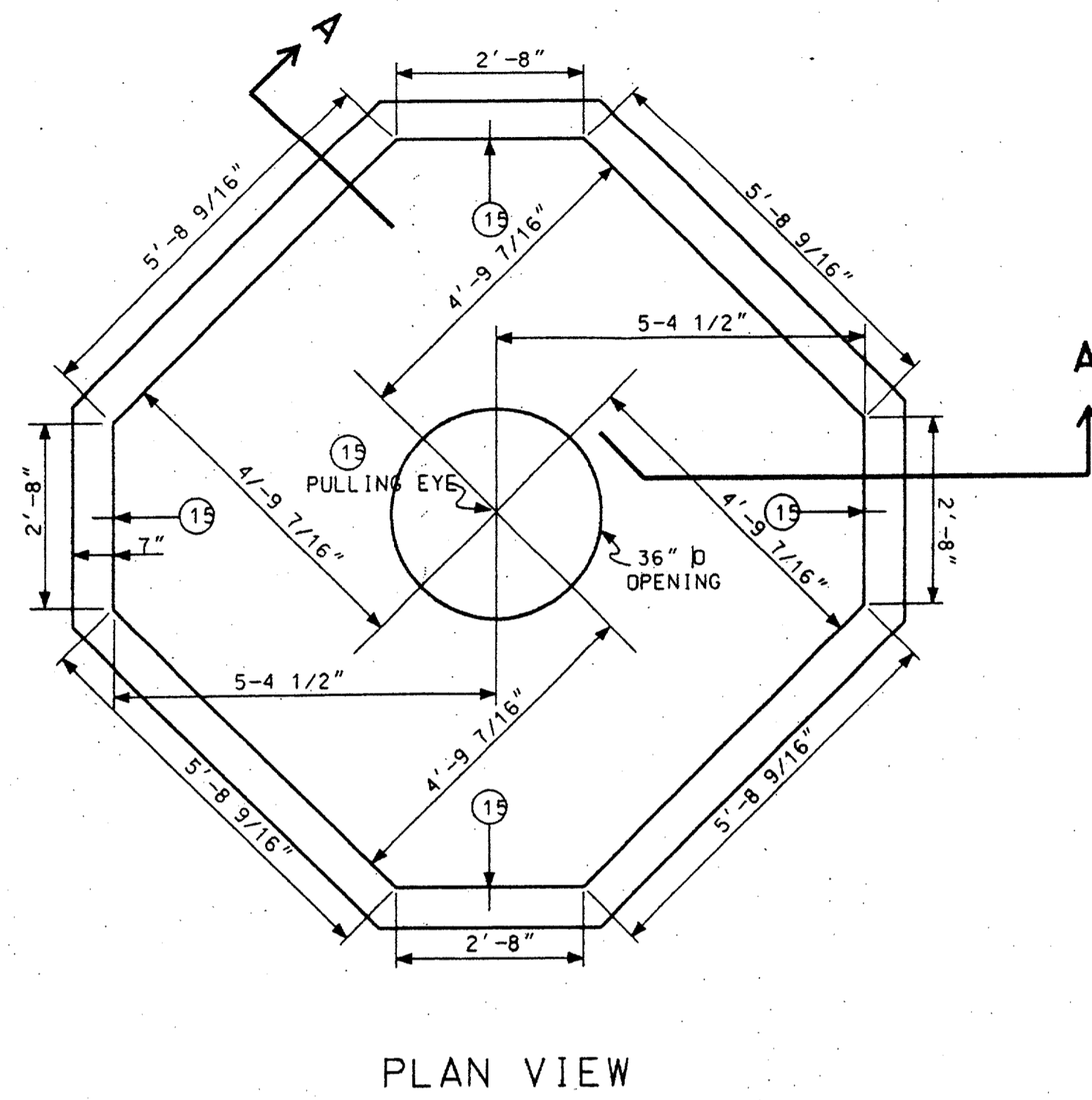


DETAIL # 5



MATERIALS FOR POURED IN PLACE MANHOLE								
MARK	LENGTHS		QUANTITY				SHAPE	SIZE
	FT.	IN.	FLOOR	WALLS	ROOF	TOTAL		
1	6	1	4			24'-4"	ST.	#5
2	6	10	4			27'-4"	ST.	#5
3	8	10	4			35'-4"	ST.	#5
4	10	3	14			143'-6"	ST.	#5
5	6	1			4	24'-4"	ST.	#5
6	6	10			4	27'-4"	ST.	#5
7	7	10			4	31'-4"	ST.	#5
8	8	10			4	35'-4"	ST.	#5
9	9	10			4	39'-4"	ST.	#5
10	10	3			20	205'-0"	ST.	#5
11	6	3		32		200'-0"	ST.	#5
12	3	2		32		101'-4"	ST.	#5
13	8	9		36		315'-0"	7'-3" R	#5
14	3	4	36			120'-0"	2' 1'-4"	#5
15			1	4		5'-0"	PULLING EYE	1 1/2" X 6" BOLT
CONCRETE			1.94 CU. YDS.	35 CU. YDS.	3.85 CU. YDS.	11.14 CU. YDS.	3000 PSI	
MANHOLE COVER & FRAME TU STD 310-050 1 EA.								3'-0" OPENING
VENDOR: WESTERN IRON WORKS, 21 EAST SIXTH ST. SAN ANGELO TX. 76903								
OR: HEFNER PRECAST, DIVISION OF BROOKS PRODUCTS, 2229 NORTH MAIN, CLEBURNE TX. 76031								
STEEL TO CONFORM TO THE LATEST STANDARD SPECIFICATION FOR DEFORMED BILLET-STEEL BARS FOR CONCRETE REINFORCEMENT.								
SEE DETAIL # 9 FOR CONCRETE SPECIFICATION								
GENERAL NOTES SIMILAR TO TYPE "D" MANHOLE, SHEET #2.								

"TYPE - 4-WAY"
10'-9" X 10'-9" X 7'-0"

RECORD
DRAWING

10/3/97 ISSUED FOR CONSTRUCTION

E14

W.A.	ESTIMATE	DWG TYPE	UNIT ID	DATE	NO.	W.A.	NO.	W.A.	NO.	DATE	REVISION DESCRIPTION	DRAWN CH.	APP.

LIST OF DRAWINGS
SCALE (H=) 1 (V=1/2"=1'-0")
NETWORK UNDERGROUND APPEARANCE SHEETS MANHOLE DETAILS
APP. JES
APP. PPN
ENG. JRC
CH. JRC
DWN. MED
DATE 05-12-92