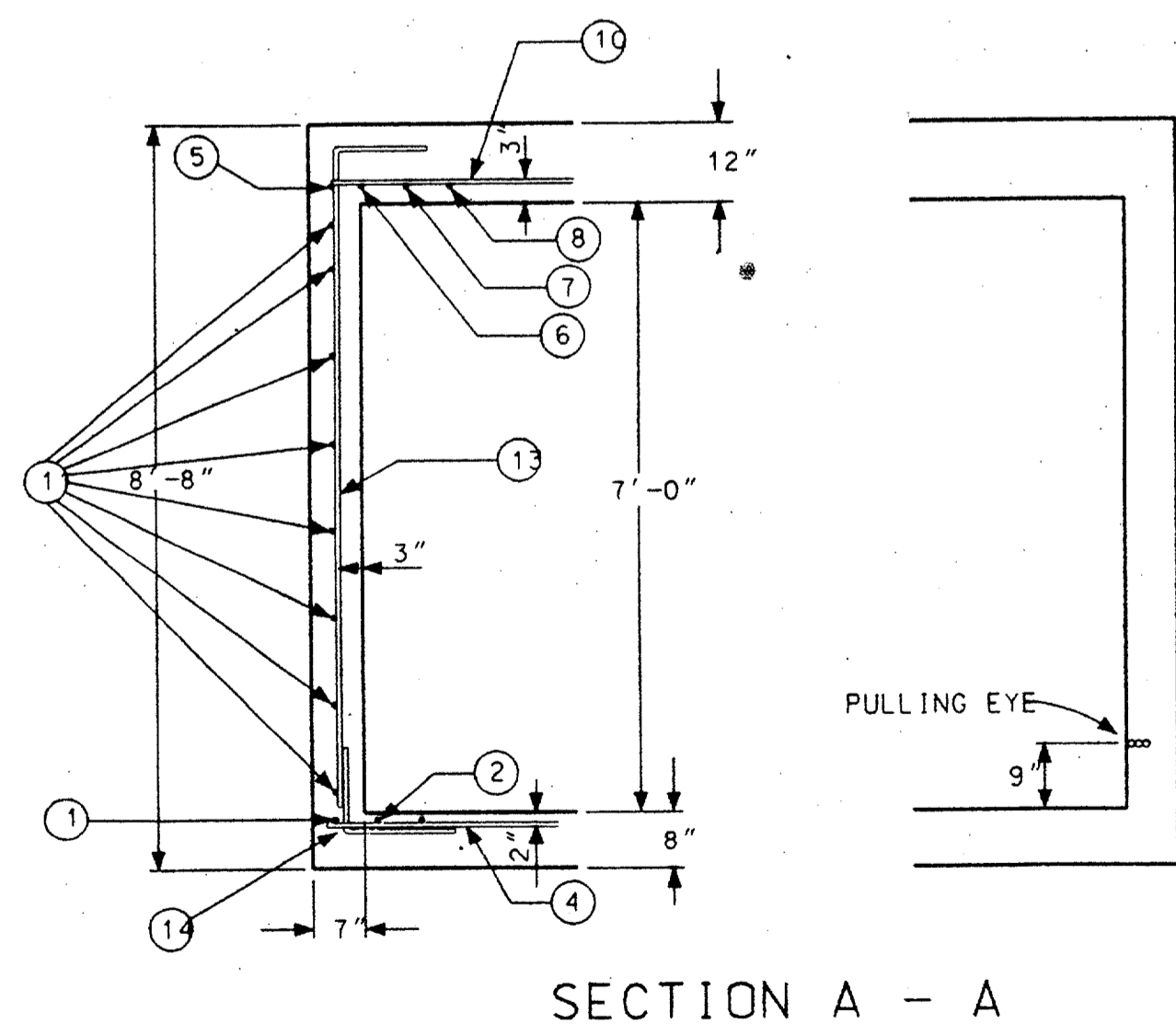
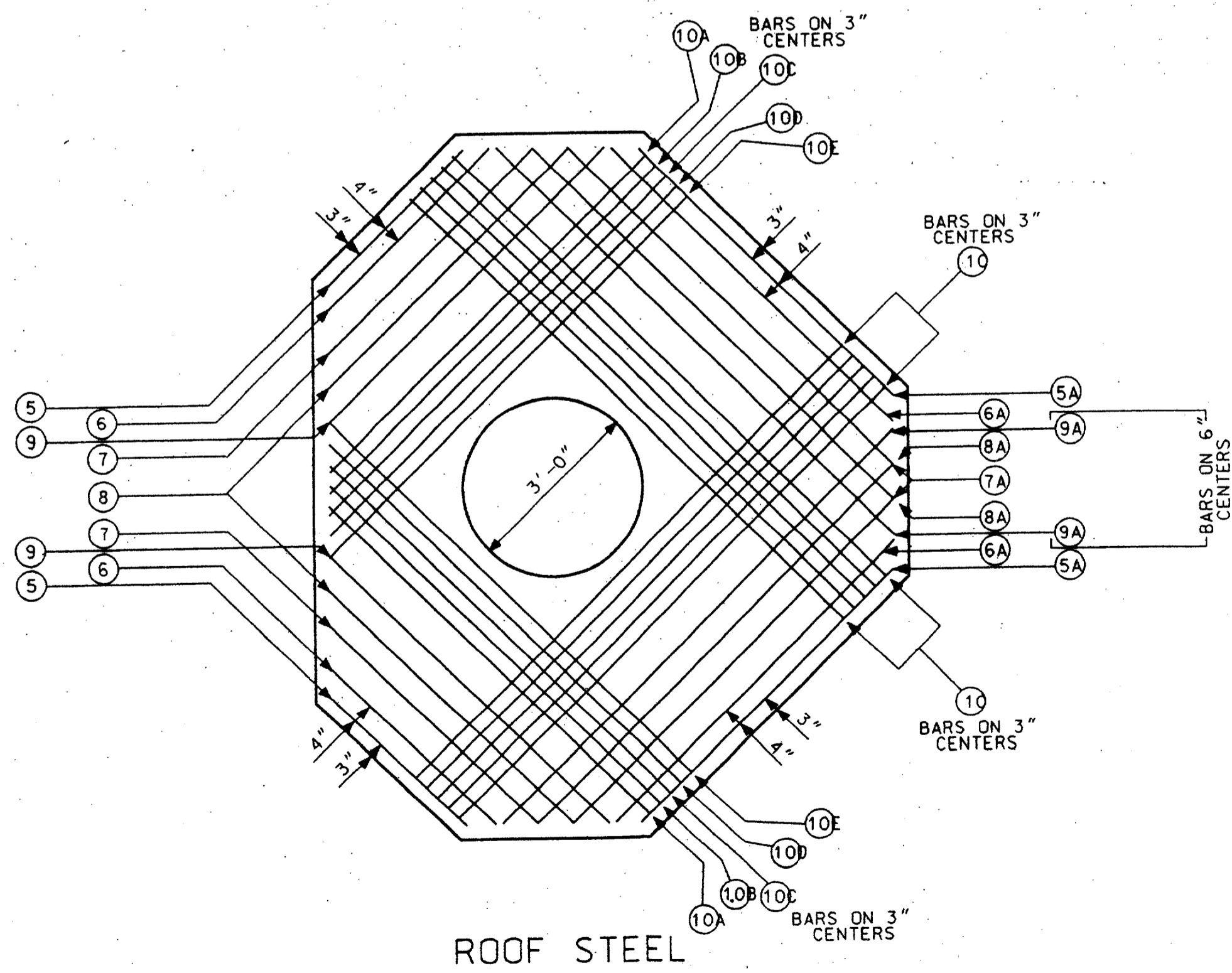
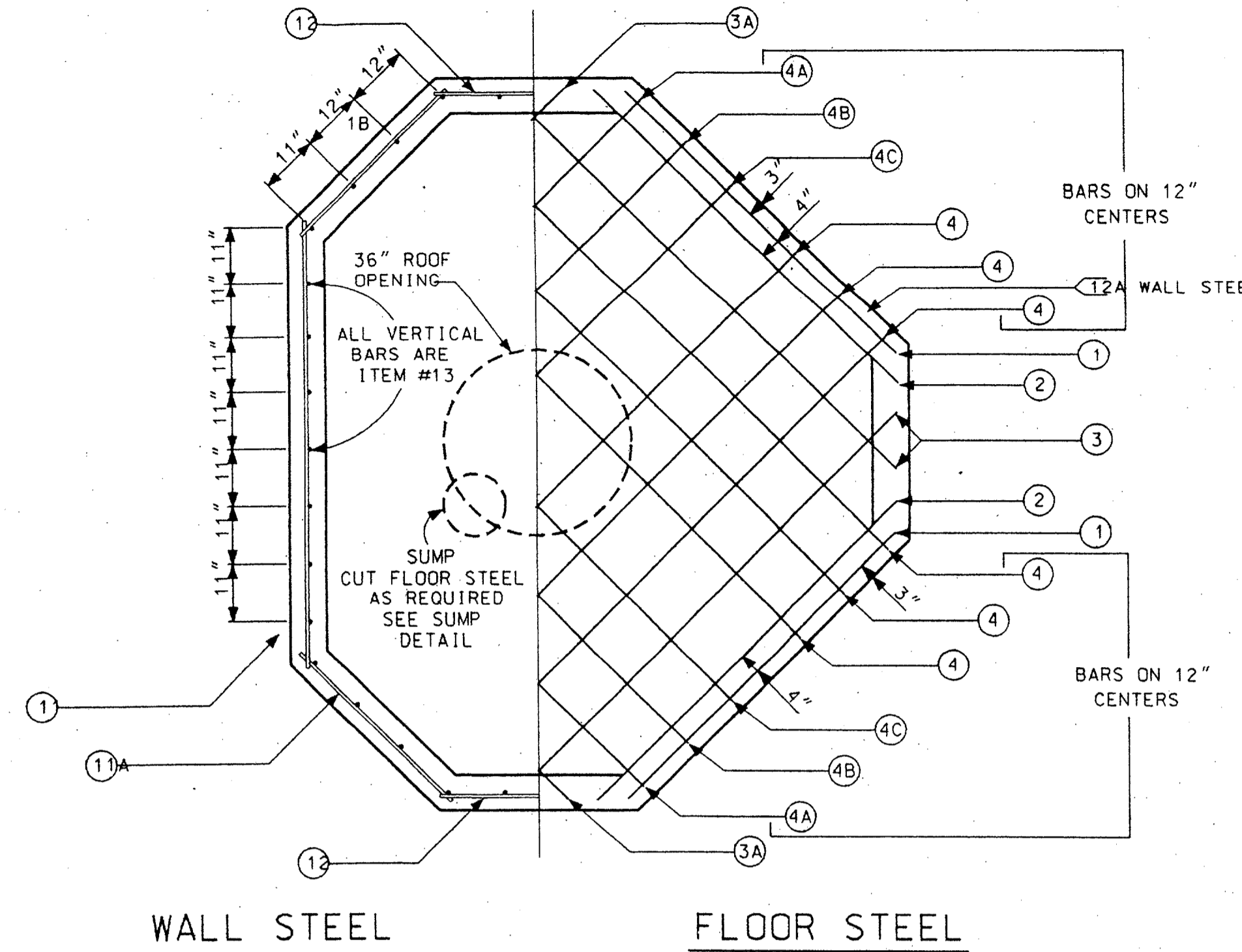
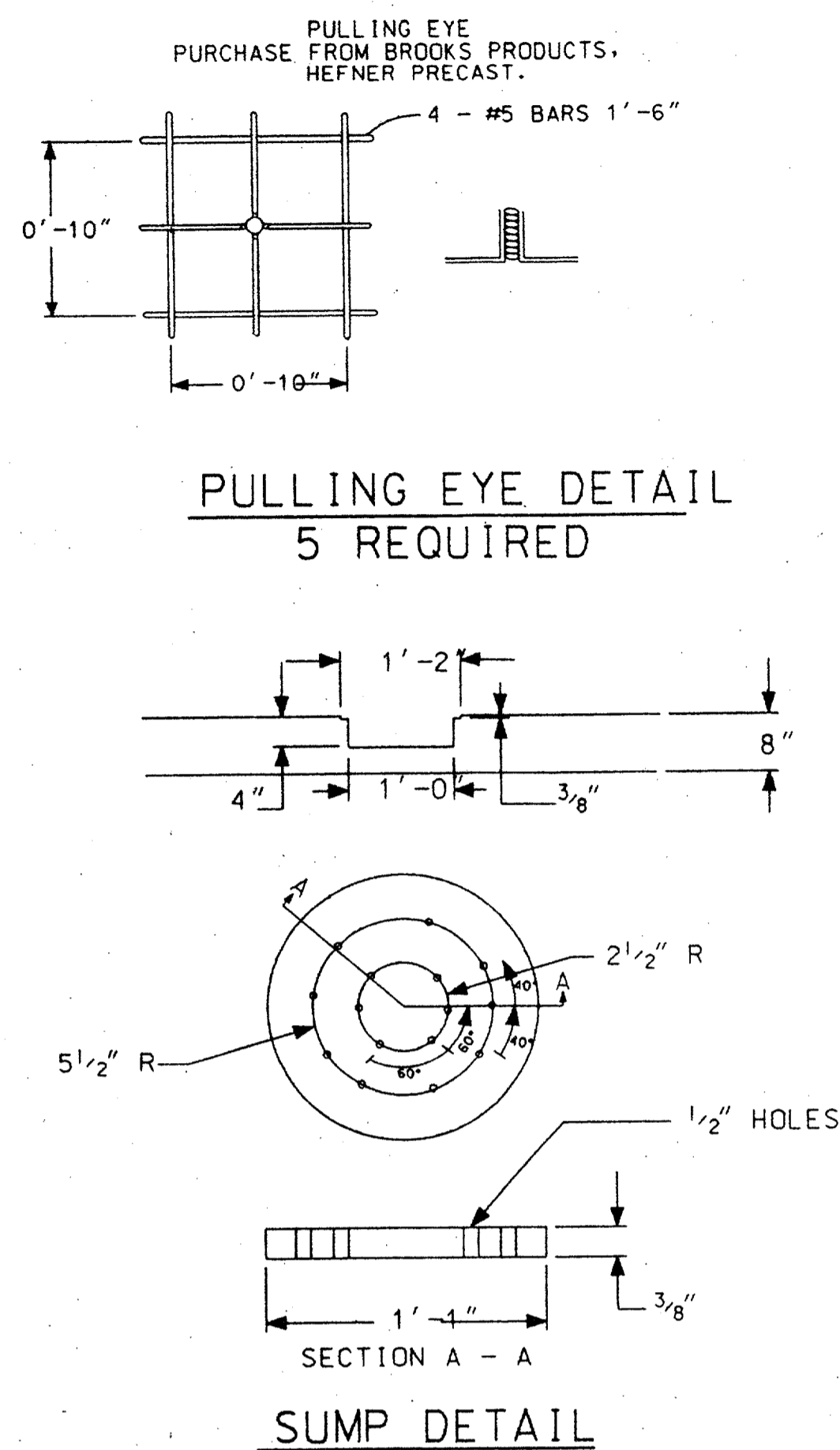
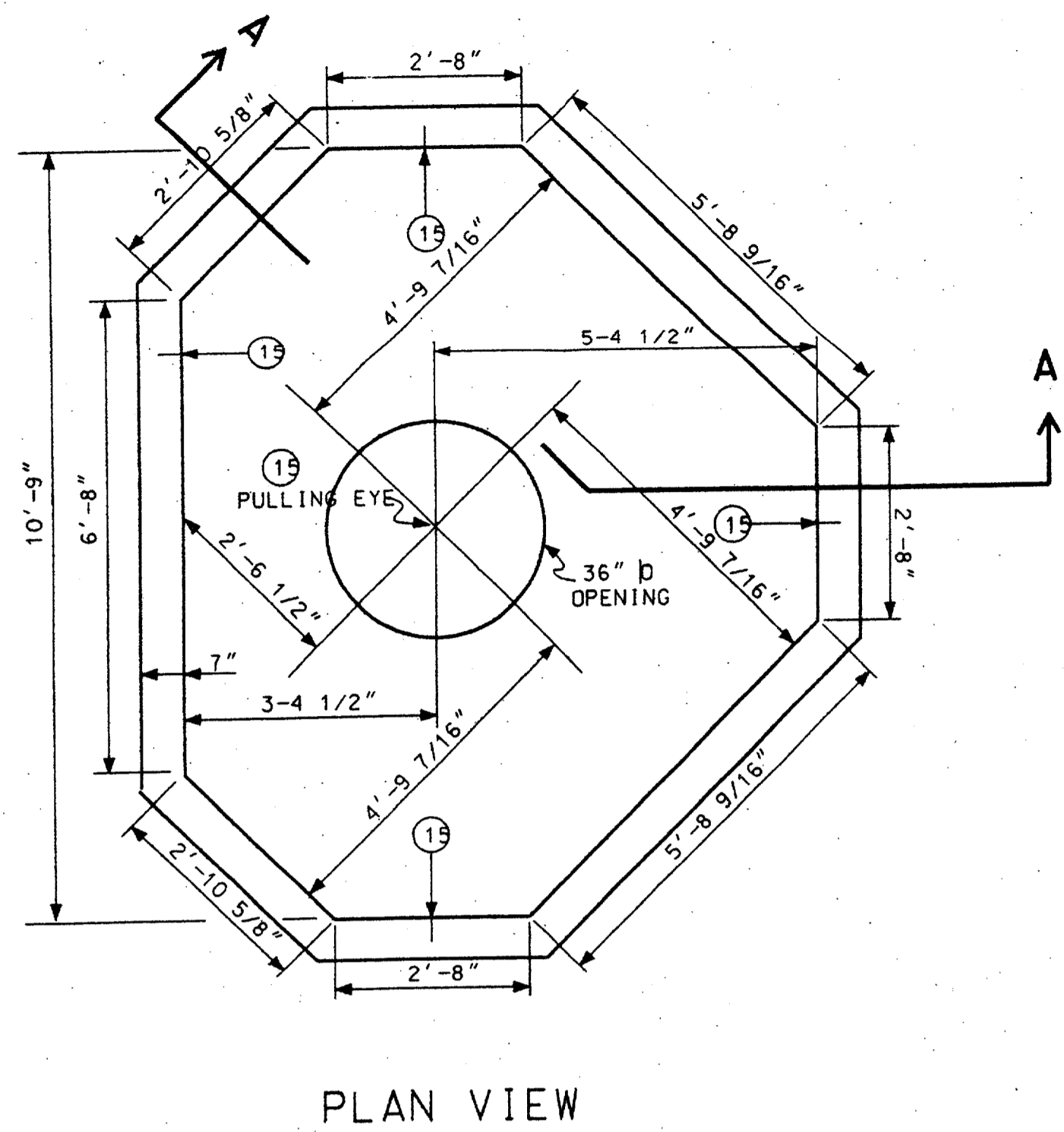


DETAIL # 6



MATERIALS FOR POURED IN PLACE MANHOLE

MARK	LENGTHS		QUANTITY			SHAPE	SIZE
	FT.	IN.	FLOOR	WALLS	ROOF		
1	6	1	2			12'-2"	ST. #5
1A	3	1	2			6'-2"	ST. #5
1B	3	6	2			7'-0"	ST. #5
1C	7	3	1			7'-3"	ST. #5
2	6	10	2			13'-8"	ST. #5
2A	3	1	2			6'-2"	ST. #5
2B	3	3	2			6'-6"	ST. #5
2C	7	5	1			7'-5"	ST. #5
3	8	10	2			17'-8"	ST. #5
3A	5	11	2			11'-10"	ST. #5
4	10	3	6			61'-6"	ST. #5
4A	7	7	2			15'-2"	ST. #5
4B	8	8	2			17'-4"	ST. #5
4C	9	7	2			19'-2"	ST. #5
5	3	1			2	6'-2"	ST. #5
5A	6	0			2	12'-0"	ST. #5
6	3	10			2	7'-8"	ST. #5
6A	6	7			2	13'-2"	ST. #5
7	4	10			2	9'-8"	ST. #5
7A	7	8			2	15'-4"	ST. #5
8	5	8			2	11'-4"	ST. #5
8A	8	6			2	17'-0"	ST. #5
9	6	6			2	13'-0"	ST. #5
9A	9	5			2	18'-10"	ST. #5
10	10	3			10	102'-6"	ST. #5
10A	7	6			2	15'-0"	ST. #5
10B	7	9			2	15'-6"	ST. #5
10C	8	0			2	16'-0"	ST. #5
10D	8	3			2	16'-6"	ST. #5
10E	8	6			2	17'-0"	ST. #5
11	7	4		8		58'-8"	ST. #5
11A	3	6		16		56'-0"	ST. #5
12	3	2		24		76'-0"	ST. #5
12A	6	1		16		97'-4"	ST. #5
13	8	9		36		315'-0"	ST. #5
14	3	4	36			120'-0"	2' 1'-4" ST. #5
15			1	4		5'-0"	PULLING EYE 1 1/2" X 6" BOLT
CONCRETE	1.94 CU. YDS		3.35 CU. YDS	3.85 CU. YDS	11.14 CU. YDS	3000 PSI	

"TYPE - 3-WAY"
10'-9" X 8'-9" X 7'-0"

MANHOLE COVER & FRAME TU STD 310-050 1 EA. 3'-0" OPENING
 VENDOR: WESTERN IRON WORKS, 21 EAST SIXTH ST. SAN ANGELO TX. 76903
 OR: HEFNER PRECAST, DIVISION OF BROOKS PRODUCTS, 2229 NORTH MAIN, CLEBURNE TX. 76031
 STEEL TO CONFORM TO THE LATEST STANDARD SPECIFICATION FOR DEFORMED BILLET-STEEL BARS FOR CONCRETE REINFORCEMENT.
 SEE DETAIL # 9 FOR CONCRETE SPECIFICATION.
 GENERAL NOTES SIMILAR TO TYPE "C" MANHOLE, SHEET #1

RECORD
DRAWING

TU ELECTRIC

CD

UNIT ID	DWG TYPE	ESTIMATE	W.A.	LIST OF DRAWINGS	APP. JES	ENG. JRC	CH. JRC	OWN. MED	DATE	NO.	W.A.	APP. PRN	REVISION DESCRIPTION	CH.	APP.

NETWORK UNDERGROUND APPURTENANCE SHEETS
MANHOLE DETAILS

E NUA-1
SHEET NO. 4