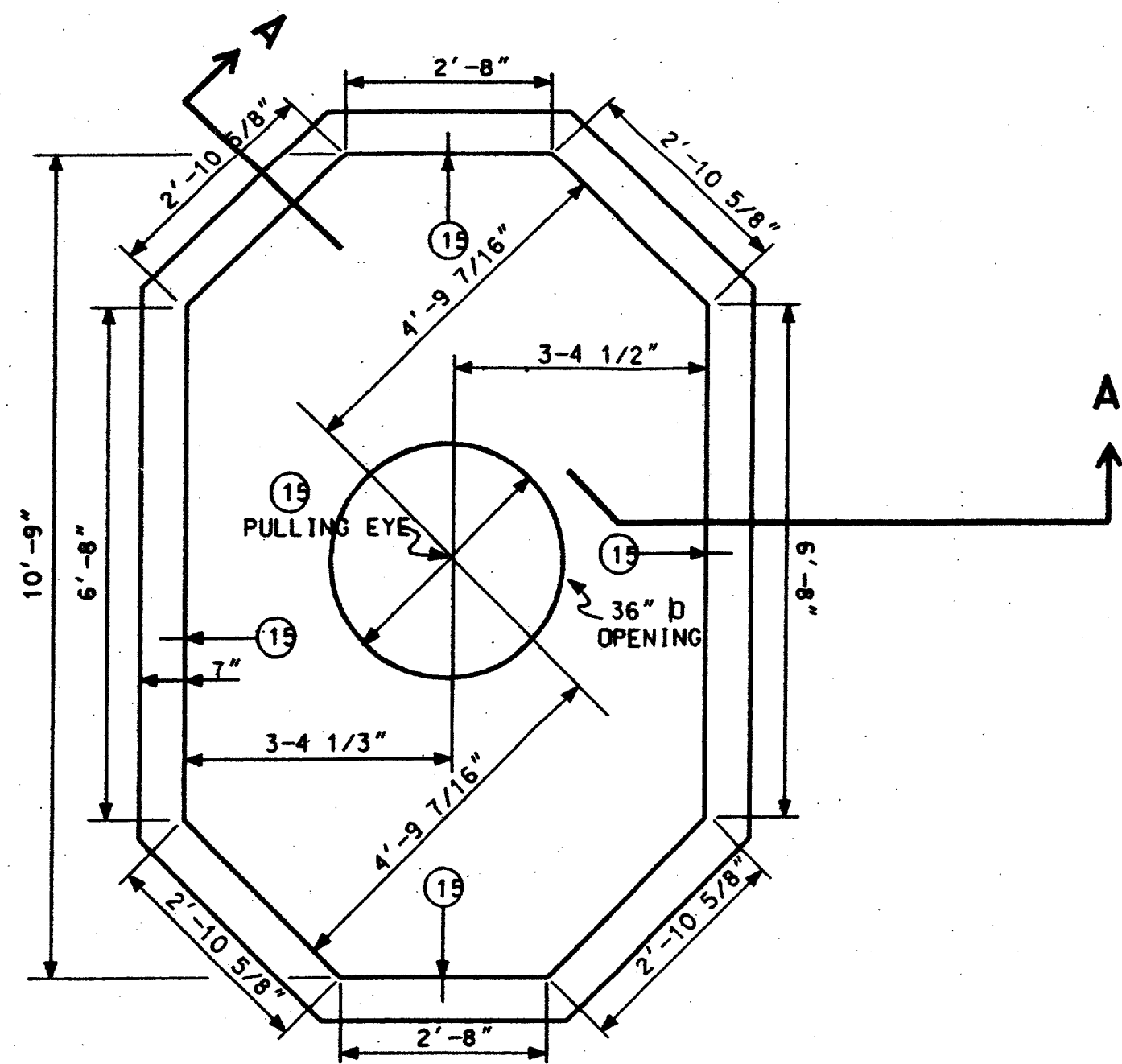
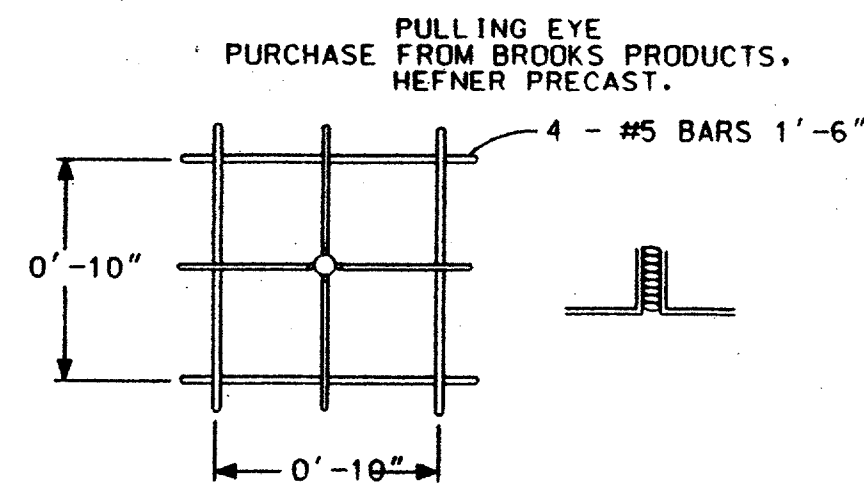


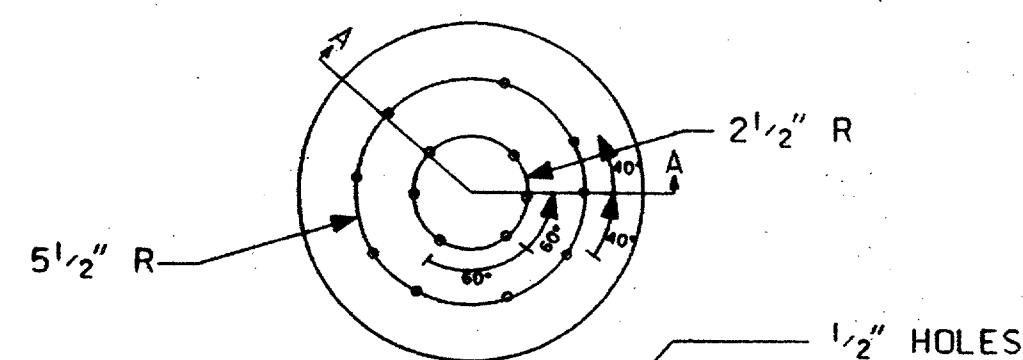
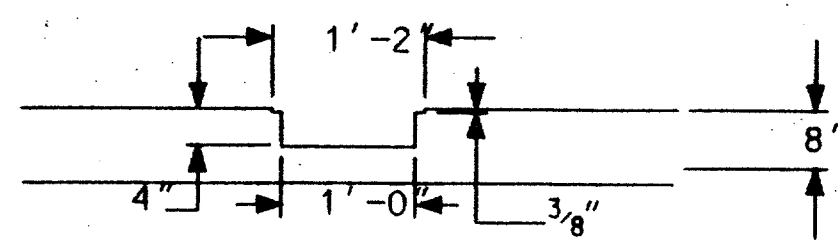
DETAIL # 7



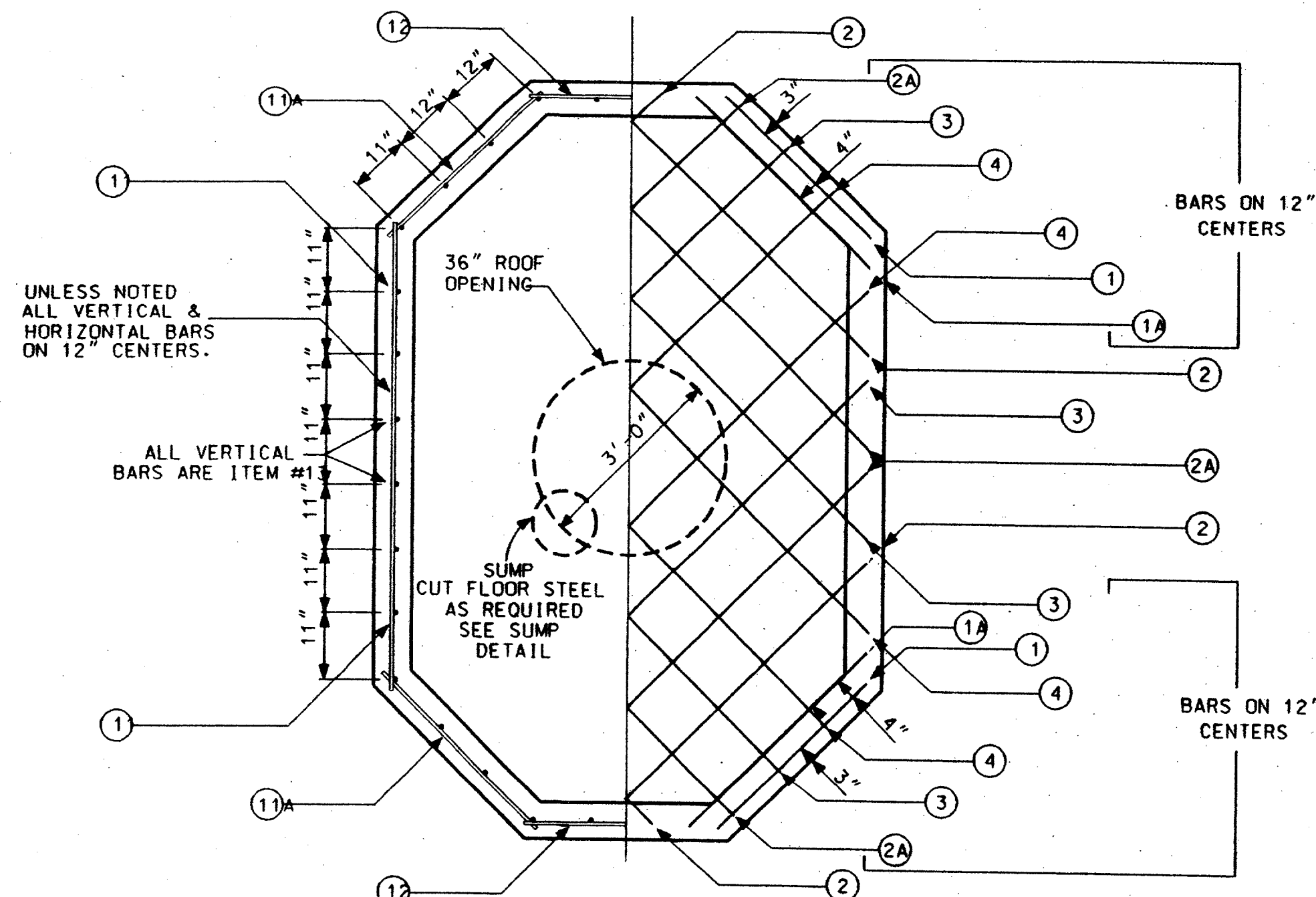
PLAN VIEW



PULLING EYE DETAIL
5 REQUIRED

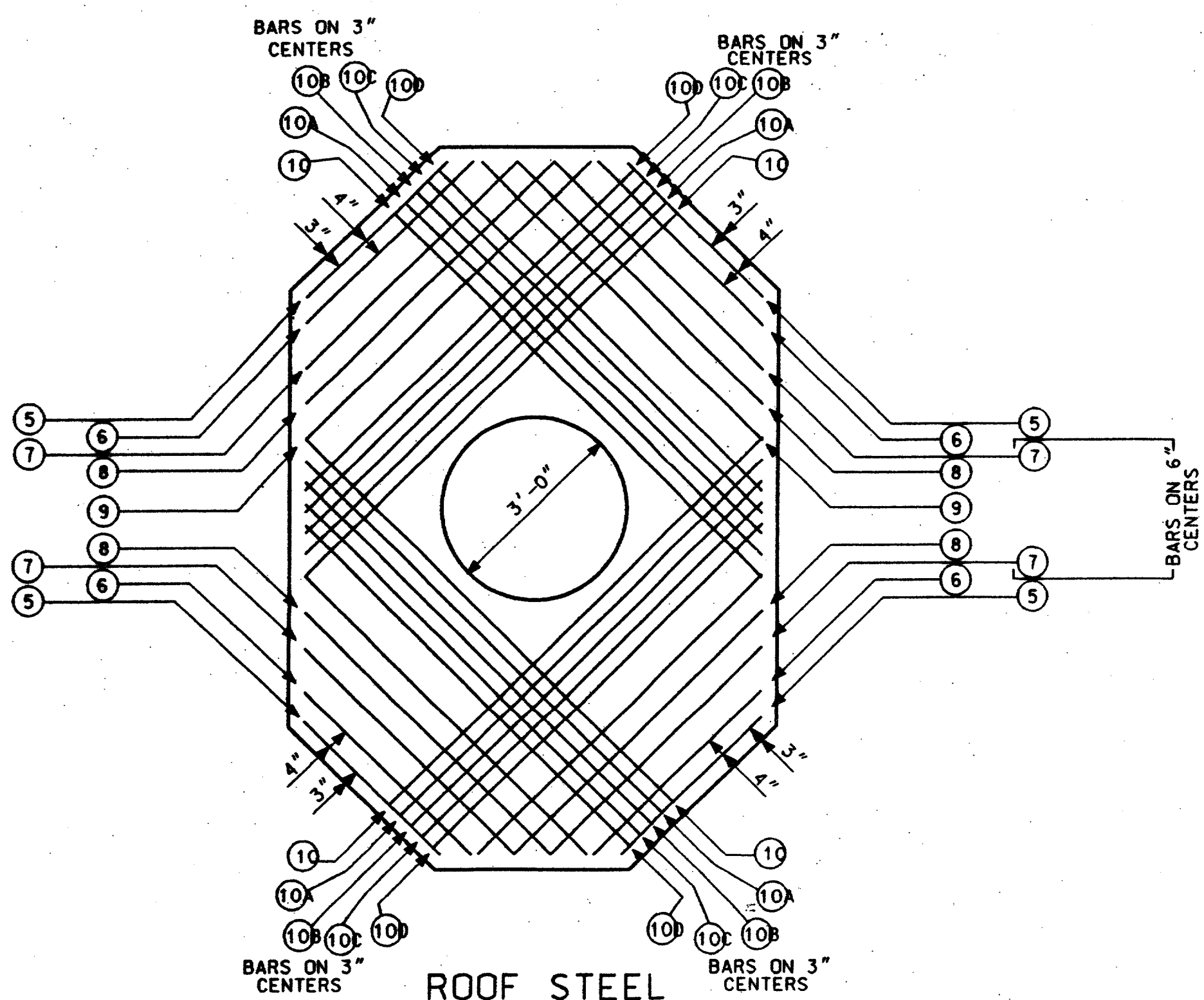


SUMP DETAIL

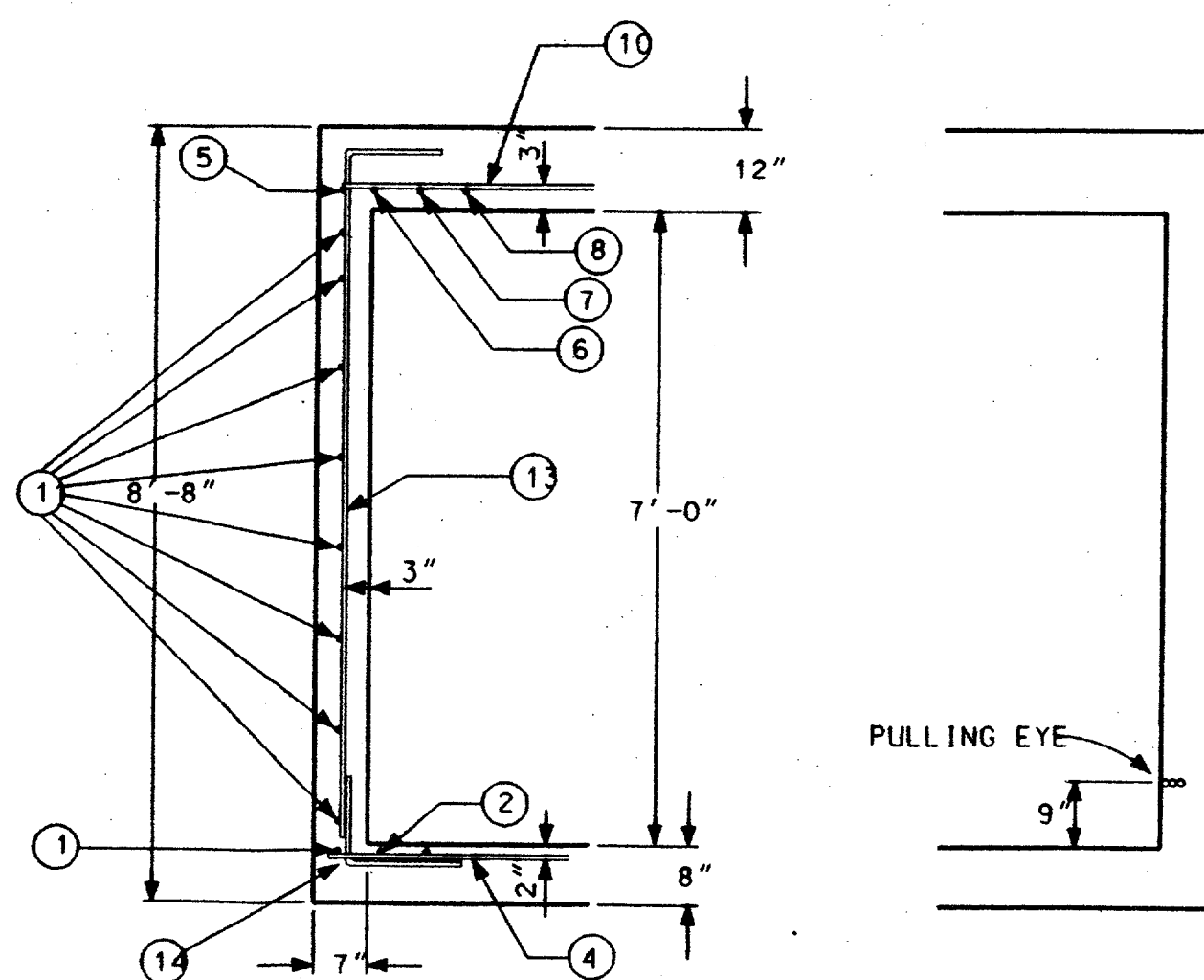


WALL STEEL

FLOOR STEEL



ROOF STEEL



SECTION A - A

MATERIALS FOR POURED IN PLACE MANHOLE									
MARK	LENGTHS		QUANTITY				SHAPE	SIZE	
	FT.	IN.	FLOOR	WALLS	ROOF	TOTAL			
1	3	3	4			13'-0"	ST.	#5	
1A	3	10	4			15'-4"	ST.	#5	
2	5	10	4			23'-4"	ST.	#5	
2A	7	7	4			30'-4"	ST.	#5	
3	8	7	4			34'-4"	ST.	#5	
4	9	7	4			38'-4"	ST.	#5	
5	3	2			4	12'-8"	ST.	#5	
6	3	10			4	15'-4"	ST.	#5	
7	4	10			4	19'-4"	ST.	#5	
8	5	8			4	22'-8"	ST.	#5	
9	6	6			4	26'-0"	ST.	#5	
10	8	6			4	34'-0"	ST.	#5	
10A	8	3			4	33'-0"	ST.	#5	
10B	8	0			4	32'-0"	ST.	#5	
10C	7	9			4	31'-0"	ST.	#5	
10D	7	6			4	30'-0"	ST.	#5	
11	7	4		16		117'-4"	ST.	#5	
11A	3	5		32		109'-4"	ST.	#5	
12	3	2		16		50'-8"	ST.	#5	
13	8	9		36		315'-0"	7'-8"	#5	
14	3	4	36		4	120'-0"	2' x 1'-4"	#5	
15		1	4			5'-0"	PULLING EYE	1 1/2" x 6" ANGLE	
CONCRETE			1.94 CU. YDS.	5.35 CU. YDS.	3.85 CU. YDS.	11.14 CU. YDS.	3000 PSI		
MANHOLE COVER & FRAME TU STD 310-050							1 EA.	3'-0"	
VENDOR: WESTERN IRON WORKS, 21 EAST SIXTH ST. SAN ANGELO TX. 76903								OPENING	
OR: HEFNER PRECAST, DIVISION OF BROOKS PRODUCTS, 2229 NORTH MAIN, CLEBURNE TX. 76031									
STEEL TO CONFORM TO THE LATEST STANDARD SPECIFICATION FOR DEFORMED BILLET-STEEL BARS FOR CONCRETE REINFORCEMENT.									
SEE DETAIL #9 FOR CONCRETE SPECIFICATION									
GENERAL NOTES SIMILAR TO TYPE "B" MANHOLE, SHEET #1.									

"TYPE - 2-WAY"
10'-9" X 6'-9" X 7'-0"

RECORD
DRAWING

10/3/97 ISSUED FOR CONSTRUCTION

E16

TU ELECTRIC

CD

NO.	DATE	BY	CHK.	APP.	DESCRIPTION

SCALE: (H=) (V=) (1"=1'-0")

LIST OF DRAWINGS

W.A. ESTIMATE DWG TYPE UNIT ID

DATE

NO.

W.A.

APP. PRN

APP. JES

ENG. JRC

CH. JRC

DNW. MED

DATE 05-12-92

NETWORK UNDERGROUND
APPURTENANCE SHEETS
MANHOLE DETAILS

E NUA-1
SHEET NO. 5