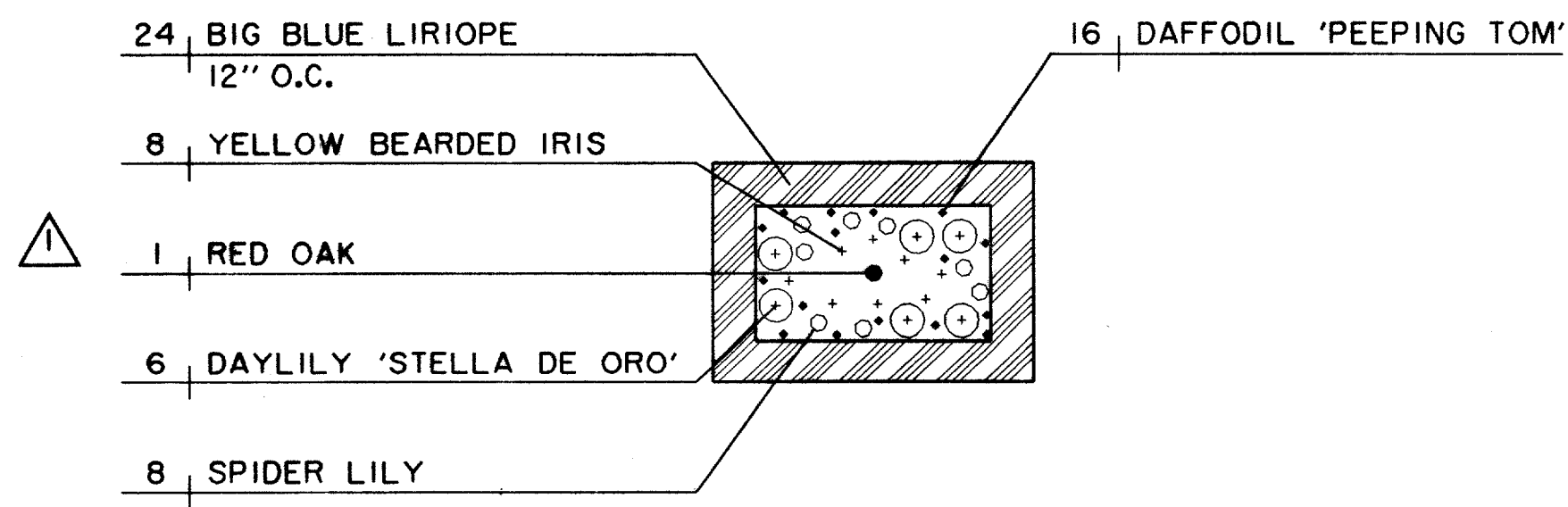
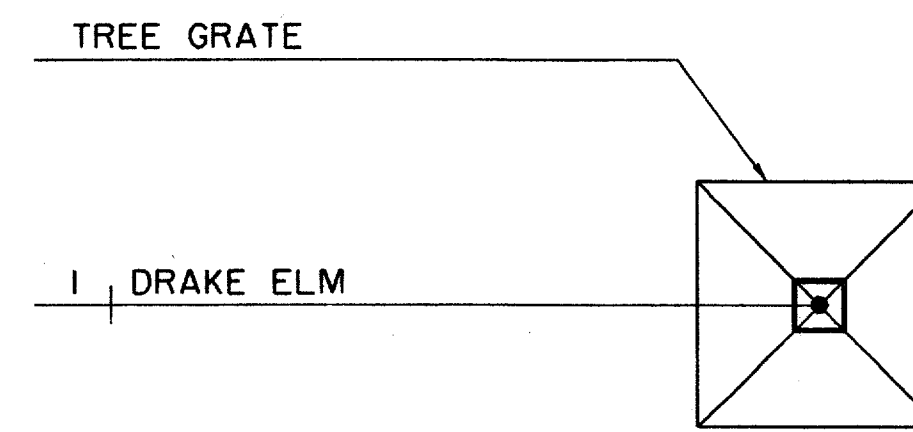


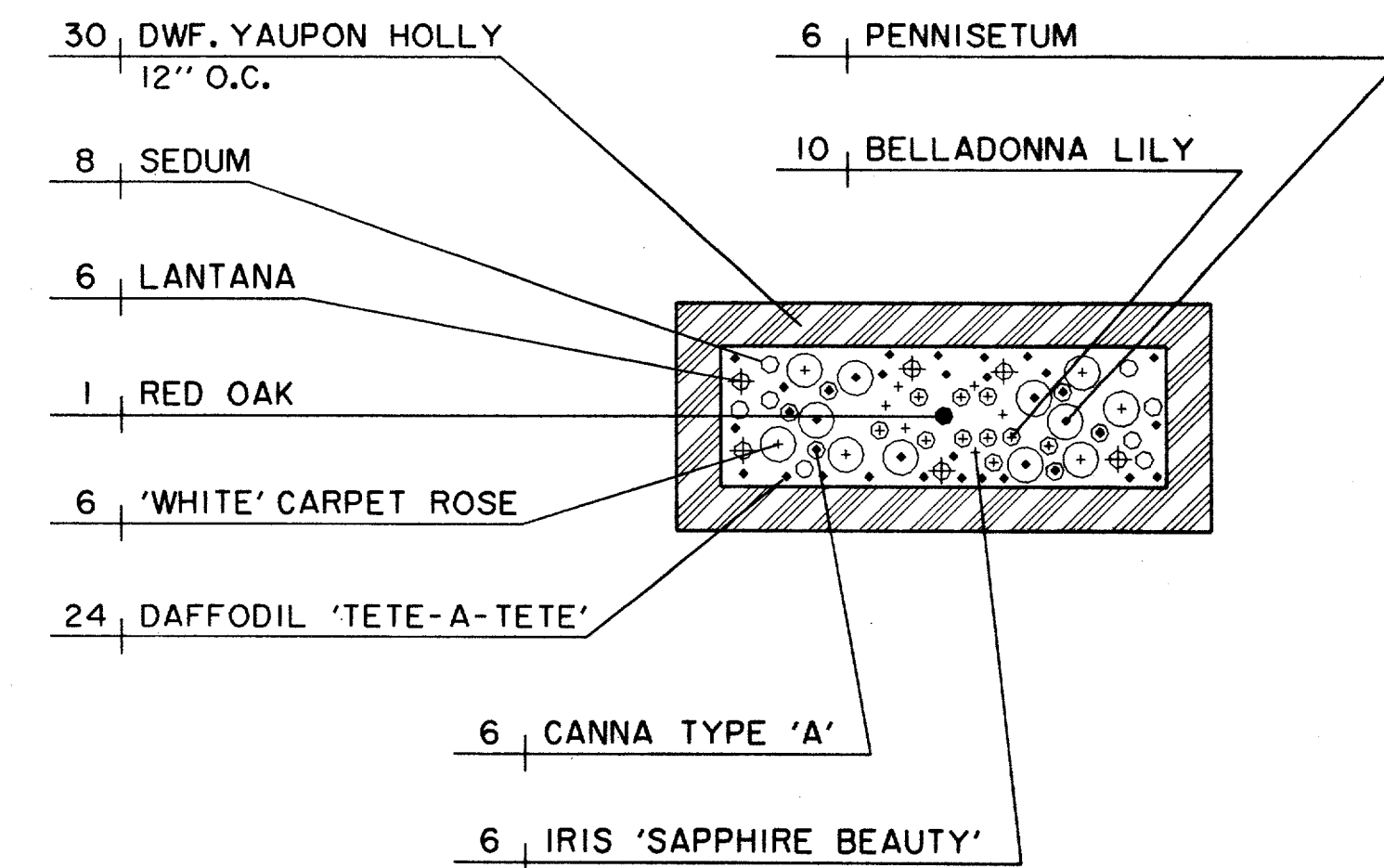
A4 5'X7.5' TREE WELL PLANTING
SCALE: 1/4"=1'-0"



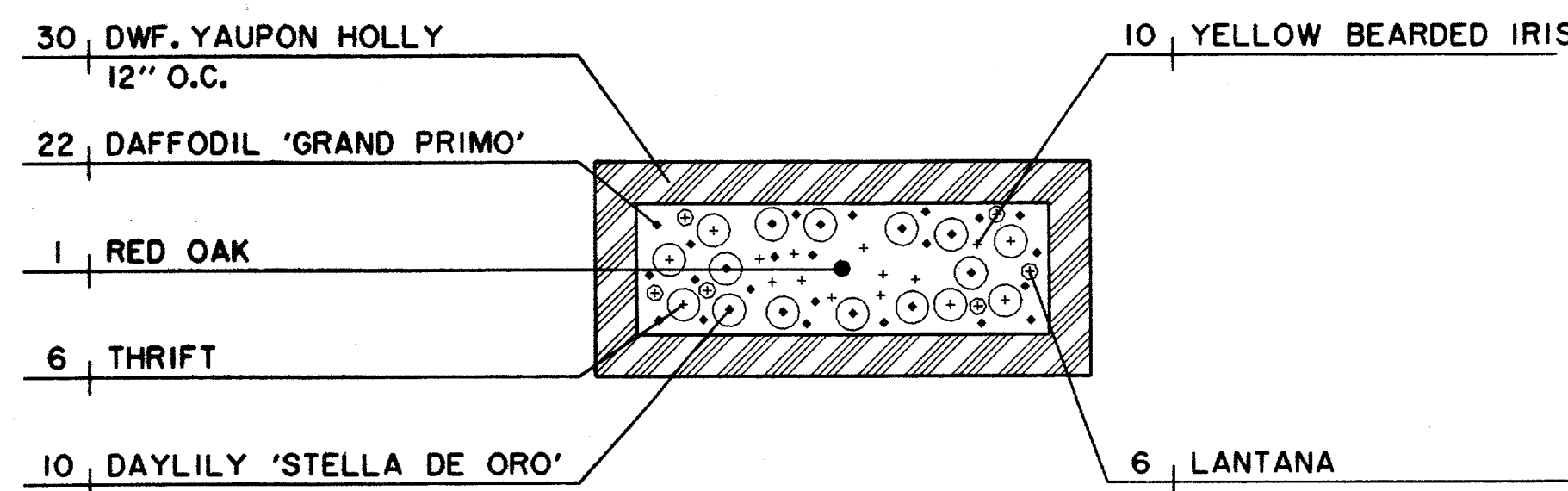
A5 5'X7.5' TREE WELL PLANTING
SCALE: 1/4"=1'-0"



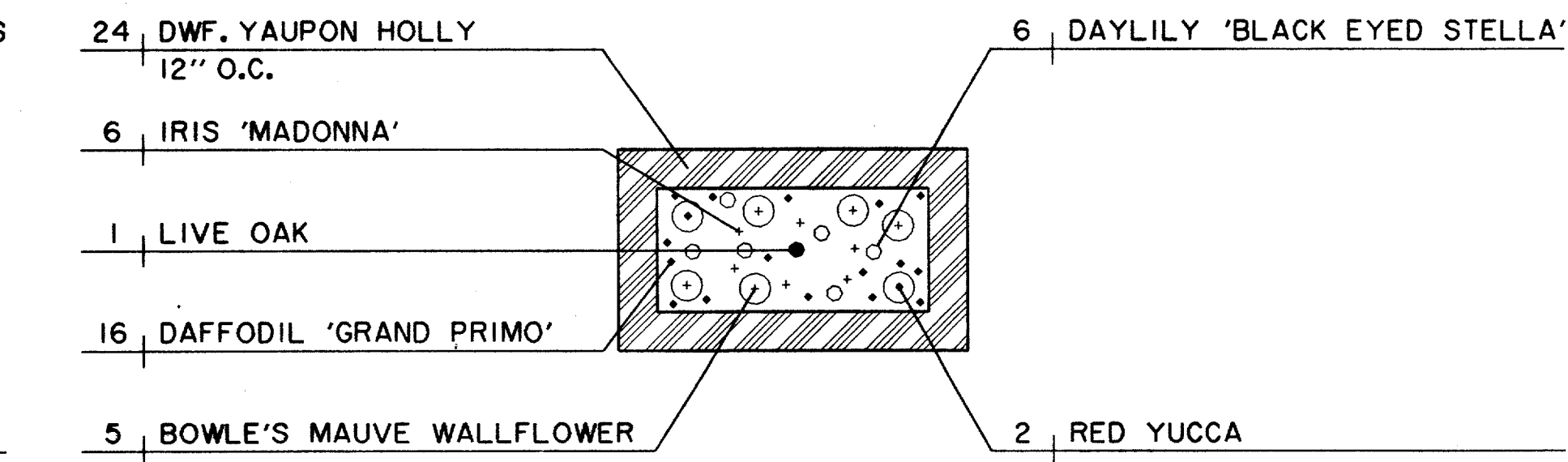
D1 5'X5' TREE WELL PLANTING
SCALE: 1/4"=1'-0"



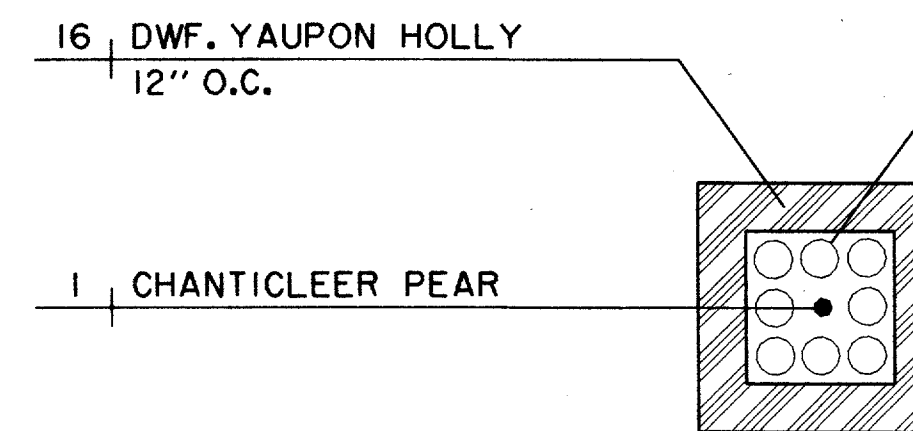
E2 5'X12' TREE WELL PLANTING
SCALE: 1/4"=1'-0"



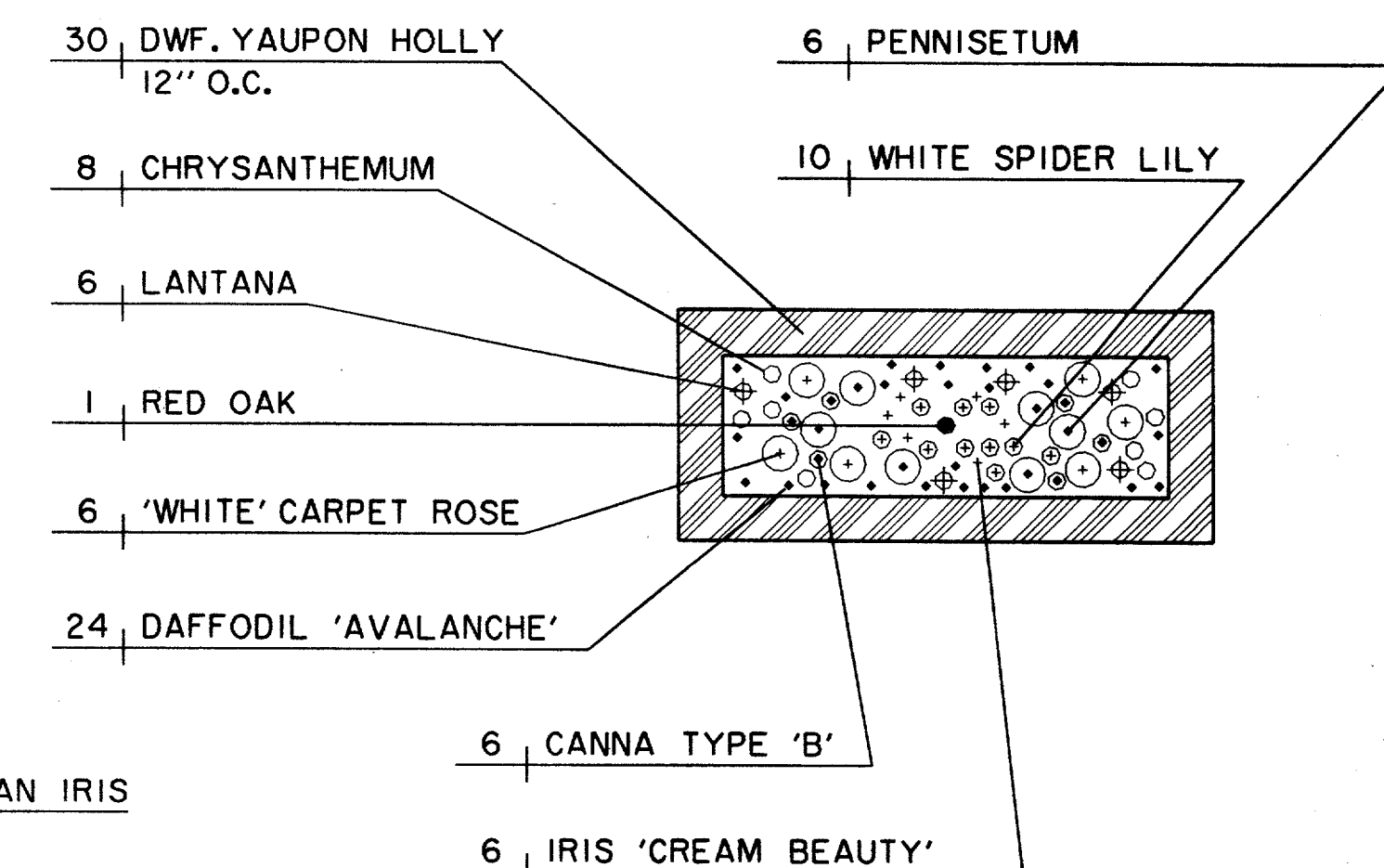
A3 5'X12' TREE WELL PLANTING
SCALE: 1/4"=1'-0"



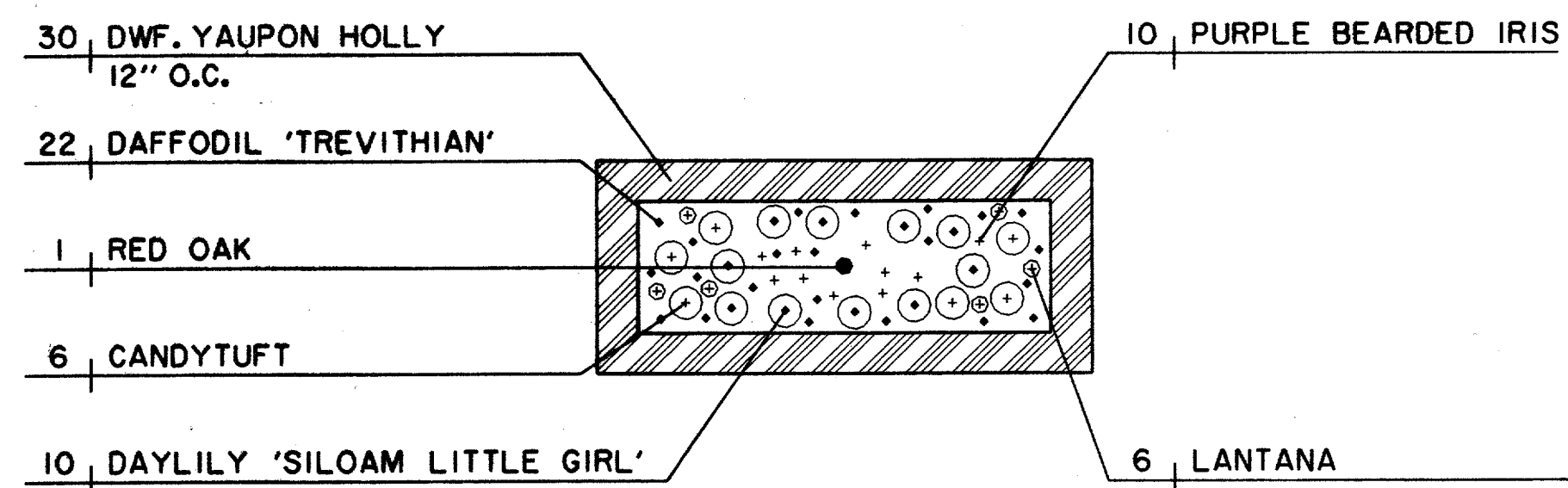
B3 5'X9' TREE WELL PLANTING
SCALE: 1/4"=1'-0"



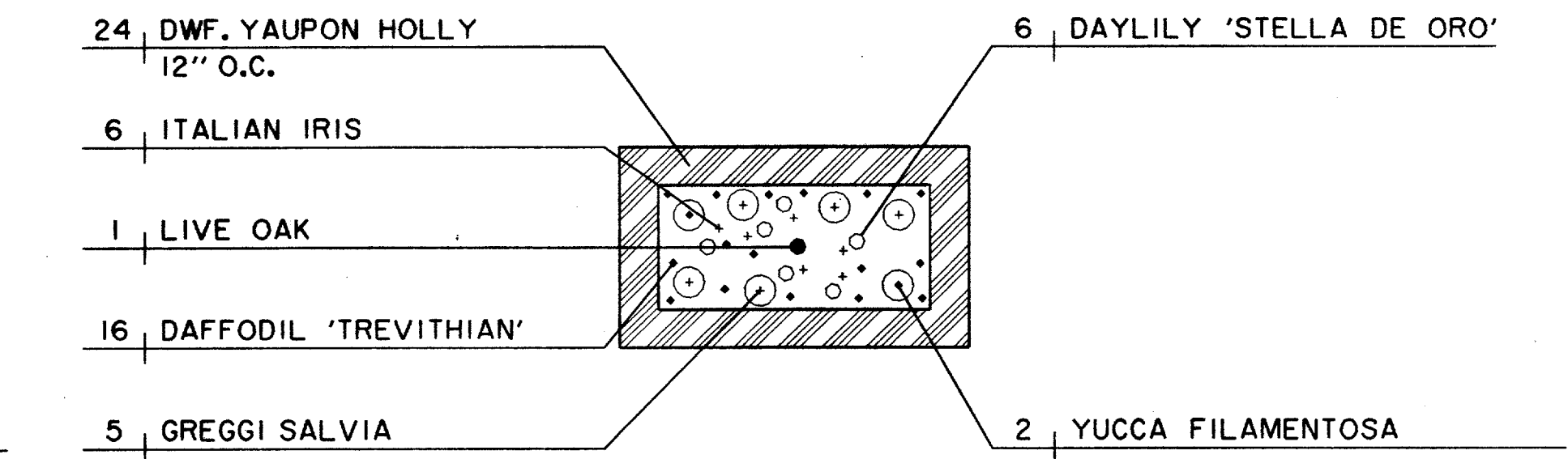
C3 5'X5' TREE WELL PLANTING
SCALE: 1/4"=1'-0"



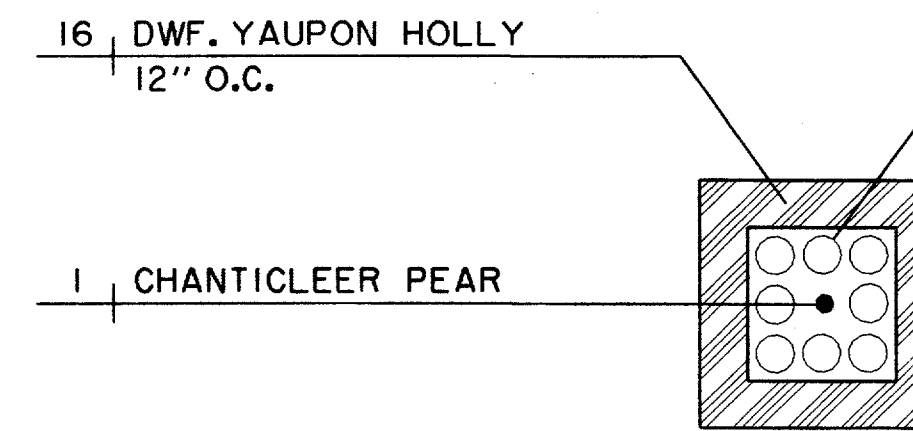
E1 5'X12' TREE WELL PLANTING
SCALE: 1/4"=1'-0"



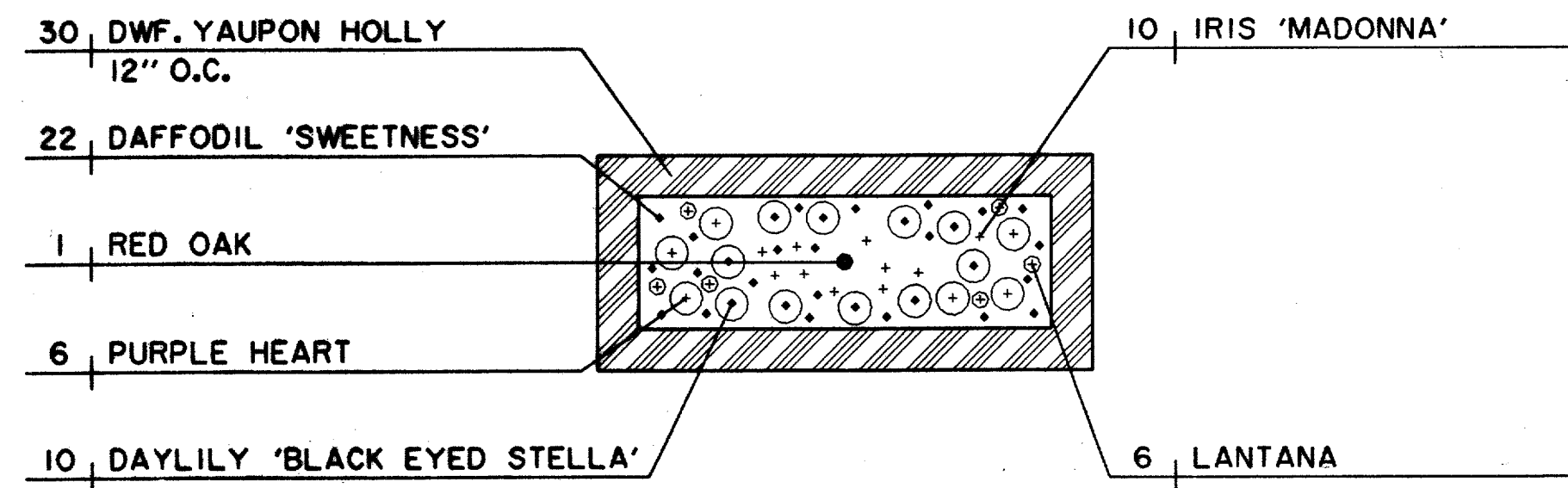
A2 5'X12' TREE WELL PLANTING
SCALE: 1/4"=1'-0"



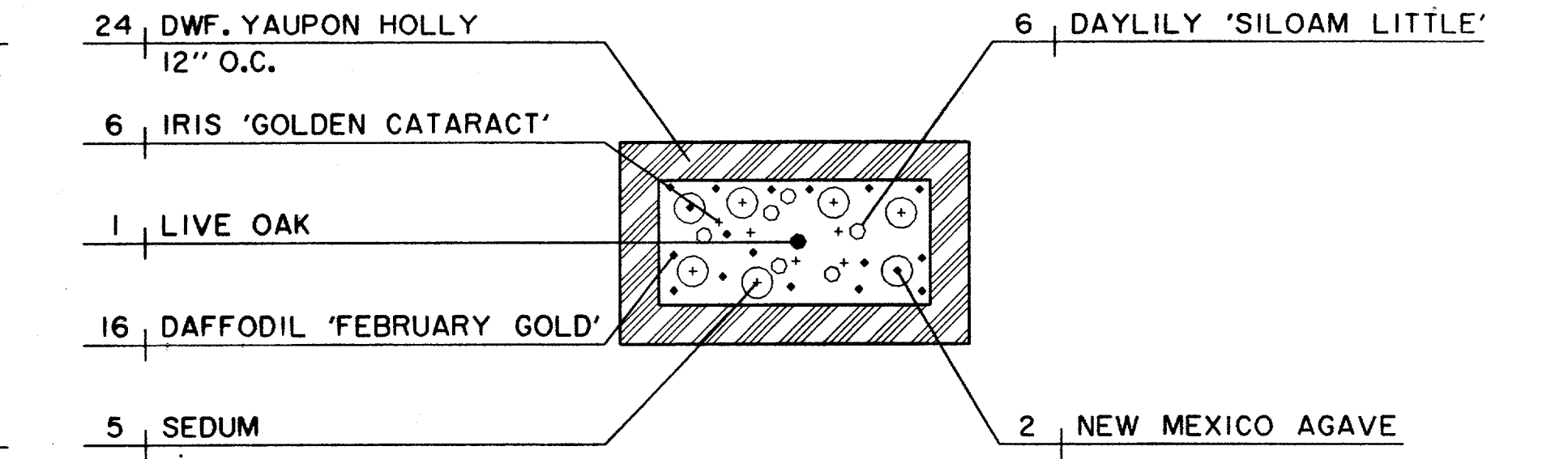
B2 5'X9' TREE WELL PLANTING
SCALE: 1/4"=1'-0"



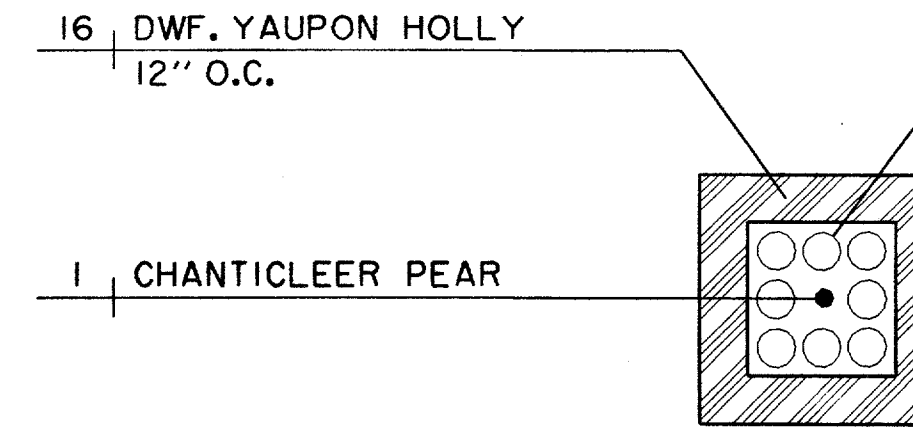
C2 5'X5' TREE WELL PLANTING
SCALE: 1/4"=1'-0"



A1 5'X12' TREE WELL PLANTING
SCALE: 1/4"=1'-0"

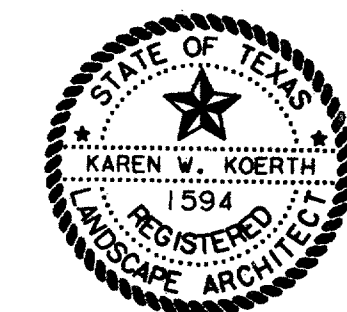


B1 5'X9' TREE WELL PLANTING
SCALE: 1/4"=1'-0"



C1 5'X5' TREE WELL PLANTING
SCALE: 1/4"=1'-0"

THE SEAL APPEARING ON THIS DOCUMENT WAS AUTHORIZED BY KAREN W. KOERTH, L.A. 1594



RECORD DRAWING

DATE	DESCRIPTION	REF NO.
10/28/98	CHANGED LIVE OAK TO RED OAK (A4 & A5)	△
10/3/97	ISSUED FOR CONSTRUCTION	N/A
7/14/97	ISSUED FOR BID	N/A

PLANTING DETAILS						
ADDISON CIRCLE						
PHASE II PUBLIC INFRASTRUCTURE						
TOWN OF ADDISON, TEXAS						
Huitt-Zollars, Inc./Engineering/Architecture Dallas, Fort Worth, Houston, El Paso, Phoenix, Tustin, Ontario						
DESIGN	DRAWN	APPR.	SCALE	DATE	PROJECT NO.	NO.
HZI	HZI	KWK	1/4"=1'	OCT. 97	01-1822-21	PF9